

NF 6034 SH

Model number:

141385

Dimensions: 60" x 34" x 74"

Installation: Alcove

Material: AcrylX™



Standard Features:

- Maximized showering space
- Integrated toiletry shelves
- AcrylX™ applied acrylic finish
- Center drain
- Limited lifetime warranty
- Optional reinforced walls

Product characteristics:

- AcrylX™
- One-Piece Unit
- Integrated Shelving

Warranty:

Lifetime limited

Standard colors:



White (002)



Bone (004)



Biscuit (007)

Certifications

ABG products adhere to one or more of the following certifications:



Options (Visit our website for a complete list of our options)

No	Description
<input type="checkbox"/> OPT 10189	Three wall reinforcement for future grab installation
<input type="checkbox"/> OPT 20212-B	Back Wall reinforcement (one wall) for future grab bar installation
<input type="checkbox"/> OPT 20212-L	Left Wall reinforcement (one wall) for future grab bar installation
<input type="checkbox"/> OPT 20212-R	Right Wall reinforcement (one wall) for future grab bar installation
<input type="checkbox"/> OPT 20316	Builder backing for future grab bars - 60" showers

NF 6034 SH

Model number:

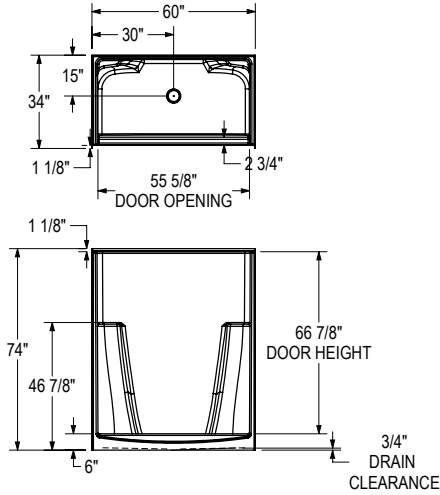
141385

Dimensions: 60" x 34" x 74"

Installation: Alcove

Material: AcryIX™

STANDARD MODEL



Dimensions:

60 x 34 x 74 in.

Weight:

140 lbs -

Shape:

Rectangular

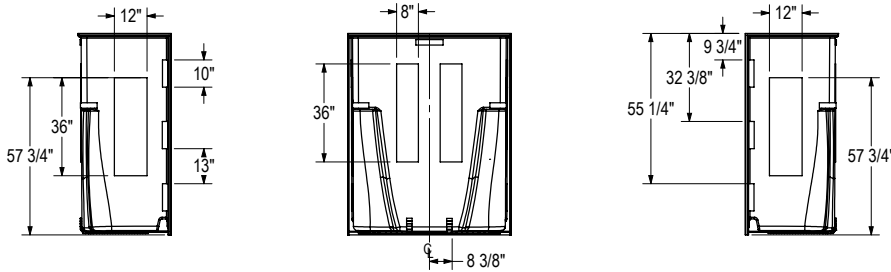
Pieces:

1

Drain location:

No seat, center drain

REINFORCEMENT BACKING



All dimensions are approximate. Structure measurements must be verified against the unit to ensure proper fit.

Project:

Contractor:

Representative:

Date:

Tel:

Notes: