

# OPS-6036 - MASS Grab Bar and Seat Shower

**Model number:**

141368

**Dimensions:** 63" x 39" x 79"

**Installation:** Alcove

**Material:** AcryIX™



## Standard Features:

- 1-piece roll-in shower reinforced according to FHA accessibility requirements
- One horizontal Straight 48" textured Stainless Steel grab bar and one rectangular fold up Naugahyde white seat
- Center drain
- Textured bottom
- 1 1/8" skirt and 1/2" high threshold

## Product characteristics:

- One-Piece Unit
- MASS
- Grab Bars & Seats Available

## Warranty:

Lifetime limited

## Standard colors:



White (002)



Bone (004)



Biscuit (007)

## Certifications

ABG products adhere to one or more of the following certifications:



## Options (Visit our website for a complete list of our options)

No	Description
<input type="checkbox"/> OPT 20259	60" Curtain rod
<input type="checkbox"/> OPT 20059-084	Recessed soap dish (Drilled, not installed) in chrome

# OPS-6036 - MASS Grab Bar and Seat Shower

**Model number:**

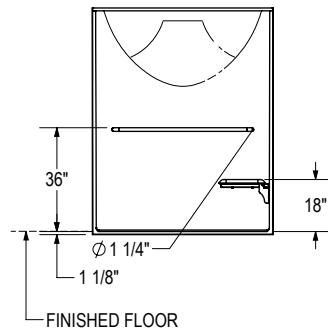
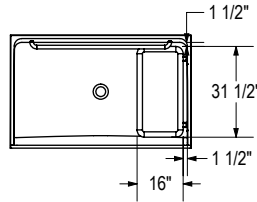
141368

**Dimensions:** 63" x 39" x 79"

**Installation:** Alcove

**Material:** AcryIX™

BASE MODEL WITH MASS GRAB BAR & SEAT PACKAGE  
LEFT SIDE SHOWN  
RIGHT SIDE SYMMETRICAL



All dimensions are approximate. Structure measurements must be verified against the unit to ensure proper fit.

## Dimensions:

62 1/2 x 39 1/4 x 78 3/4 in.

## Weight:

225 lbs -

## Shape:

Rectangular

## Pieces:

1

## Drain location:

Left seat, center drain

Right seat, center drain

Project:

Contractor:

Representative:

Date:

Tel:

Notes: