

TECHNICAL SPECIFICATIONS

S-42

MODEL NUMBER 141025

DIMENSIONS: 42" x 35 1/4" x 72" Gelcoat



STANDARD FEATURES

- One-piece gelcoated fiberglass shower
- Built-in wide corner shelves
- Center drain
- Textured floor
- Optional unique feature: Reinforced walls

UNIQUE FEATURES

- None

OPTIONS

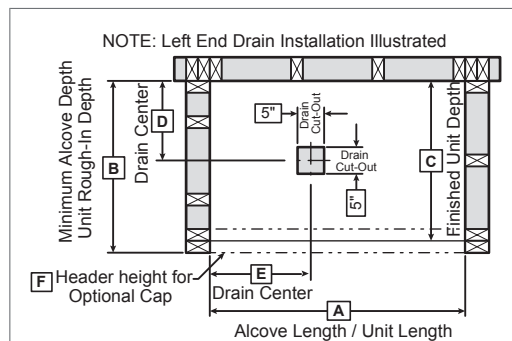
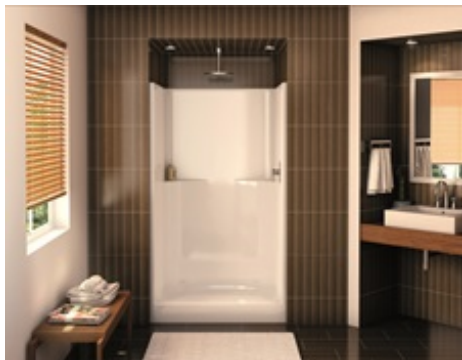
- All walls reinforced
- Wall reinforcement (one wall)

SYSTEMS

- None

DOOR SELECTION

Combine with AKER's complete shower door offering visit www.akerbymaax.com



Model	A	B	C	D	E
141025	42"	36 3/4"	35 1/4"	18 1/4"	21"

Project :

Contractor :

AKER Representative : Tel :

Date :

CERTIFICATIONS

AKER products adhere to one or more of the following certifications:

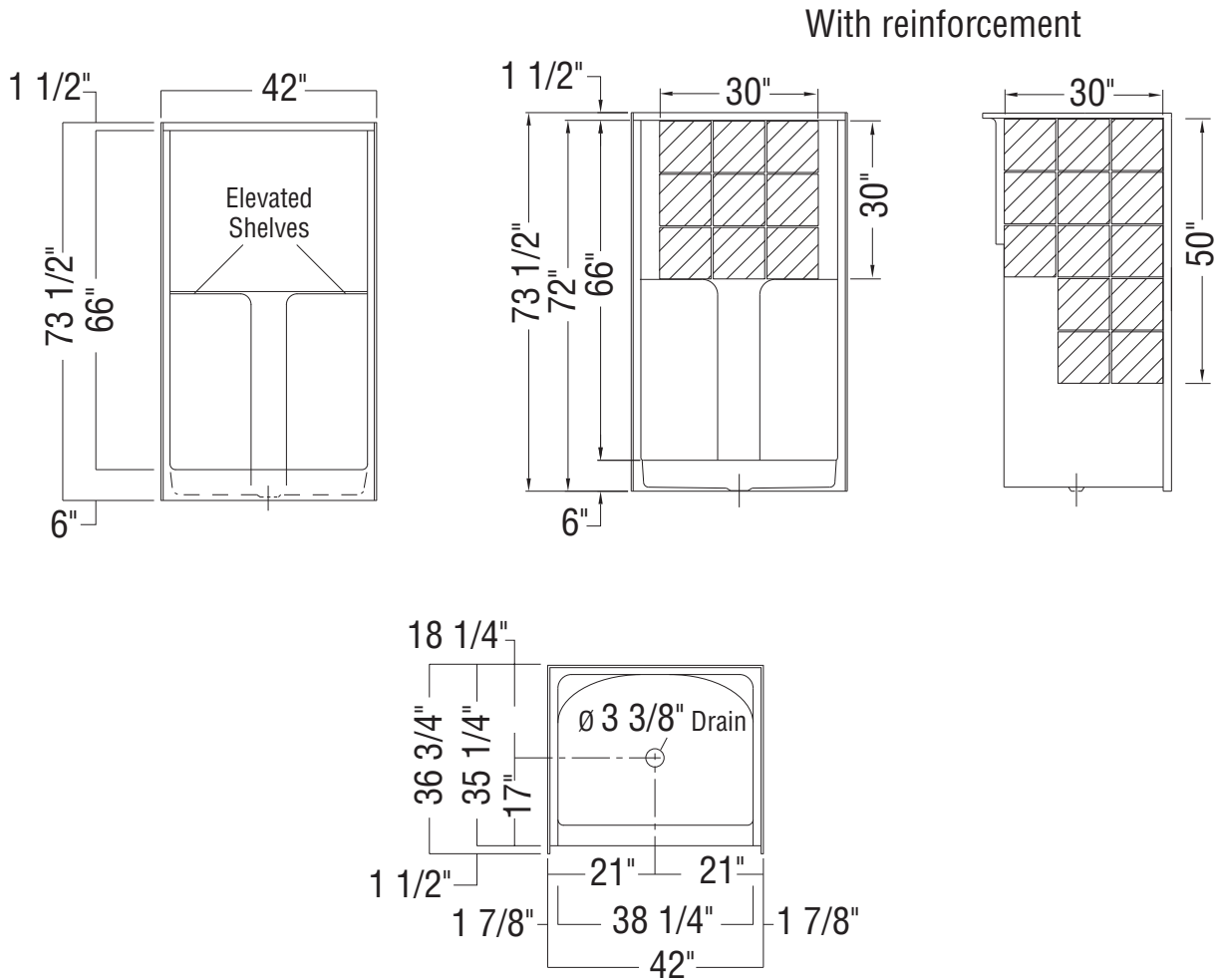


TECHNICAL SPECIFICATIONS

S-42

MODEL NUMBER 141025

TECHNICAL DRAWINGS



All dimensions are approximate. Structure measurements must be verified against the unit to ensure proper fit.