

# TECHNICAL SPECIFICATIONS

## TOF-3260

**MODEL NUMBER 142014**

DIMENSIONS: 59 3/4" x 32" x 19 1/8" Gelcoat



### STANDARD FEATURES

- 3 inch Wrap around backsplash
- Tile adaptor required for door installation
- Integrated apron and tiling flange
- 3 3/8 inch Above-the-Floor Rough available
- Textured floor
- Right or left drain
- Alcove installation
- 14 3/8 inch Deep sump
- Bottom bathing well : 44 1/8 inch L x 21 5/8 inch W

### UNIQUE FEATURES

- Tiling Flange

### OPTIONS

- Pump position opposite standard position
- In-line heater (factory-installed)
- Tile Adaptor (for door installation)

### SYSTEMS

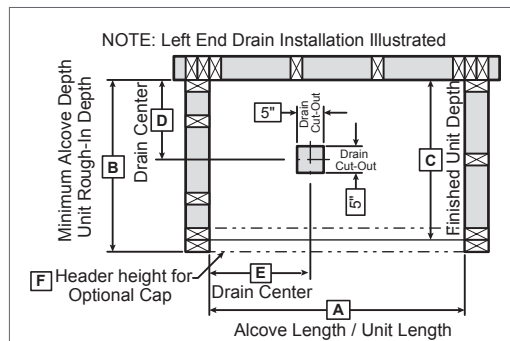
Homestead **DOOR**

### SELECTION

Combine with AKER's complete shower door offering visit [www.akerbymax.com](http://www.akerbymax.com)

### CERTIFICATIONS

AKER products adhere to one or more of the following certifications:



Model	A	B	C	D	E
142014	60"	33"	32"	14 3/4"	8 1/4"

Project : .....

Contractor : .....

AKER Representative : ..... Tel : .....

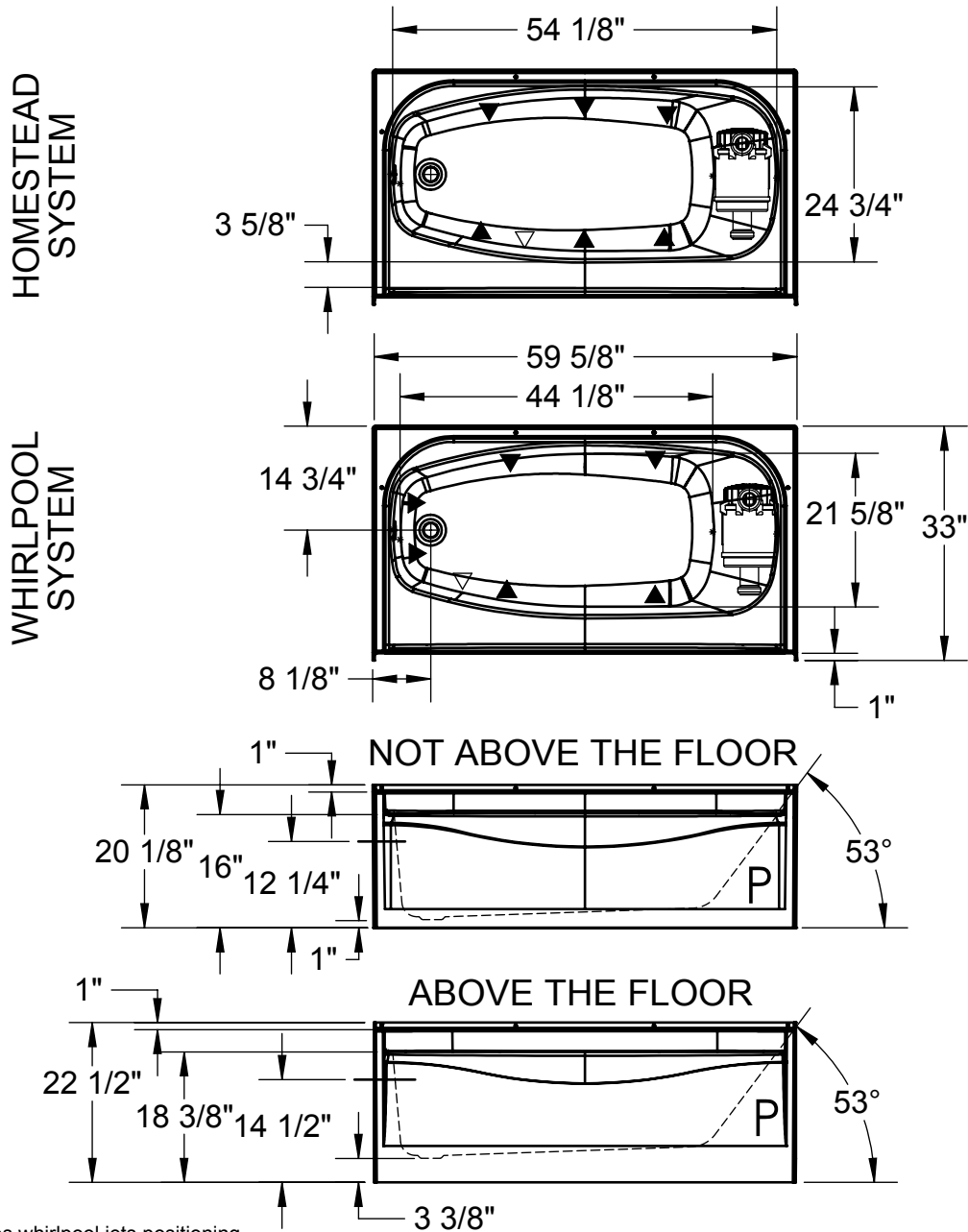
Date : .....

# TECHNICAL SPECIFICATIONS

## TOF-3260

MODEL NUMBER 142014

### TECHNICAL DRAWINGS



( ▲ ): Indicates whirlpool jets positioning

( △ ): Indicates suction positioning

All dimensions are approximate. Structure measurements must be verified against the unit to ensure proper fit.