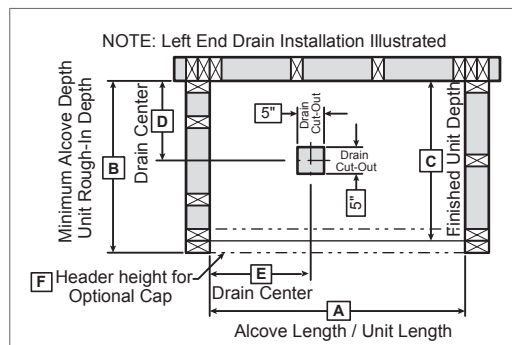


# TECHNICAL SPECIFICATIONS

## KDS 3448 AFR

**MODEL NUMBER 142031**

DIMENSIONS: 47 7/8" x 33 5/8" x 82 1/4" Gelcoat



Model	No Seat					Seat
	A	B	C	D	E	D
142030	48"	34 1/2"	33 1/2"	14 1/8"	24"	24"

### STANDARD FEATURES

- Four-piece gelcoated fiberglass shower with PIN system for easy front installation
- Large top corner shelves, wide soap dish and standard acrylic handle (opt. metallic finishes)
- Right/left-hand seat or no seat
  - Center drain • Textured floor
- Optional unique features: Reinforced walls and grab bars
- Above-the-Floor Rough (AFR)

### UNIQUE FEATURES

- Above-the-Floor Rough (AFR)
- PIN system

### OPTIONS

- Shower base only KDS 3448 AFR with pin system
- Side walls (right and left) for KDS 3448 & 3460
- Back wall for KDS 3448
- Pre-assembled unit
- 18" Modern straight grab bar
- 24" Modern straight grab bar

### SYSTEMS

- None

### DOOR SELECTION

Combine with AKER's complete shower door offering visit [www.akerbymax.com](http://www.akerbymax.com)

### CERTIFICATIONS

AKER products adhere to one or more of the following certifications:



Project : .....

Contractor : .....

AKER Representative : ..... Tel : .....

Date : .....

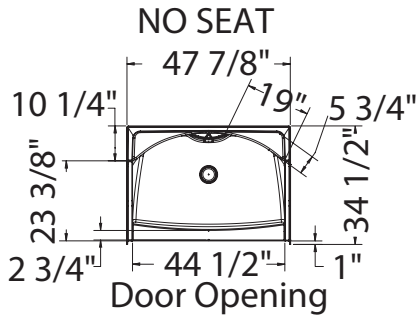
# TECHNICAL SPECIFICATIONS

## KDS 3448 AFR

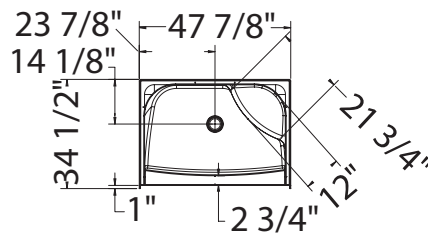
MODEL NUMBER 142031

### TECHNICAL DRAWINGS

#### STANDARD

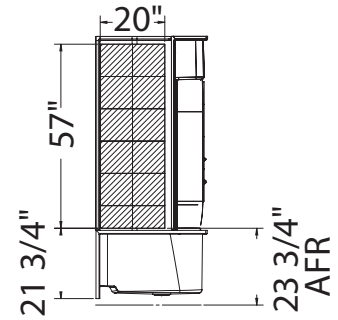


#### RIGHT SEAT SHOWN LEFT SEAT SYMMETRICAL

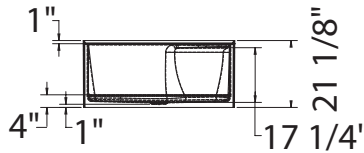


#### REINFORCEMENT BACKING

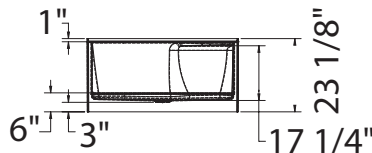
##### OPTION 20212-L Shown OPTION 20212-R Symetrical



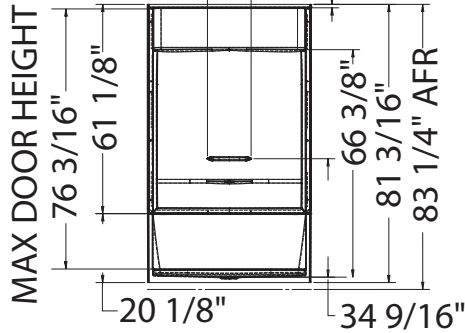
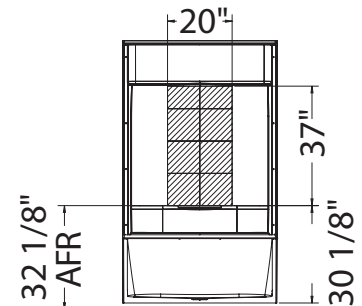
#### NOT ABOVE-THE-FLOOR



#### ABOVE-THE-FLOOR

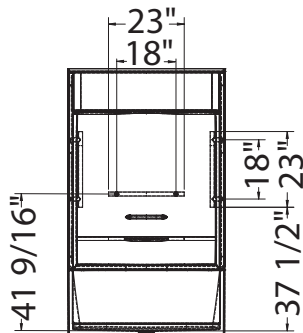


##### OPTION 20212-B

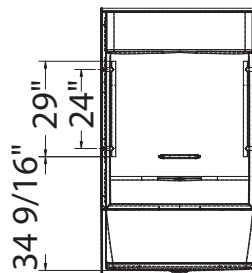


#### GRAB BARS

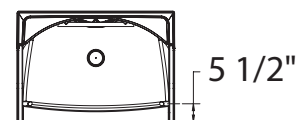
##### OPTION 20203



##### OPTION 20204



##### OPTION 20203-20204



All dimensions are approximate. Structure measurements must be verified against the unit to ensure proper fit.