

# TECHNICAL SPECIFICATIONS

## OPS-6030 - with ADA Grab Bar

**MODEL NUMBER 141289**

DIMENSIONS: 60" x 30 1/4" x 76 5/8" Gelcoat



### STANDARD FEATURES

- 1-piece roll-in shower reinforced according to FHA accessibility requirements
- One horizontal U-shaped grab bar (27" x 60" x 27")
- Center drain
- Textured bottom
- 1 1/8" skirt and 1/2" high threshold

### UNIQUE FEATURES

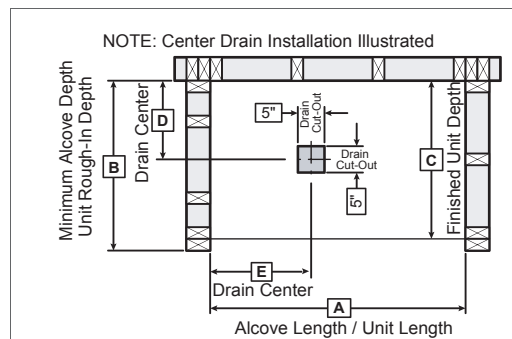
- None

### OPTIONS

- 72 in. White vinyl shower curtain with Stainless Steel hooks
- Chrome recessed soap dish (drilled, not installed)
- Solid Brass drain with Chrome plated Stainless Steel grid
- 60" Curtain rod

### SYSTEMS

- None



Model	A	B	C	D	E
141287	62 7/8	33 1/4	32 1/4	15 1/2	31 3/8

Project : .....

Contractor : .....

AKER Representative : ..... Tel : .....

Date : .....

### CERTIFICATIONS

AKER products adhere to one or more of the following certifications:



TECHNICAL SPECIFICATIONS

# OPS-6030 - with ADA Grab Bar

MODEL NUMBER 141289

TECHNICAL DRAWINGS

BASE MODEL WITH ADA U-SHAPED GRAB BAR PACKAGE

