

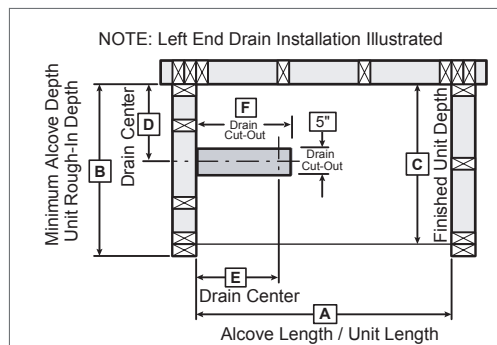
TECHNICAL SPECIFICATIONS



TO-4260 - Job pack of 4 bathtubs

MODEL NUMBER 141361

DIMENSIONS: 60" x 41" x 16" Gelcoat



Model	A	B	C	D	E	F
141354	60	42	41	20 1/2	8 1/2	11

STANDARD FEATURES

- Meets FHA accessibility requirements
- Integrated tiling flange
- 14 1/4" deep sump
- Bottom bathing well : 48" L x 26 1/2" W
- Textured floor
- Right or left drain
- Alcove installation
- Job pack of 4 bathtubs

UNIQUE FEATURES

- Tiling Flange

OPTIONS

- None

SYSTEMS

- None

\$BUILDERSPECDOORSELECTIONTITLE

Combine with AKER's complete shower door offering visit www.akerbymaax.com

Project :
 Contractor :
 AKER Representative : Tel :
 Date :

CERTIFICATIONS

AKER products adhere to one or more of the following certifications:



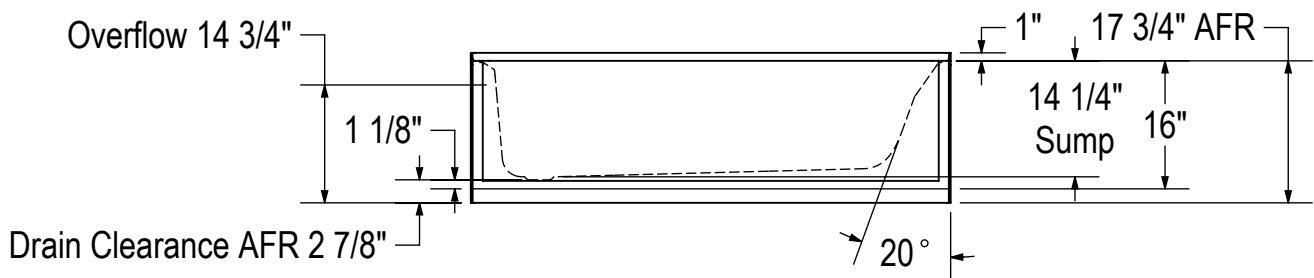
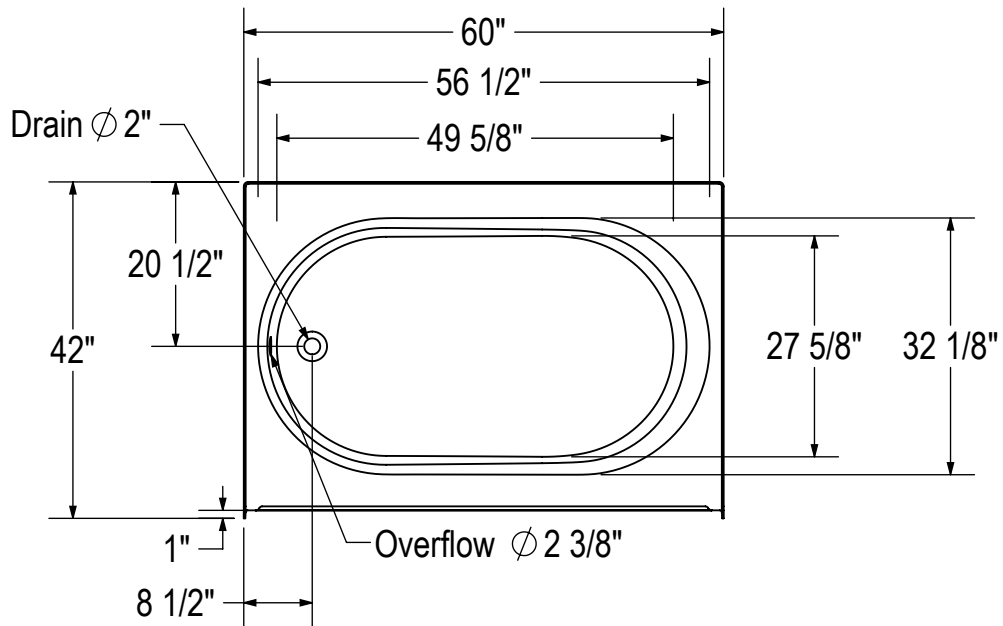
TECHNICAL SPECIFICATIONS



TO-4260 - Job pack of 4 bathtubs

MODEL NUMBER 141361

TECHNICAL DRAWINGS



All dimensions are approximate. Structure measurements must be verified against the unit to ensure proper fit.

2017-08-10