

TECHNICAL SPECIFICATIONS

KDS 3232 AFR

MODEL NUMBER 142019

DIMENSIONS: 31 7/8" x 32" x 79 1/2" Gelcoat



STANDARD FEATURES

- Four-piece gelcoated fiberglass shower with PIN system for easy front installation
- Large top corner shelves, footrests and standard acrylic handle (opt. metallic finishes)
- Center drain • Textured floor
- Optional unique features: Reinforced walls and grab bars
- Above-the-Floor Rough (AFR)

UNIQUE FEATURES

- Above-the-Floor Rough (AFR)
- PIN system

OPTIONS

- Shower base only KDS 3232 AFR with pin system
- Side walls (right and left) for KDS 3232 and KDS 3636
- Back wall for KDS 3232
- Pre-assembled unit
- 18" Modern straight grab bar
- 24" Modern straight grab bar

SYSTEMS

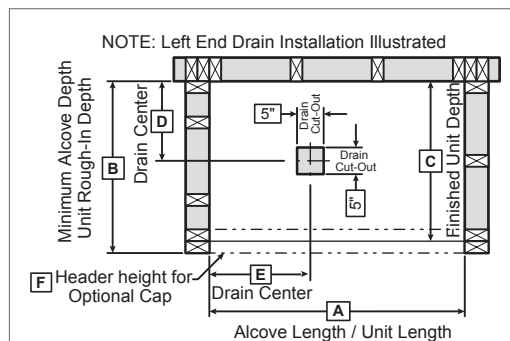
- None

DOOR SELECTION

Combine with AKER's complete shower door offering visit www.akerbymax.com

CERTIFICATIONS

AKER products adhere to one or more of the following certifications:



| Model | A | B | C | D | E |
|--------|-----|-----|-----|---------|-----|
| 142018 | 32" | 33" | 32" | 15 1/4" | 16" |

Project :

Contractor :

AKER Representative : Tel :

Date :

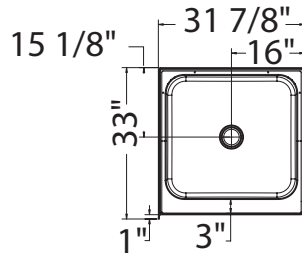
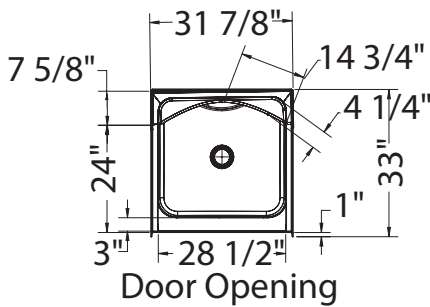
TECHNICAL SPECIFICATIONS

KDS 3232 AFR

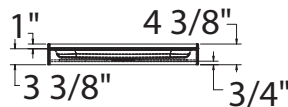
MODEL NUMBER 142019

TECHNICAL DRAWINGS

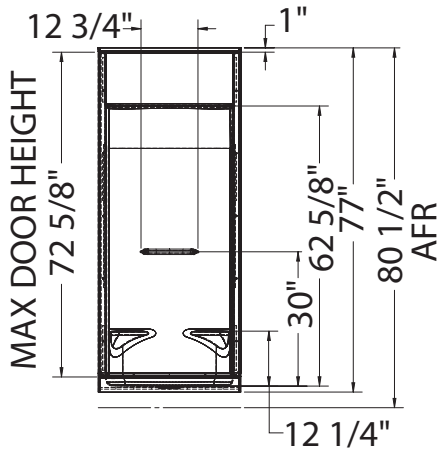
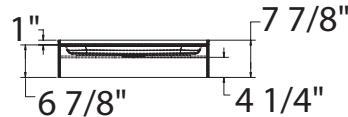
STANDARD



NOT ABOVE-THE-FLOOR

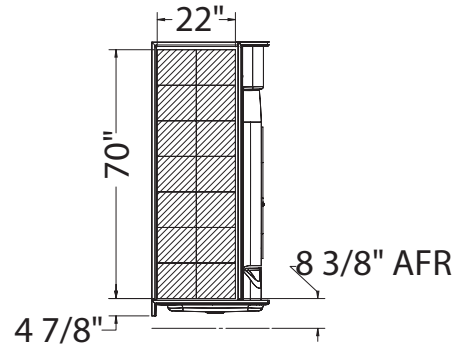


ABOVE-THE-FLOOR

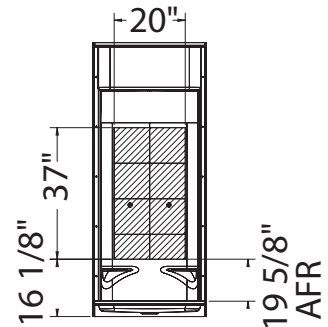


REINFORCEMENT BACKING

OPTION 20212-L Shown
OPTION 20212-R Symetrical

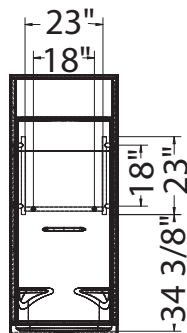


OPTION 20212-B

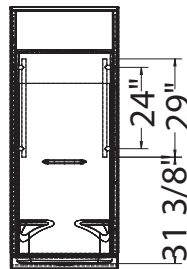


GRAB BARS

OPTION 20203



OPTION 20204



OPTION 20203-20204

