

TECHNICAL SPECIFICATIONS

OPS-3636-RS - with ANSI grab bars and seat

MODEL NUMBER 141325

DIMENSIONS: 36" x 36" x 76 5/8" Gelcoat



STANDARD FEATURES

- 1-piece transfer shower reinforced according to FHA accessibility requirements
- One horizontal L-shaped grab bar (34 3/8" x 18"), one 18" vertical grab bar and L-shaped fold-up phenolic white seat
- Center drain
- Textured bottom
- 3/4" reduced skirt and 1/2" high threshold

UNIQUE FEATURES

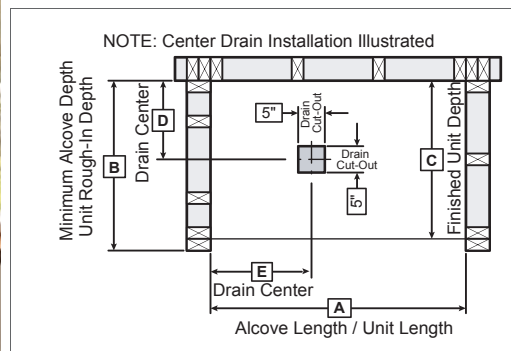
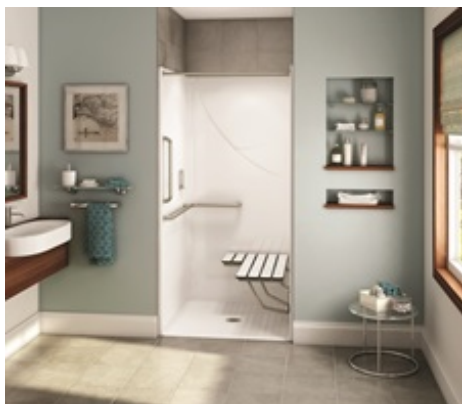
- None

OPTIONS

- Chrome recessed soap dish (drilled, not installed)
- Solid Brass drain with Chrome plated Stainless Steel grid
- 36" Chrome curtain rod
- 36" White vinyl shower curtain

SYSTEMS

- None



Model	A	B	C	D	E
141321	38 3/4	39	38	19 1/2	19 3/8

Project :

Contractor :

AKER Representative : Tel :

Date :

CERTIFICATIONS

AKER products adhere to one or more of the following certifications:



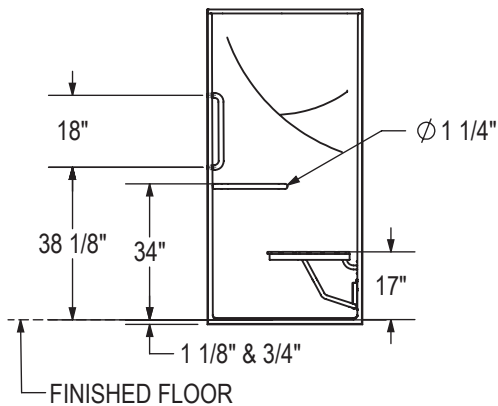
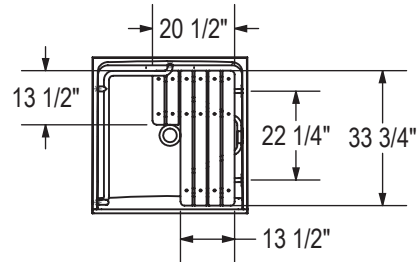
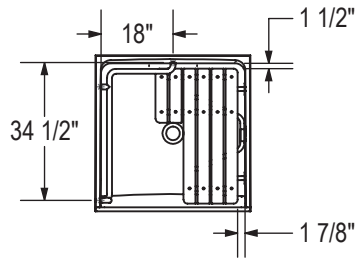
TECHNICAL SPECIFICATIONS

OPS-3636-RS - with ANSI grab bars and seat

MODEL NUMBER 141325

TECHNICAL DRAWINGS

BASE MODEL WITH ANSI GRAB BAR & SEAT PACKAGE
 LEFT SIDE SHOWN
 RIGHT SIDE SYMMETRICAL



All dimensions are approximate. Structure measurements must be verified against the unit to ensure proper fit.