

# TECHNICAL SPECIFICATIONS

## S-36

**MODEL NUMBER 141022**

DIMENSIONS: 36" x 36" x 72" Gelcoat



### STANDARD FEATURES

- One-piece gelcoated fiberglass shower with optional roofcap
- Built-in corner shelves
- Center drain
- Textured floor
- Optional unique features: above-the-floor rough
- Reinforced walls

### UNIQUE FEATURES

- Above-the-Floor Rough (AFR)

### OPTIONS

- Gelcoated fiberglass cap
- Light for roofcap (factory-drilled hole)
- All walls reinforced
- Lifter for PivoloK Doors
- Wall reinforcement (one wall)

### SYSTEMS

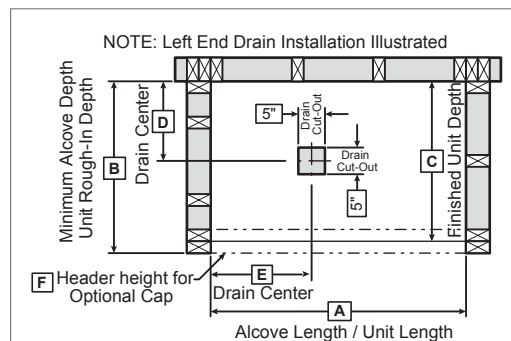
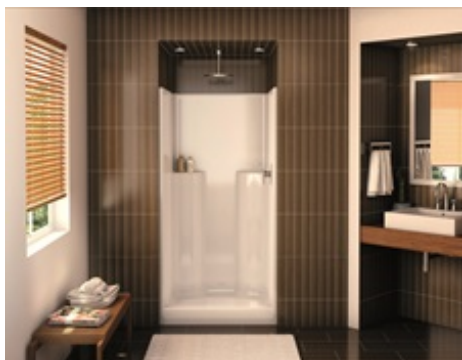
- None

### DOOR SELECTION

Combine with AKER's complete shower door offering visit [www.akerbymax.com](http://www.akerbymax.com)

### CERTIFICATIONS

AKER products adhere to one or more of the following certifications:



Model	A	B	C	D	E
141022	36"	37 1/2"	36"	18"	18"

Project : .....

Contractor : .....

AKER Representative : ..... Tel : .....

Date : .....

# TECHNICAL SPECIFICATIONS

## S-36

MODEL NUMBER 141022

### TECHNICAL DRAWINGS

With reinforcement

