

TECHNICAL SPECIFICATIONS

OPTS-6032 - With ANSI Grab Bars

MODEL NUMBER 141311

DIMENSIONS: 57" x 31 1/2" x 69 3/4" Gelcoat



STANDARD FEATURES

- 1-piece tub shower reinforced according to FHA accessibility requirements
- 4" x 24" horizontal straight grab bars and one 18" vertical straight grab bar
- Right-hand or left-hand drain
- Textured bottom
- Above-the-Floor Rough

UNIQUE FEATURES

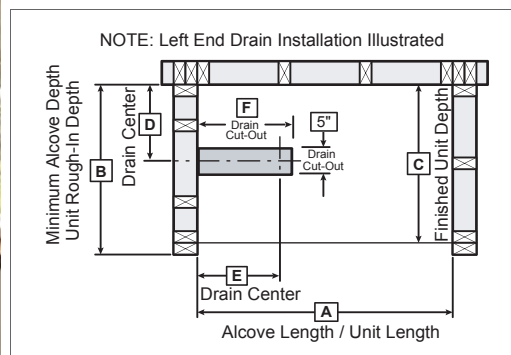
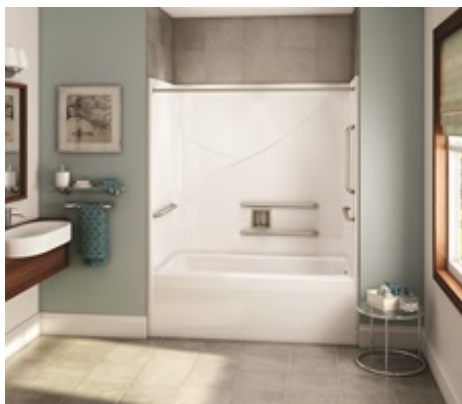
- Above-the-Floor Rough (AFR)

OPTIONS

- 56" Curtain rod (factory installed)
- 72 in. White vinyl shower curtain with Stainless Steel hooks
- Chrome recessed soap dish (drilled, not installed)

SYSTEMS

- None



Model	A	B	C	D	E	F
141309	59 3/4	34	33	15 1/2	8	10 1/2

CERTIFICATIONS

AKER products adhere to one or more of the following certifications:



Project :

Contractor :

AKER Representative : Tel :

Date :

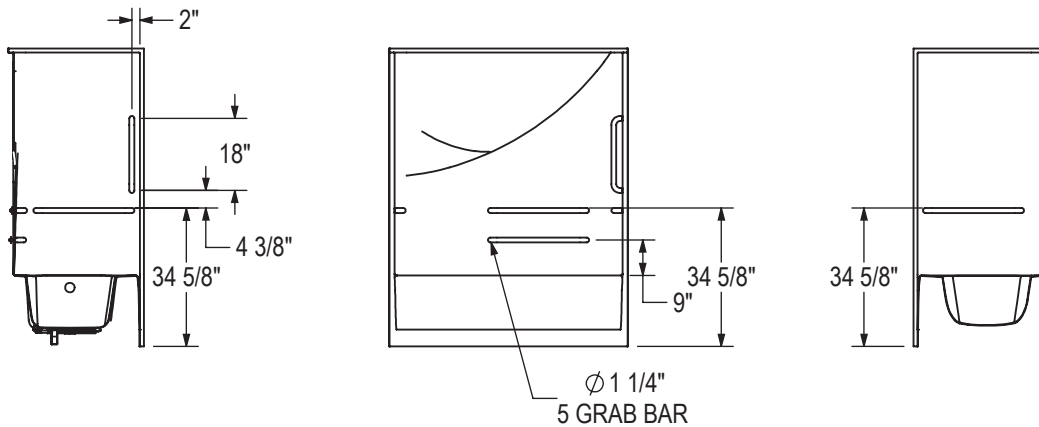
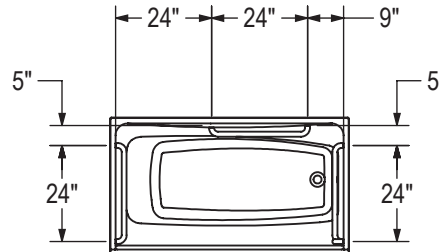
TECHNICAL SPECIFICATIONS

OPTS-6032 - With ANSI Grab Bars

MODEL NUMBER 141311

TECHNICAL DRAWINGS

BASE MODEL WITH ANSI GRAB BAR PACKAGE
 RIGHT SIDE SHOWN
 LEFT SIDE SYMMETRICAL



All dimensions are approximate. Structure measurements must be verified against the unit to ensure proper fit.