

# TECHNICAL SPECIFICATIONS

## SH-NA

**MODEL NUMBER 141038**

DIMENSIONS: 37 3/4" x 37 3/4" x 78" Gelcoat



### STANDARD FEATURES

- One-piece neo-angle corner shower
- Three-level built-in corner shelves
- Back center drain
- Textured floor
- Optional unique feature : Above-the-Floor Rough

### UNIQUE FEATURES

- Above-the-Floor Rough (AFR)

### OPTIONS

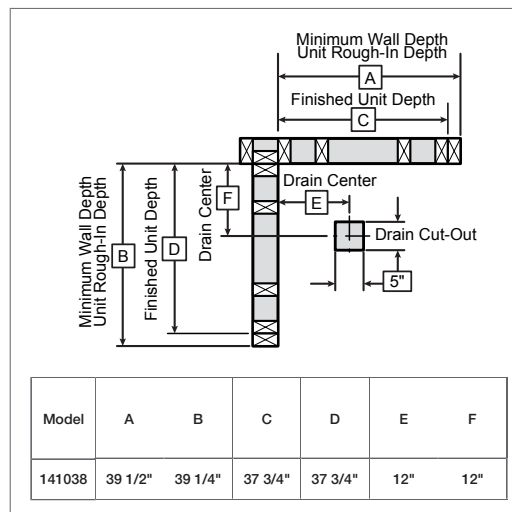
- None

### SYSTEMS

- None

### DOOR SELECTION

Combine with AKER's complete shower door offering visit [www.akerbymax.com](http://www.akerbymax.com)



Project : .....

Contractor : .....

AKER Representative : ..... Tel : .....

Date : .....

### CERTIFICATIONS

AKER products adhere to one or more of the following certifications:



# TECHNICAL SPECIFICATIONS

## SH-NA

MODEL NUMBER 141038

### TECHNICAL DRAWINGS

