

TECHNICAL SPECIFICATIONS

OPS-3636-RS - ANSI Compliant Model

MODEL NUMBER 141327

DIMENSIONS: 36" x 36" x 76 5/8" Gelcoat



STANDARD FEATURES

- 1-piece transfer shower reinforced according to FHA accessibility requirements
- Configurable to be compliant with ANSI code when properly installed
- Center drain, textured bottom
- L-shaped seat, 24 in, slide bar an 60 in. hose
- 3/4" reduced skirt and 1/2" high threshold

UNIQUE FEATURES

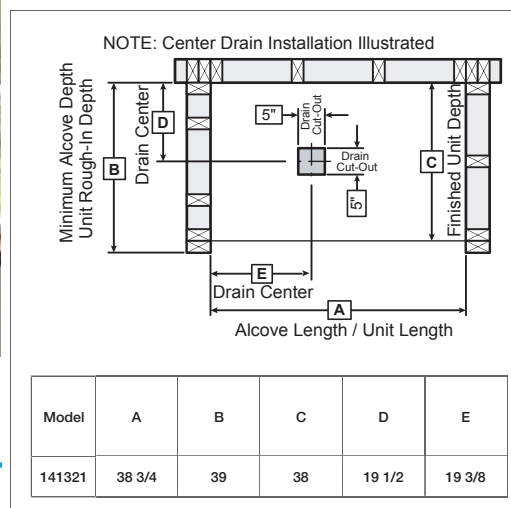
- None

OPTIONS

- Chrome recessed soap dish (drilled, not installed)
- Solid Brass drain with Chrome plated Stainless Steel grid
- 36" Chrome curtain rod
- 36" White vinyl shower curtain

SYSTEMS

- None



Project :

Contractor :

AKER Representative : Tel :

Date :

CERTIFICATIONS

AKER products adhere to one or more of the following certifications:



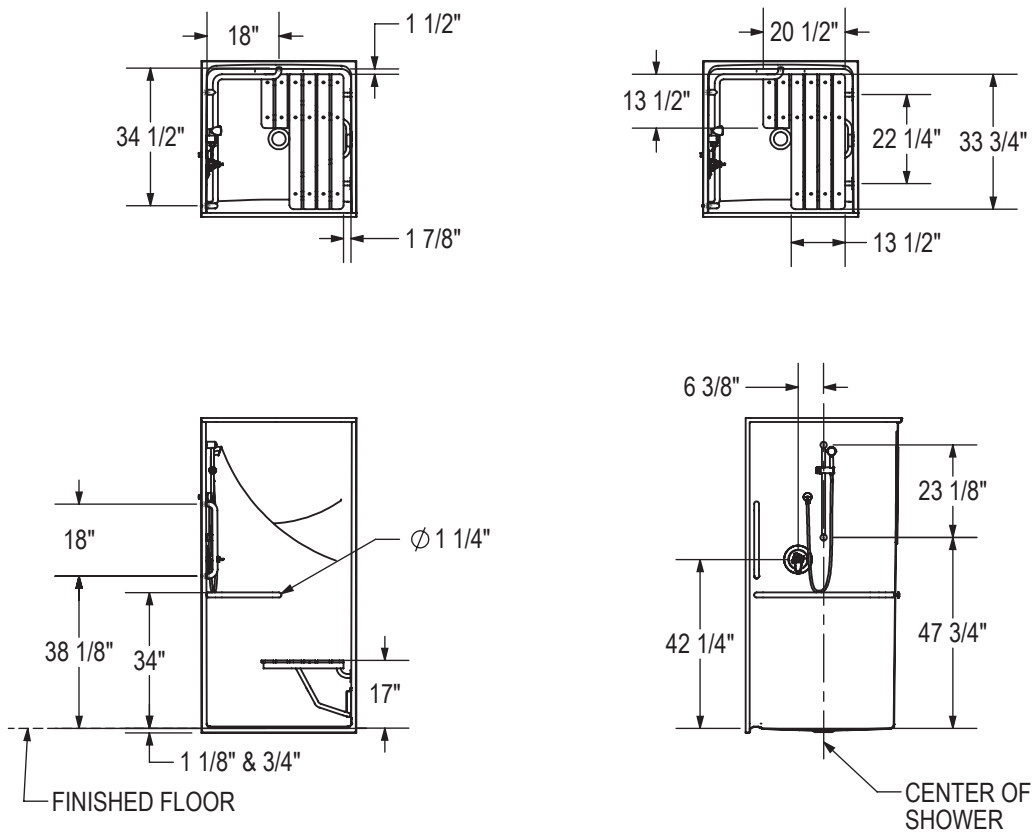
TECHNICAL SPECIFICATIONS

OPS-3636-RS - ANSI Compliant Model

MODEL NUMBER 141327

TECHNICAL DRAWINGS

BASE MODEL WITH COMPLETE ANSI PACKAGE
LEFT SIDE SHOWN
RIGHT SIDE SYMMETRICAL



All dimensions are approximate. Structure measurements must be verified against the unit to ensure proper fit.