

TECHNICAL SPECIFICATIONS

KDS 3232

MODEL NUMBER 142018

DIMENSIONS: 31 7/8" x 32" x 76" Gelcoat



STANDARD FEATURES

- Four-piece gelcoated fiberglass shower with PIN system for easy front installation
- Large top corner shelves, footrests and standard acrylic handle (opt. metallic finishes)
- Optional unique features: Reinforced walls and grab bars
- Product also available in Above-the-Floor Rough
- Center drain
- Textured floor

UNIQUE FEATURES

- PIN system

OPTIONS

- Shower base only KDS 3232 with pin system
- Side walls (right and left) for KDS 3232 and KDS 3636
- Back wall for KDS 3232
- Wall reinforcement (one wall)
- Pre-assembled unit
- 18" Modern straight grab bar

SYSTEMS

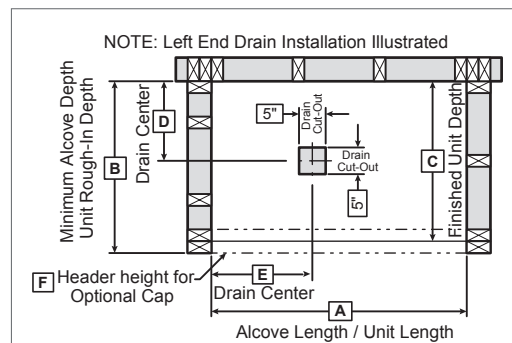
- None

DOOR SELECTION

Combine with AKER's complete shower door offering visit www.akerbymaax.com

CERTIFICATIONS

AKER products adhere to one or more of the following certifications:



Model	A	B	C	D	E
142018	32"	33"	32"	15 1/4"	16"

Project :

Contractor :

AKER Representative : Tel :

Date :

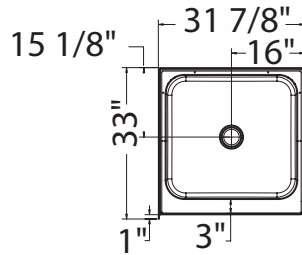
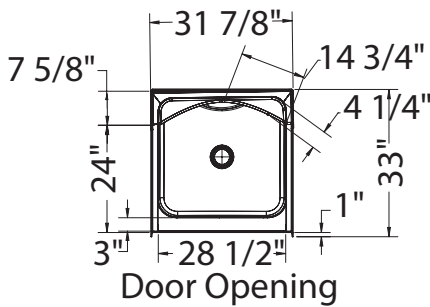
TECHNICAL SPECIFICATIONS

KDS 3232

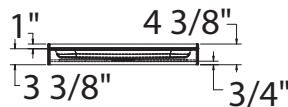
MODEL NUMBER 142018

TECHNICAL DRAWINGS

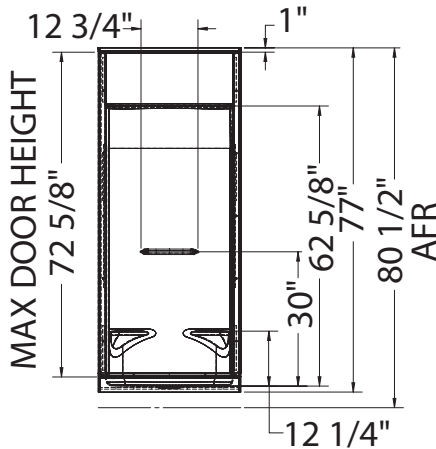
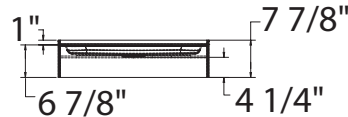
STANDARD



NOT ABOVE-THE-FLOOR

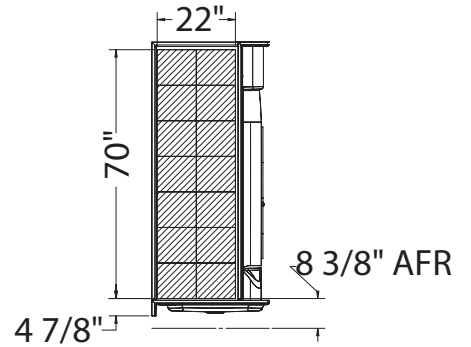


ABOVE-THE-FLOOR

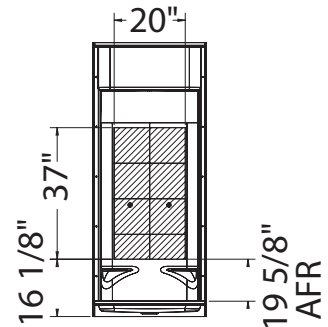


REINFORCEMENT BACKING

OPTION 20212-L Shown
OPTION 20212-R Symetrical

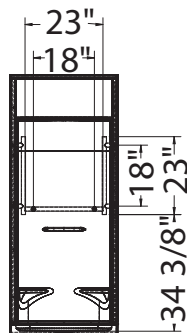


OPTION 20212-B

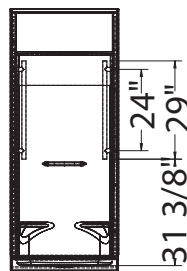


GRAB BARS

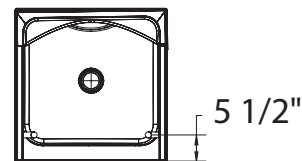
OPTION 20203



OPTION 20204



OPTION 20203-20204



All dimensions are approximate. Structure measurements must be verified against the unit to ensure proper fit.