

# TECHNICAL SPECIFICATIONS

## SP-3648

**MODEL NUMBER 141072**

DIMENSIONS: 48" x 36" x 6" Gelcoat



### STANDARD FEATURES

- Rectangular shower base
- Integrated tiling flange
- Textured floor
- Center drain

### UNIQUE FEATURES

- Tiling Flange

### OPTIONS

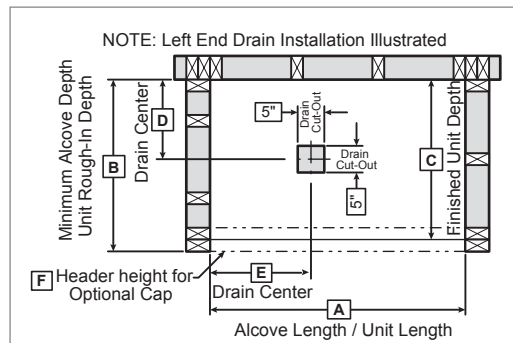
- None

### SYSTEMS

- None

### DOOR SELECTION

Combine with AKER's complete shower door offering visit [www.akerbymax.com](http://www.akerbymax.com)



Model	A	B	C	D	E
141072	48"	37 1/2"	36"	17 1/4"	24"

Project : .....

Contractor : .....

AKER Representative : ..... Tel : .....

Date : .....

### CERTIFICATIONS

AKER products adhere to one or more of the following certifications:

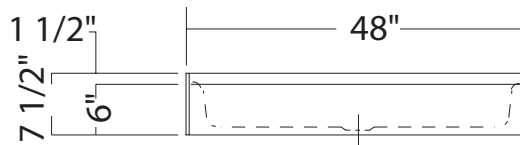
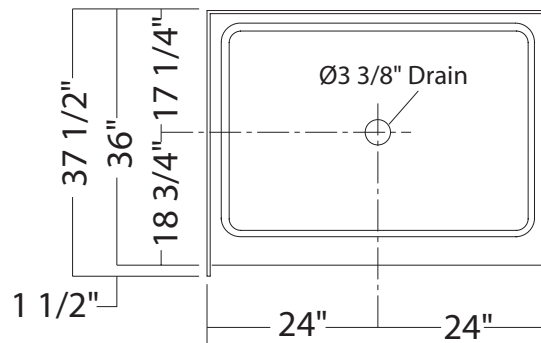


# TECHNICAL SPECIFICATIONS

## SP-3648

MODEL NUMBER 141072

### TECHNICAL DRAWINGS



All dimensions are approximate. Structure measurements must be verified against the unit to ensure proper fit.