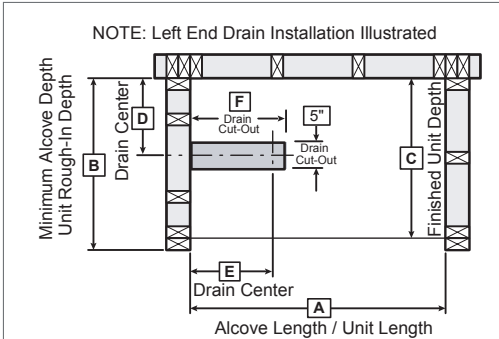


TECHNICAL SPECIFICATIONS

TO-4260

MODEL NUMBER 141354

DIMENSIONS: 60" x 41" x 16" Gelcoat



Model	A	B	C	D	E	F
141354	60	42	41	20 1/2	8 1/2	11

STANDARD FEATURES

- Meets FHA accessibility requirements
- Integrated tiling flange
- 2 3/4 inch Above-The-Floor rough available
- Textured floor
- 14 1/2 inch deep sump
- Bottom bathing well : 48 inch L x 26 1/2 inch W
- Right or left drain
- Alcove installation

UNIQUE FEATURES

- Tiling Flange

OPTIONS

- None

SYSTEMS

- None

\$BUILDERSPECDOORSELECTIONTITLE

Combine with AKER's complete shower door offering visit www.akerbymaax.com

CERTIFICATIONS

AKER products adhere to one or more of the following certifications:



Project :

Contractor :

AKER Representative : Tel :

Date :

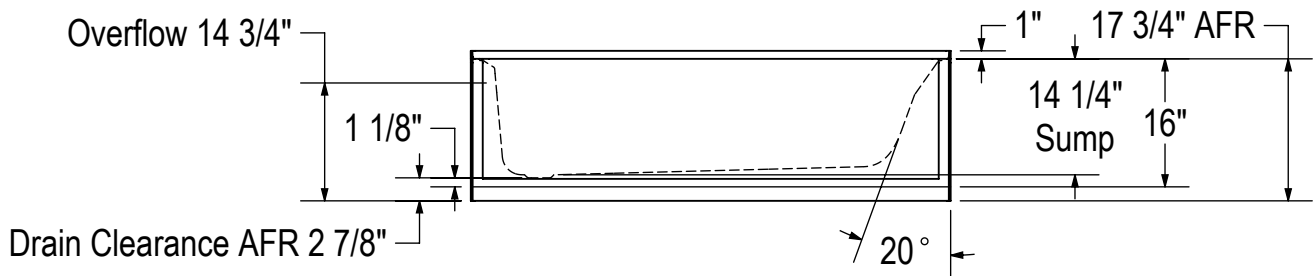
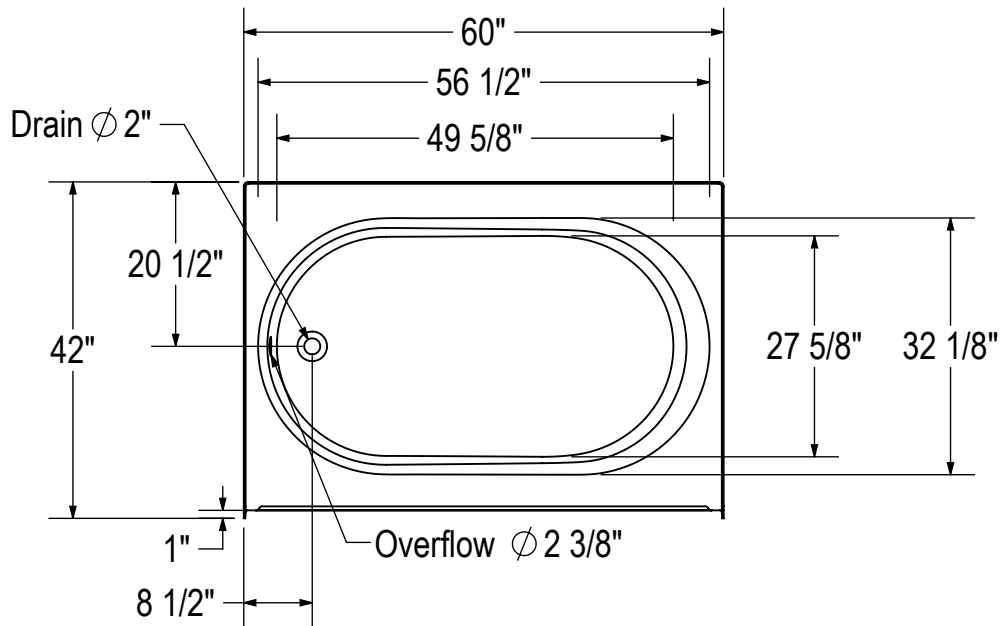
TECHNICAL SPECIFICATIONS



TO-4260

MODEL NUMBER 141354

TECHNICAL DRAWINGS



All dimensions are approximate. Structure measurements must be verified against the unit to ensure proper fit.

2017-08-10