

TECHNICAL SPECIFICATIONS

NS-48

MODEL NUMBER 141026

DIMENSIONS: 48" x 35 1/4" x 72" Gelcoat



STANDARD FEATURES

- One-piece gelcoated fiberglass shower
- Built-in wide corner shelves
- Center drain
- Textured floor
- Optional unique feature: Reinforced walls

UNIQUE FEATURES

- None

OPTIONS

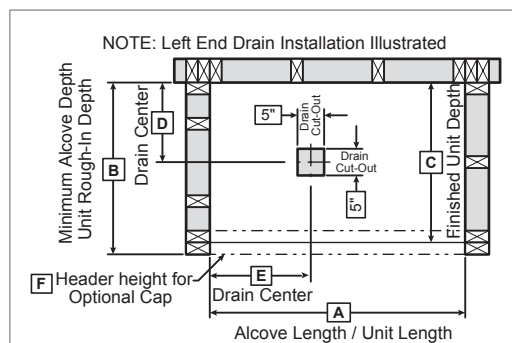
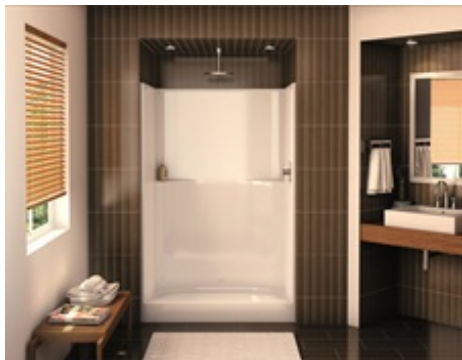
- All walls reinforced
- Wall reinforcement (one wall)

SYSTEMS

- None

DOOR SELECTION

Combine with AKER's complete shower door offering visit www.akerbymaax.com



Model	A	B	C	D	E
141026	48	36 3/4	35 1/4	18 1/4	24

Project :

Contractor :

AKER Representative : Tel :

Date :

CERTIFICATIONS

AKER products adhere to one or more of the following certifications:



TECHNICAL SPECIFICATIONS

NS-48

MODEL NUMBER 141026

TECHNICAL DRAWINGS

