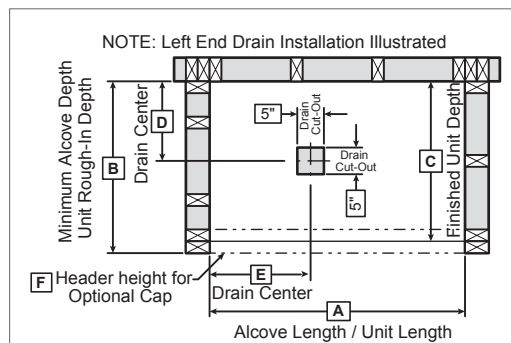


TECHNICAL SPECIFICATIONS

KDS 3460 AFR

MODEL NUMBER 142043

DIMENSIONS: 59 3/4" x 33 1/2" x 82 1/8" Gelcoat



Model	No Seat					Seat
	A	B	C	D	E	D
142042	60"	34 1/2"	33 1/2"	30"	14 1/8"	8 5/8"

STANDARD FEATURES

- Four-piece gelcoated fiberglass shower with PIN system for easy front installation
- Large top corner shelves, wide soap dish and standard acrylic handle (opt. metallic finishes)
- Right/left-hand seat (drain opposite to seat) or no seat (center drain)
- Textured floor
- Optional unique features: Reinforced walls and grab bars
- Above-the-floor Rough

UNIQUE FEATURES

- Above-the-Floor Rough (AFR)
- PIN system

OPTIONS

- Shower base only KDS 3460 AFR with pin system
- Side walls (right and left) for KDS 3448 & 3460
- Back wall for KDTS 3060, KDTS 3260, KDS 3060 and KDS 3460
- Pre-assembled unit
- 18" Modern straight grab bar
- 24" Modern straight grab bar

SYSTEMS

- None

DOOR SELECTION

Combine with AKER's complete shower door offering visit www.akerbymax.com

AKER products adhere to one or more of the following certifications:



Project :

Contractor :

AKER Representative : Tel :

Date :

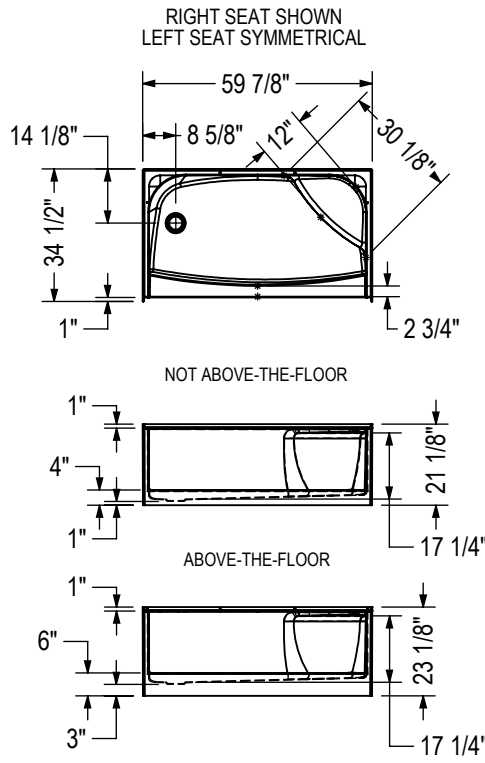
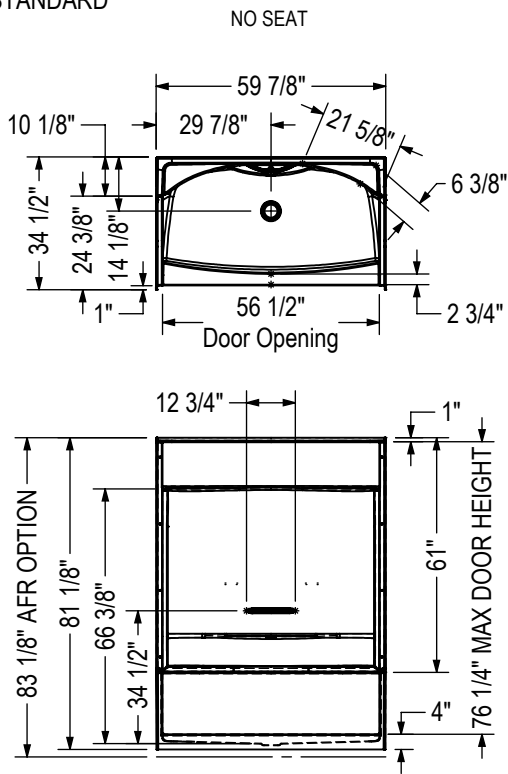
TECHNICAL SPECIFICATIONS

KDS 3460 AFR

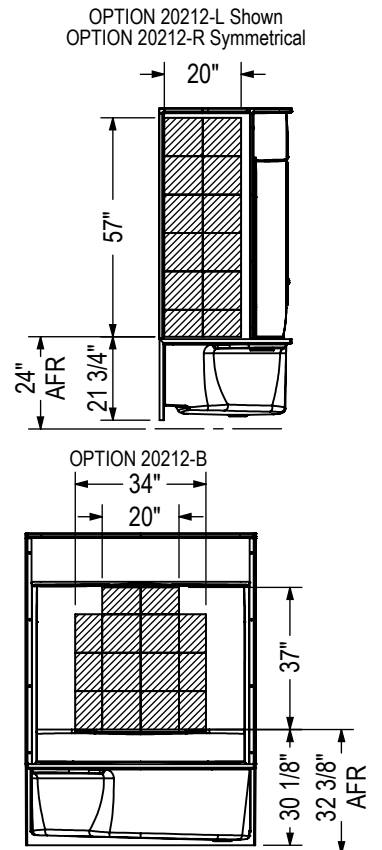
MODEL NUMBER 142043

TECHNICAL DRAWINGS

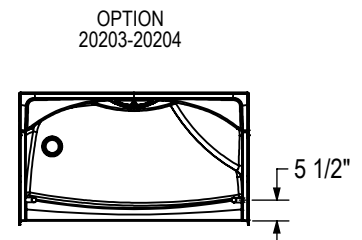
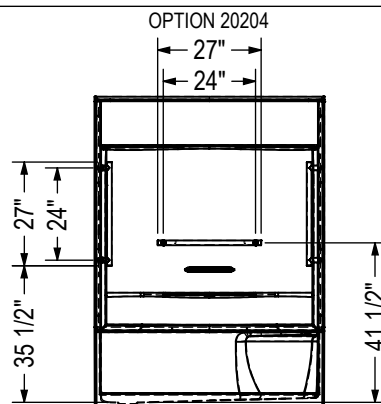
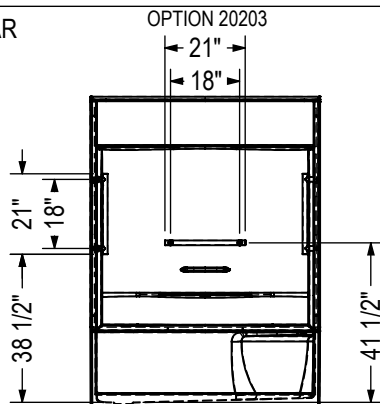
STANDARD



REINFORCEMENT BACKING



GRAB BAR



All dimensions are approximate. Structure measurements must be verified against the unit to ensure proper fit.