

TECHNICAL SPECIFICATIONS

CT-6060

MODEL NUMBER 141118

DIMENSIONS: 59" x 59" x 21 1/2" Gelcoat



STANDARD FEATURES

- Symmetrical backrests with lumbar supports
- Armrests
- Deck for faucet
- Integrated seat
- 19 3/4 inch deep sump
- Bottom bathing well: 46 1/4 inch L x 27 1/4 inch W
- Textured floor
- Center drain
- Drop-in installation

UNIQUE FEATURES

- Tiling Flange

OPTIONS

- In-line heater (factory-installed)
- Pump position opposite standard position
- Ozonator for whirlpool system
- Trim Kit for Bodywrap Whirlpool System

SYSTEMS

- Homestead Bodywrap

DOOR SELECTION

Combine with AKER's complete shower door offering visit www.akerbymaax.com

CERTIFICATIONS

AKER products adhere to one or more of the following certifications:



Project :

Contractor :

AKER Representative : Tel :

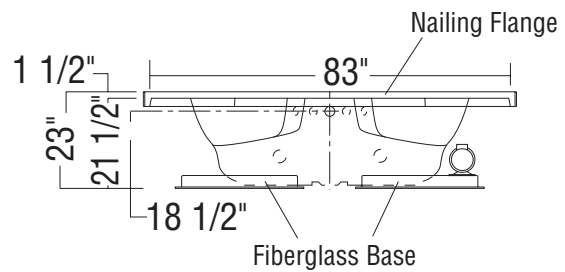
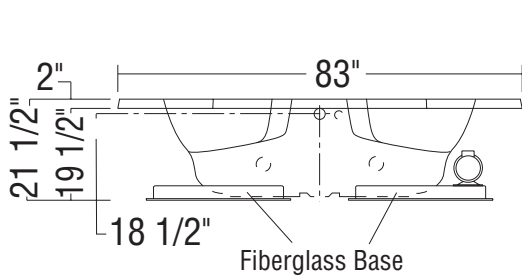
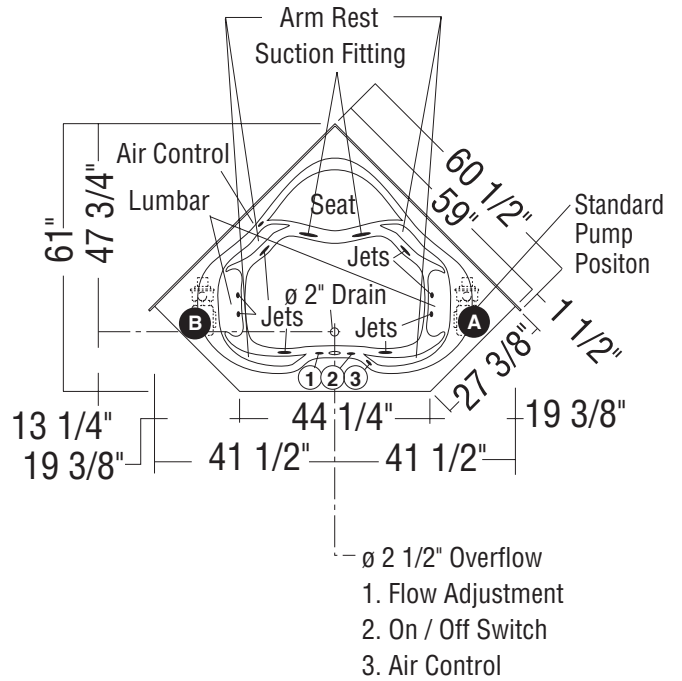
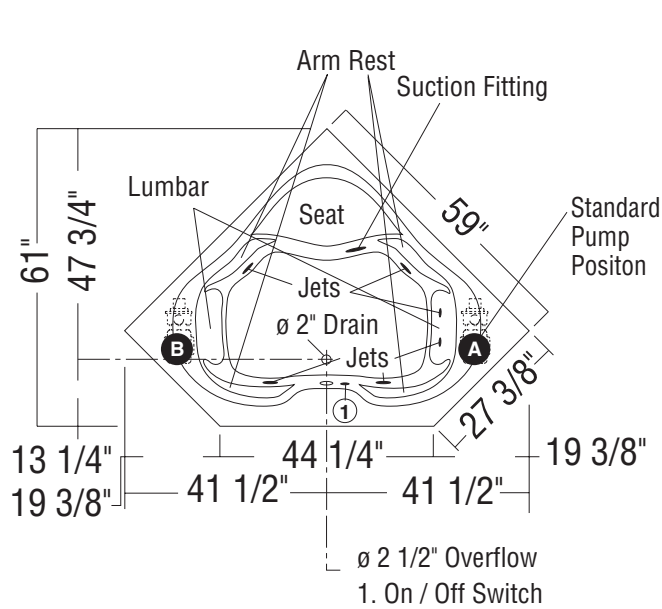
Date :

TECHNICAL SPECIFICATIONS

CT-6060

MODEL NUMBER 141118

TECHNICAL DRAWINGS



6-jet Homestead Collection CT-6060
HMS (illustrated)

8-jet Bodywrap System CT-6060
BWS (illustrated)