

TECHNICAL SPECIFICATIONS

SPS 3448 AFR

MODEL NUMBER 142033

DIMENSIONS: 47 7/8" x 33 5/8" x 22 1/8" Gelcoat



STANDARD FEATURES

- Rectangular shower base
- Integrated tiling flange
- Right or left integrated seat
- (3 3/8 in.) Above-the-Floor Rough available
- Textured floor
- center drain

UNIQUE FEATURES

- Tiling Flange
- Above-the-Floor Rough (AFR)

OPTIONS

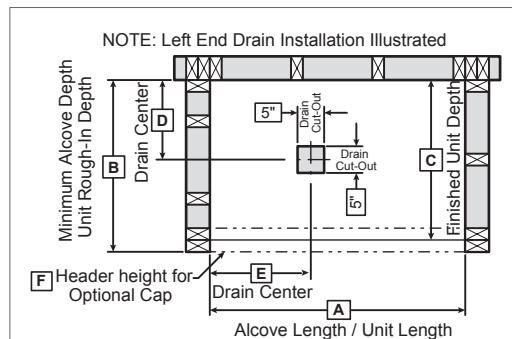
- Tile Adaptor (for door installation)

SYSTEMS

- None

DOOR SELECTION

Combine with AKER's complete shower door offering visit www.akerbymax.com



Model	A	B	C	D	E
142032	48"	34 1/2"	33 1/2"	14 1/8"	24"

CERTIFICATIONS

AKER products adhere to one or more of the following certifications:



Project :

Contractor :

AKER Representative : Tel :

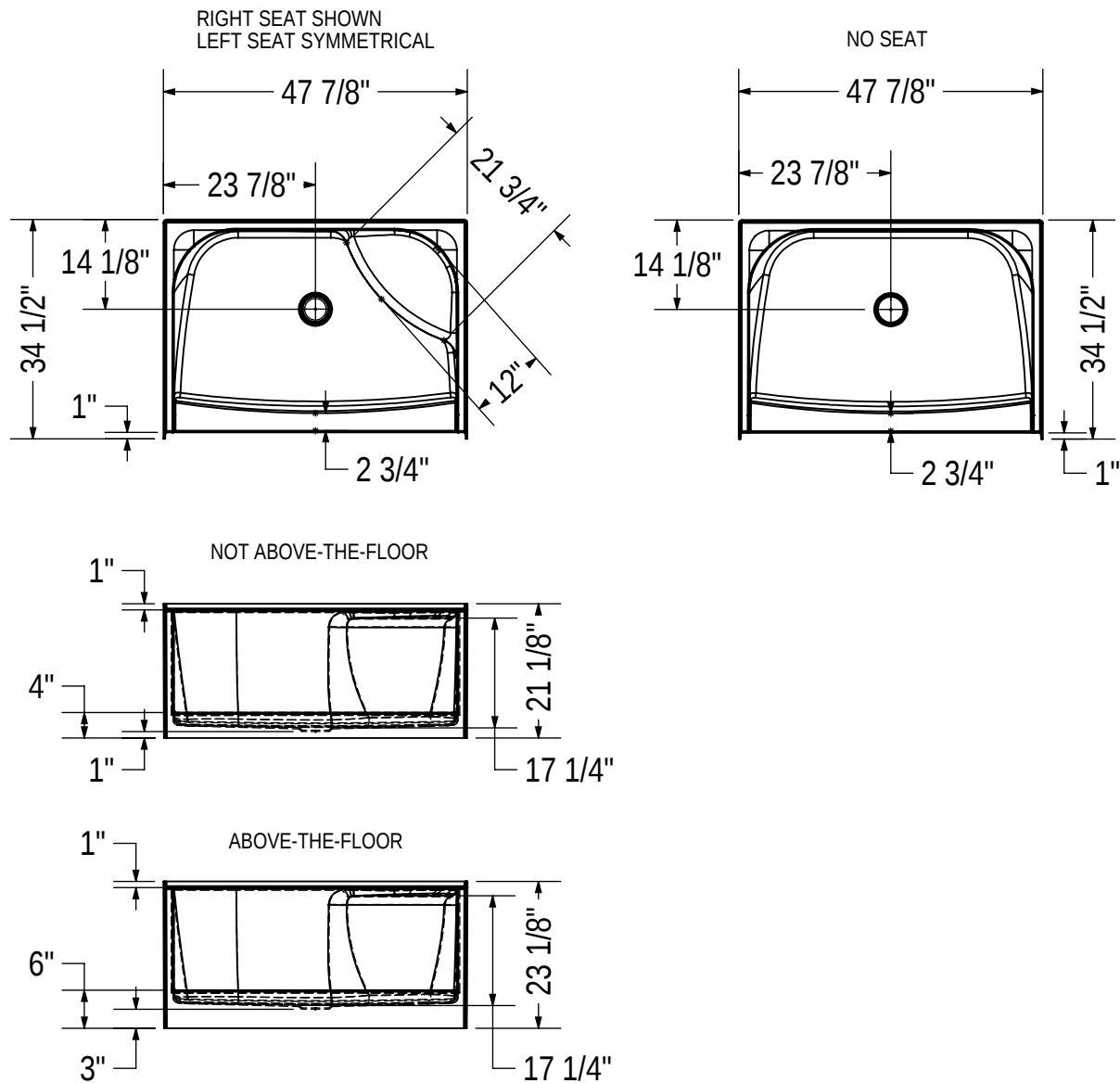
Date :

TECHNICAL SPECIFICATIONS

SPS 3448 AFR

MODEL NUMBER 142033

TECHNICAL DRAWINGS



© 2017 KER, a division of MAAX. All rights reserved. No part of this publication may be reproduced, stored in a retrieval system, or transmitted, in any form or by any means, without the prior written permission of MAAX.