

# TECHNICAL SPECIFICATIONS

## SPS 3060

**MODEL NUMBER 142038**

DIMENSIONS: 59 7/8" x 30" x 20 1/8" Gelcoat



### STANDARD FEATURES

- Rectangular shower base
- Tile adaptor required for door installation
- Integrated tiling flange
- Right or left integrated seat
- 3 3/8 inch Above-the-Floor Rough available
- Textured floor
- Right, Left or Center drain

### UNIQUE FEATURES

- Tiling Flange

### OPTIONS

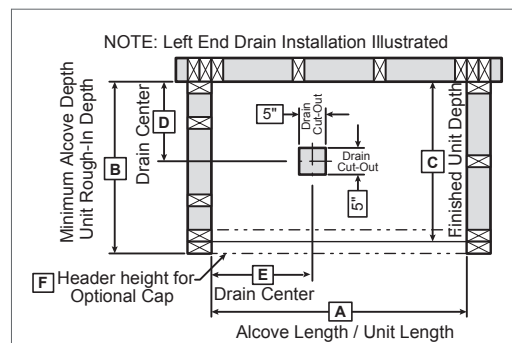
- Tile Adaptor (for door installation)

### SYSTEMS

- None

### DOOR SELECTION

Combine with AKER's complete shower door offering visit [www.akerbymax.com](http://www.akerbymax.com)



Model	A	B	C	D	E
142038	60"	31"	30"	14 1/8"	30"

### CERTIFICATIONS

AKER products adhere to one or more of the following certifications:



Project : .....

Contractor : .....

AKER Representative : ..... Tel : .....

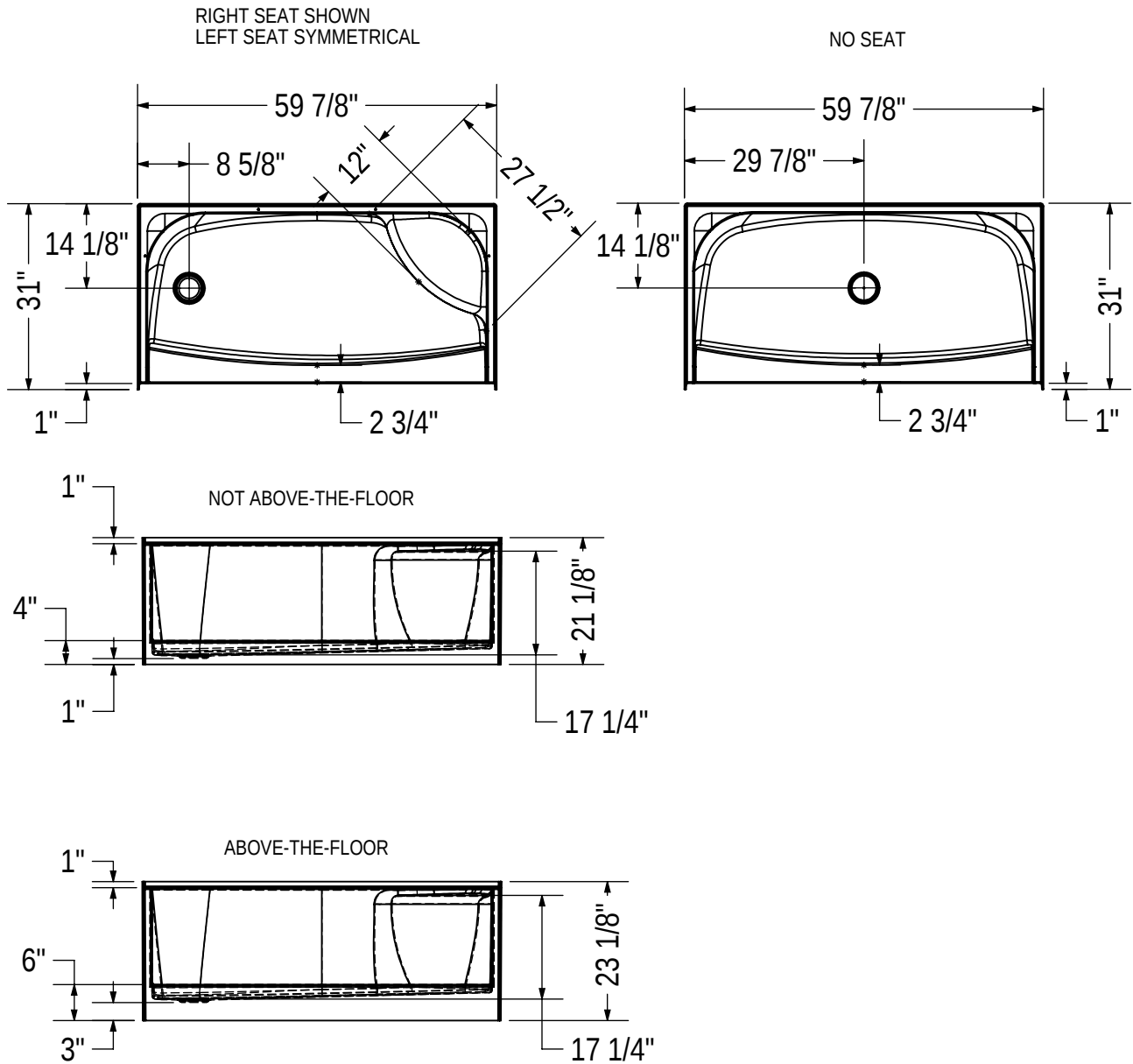
Date : .....

# TECHNICAL SPECIFICATIONS

## SPS 3060

MODEL NUMBER 142038

### TECHNICAL DRAWINGS



© 2017 KER, a division of MAAX. All rights reserved. SPS 3060 is a registered trademark of KER. MAAX is a registered trademark of MAAX. 142038 is a registered trademark of MAAX.