

# TECHNICAL SPECIFICATIONS

## SBF-3660

**MODEL NUMBER 141089**

DIMENSIONS: 60" x 36 1/2" x 21 1/4" Gelcoat



### STANDARD FEATURES

- Deep and spacious bathing well
- Integrated tiling flange
- Armrests
- Deck for faucet
- 20 1/2 inch deep sump
- Bottom bathing well: 45 inch L x 25 inch W
- Textured floor
- Right or left drain
- Alcove installation

### UNIQUE FEATURES

- Tiling Flange

### OPTIONS

- Removable solid apron kit
- Non-removable solid apron kit
- In-line heater (factory-installed)
- Pump position opposite standard position
- Designer grab bars in Chrome
- Ozonator for whirlpool system

### SYSTEMS

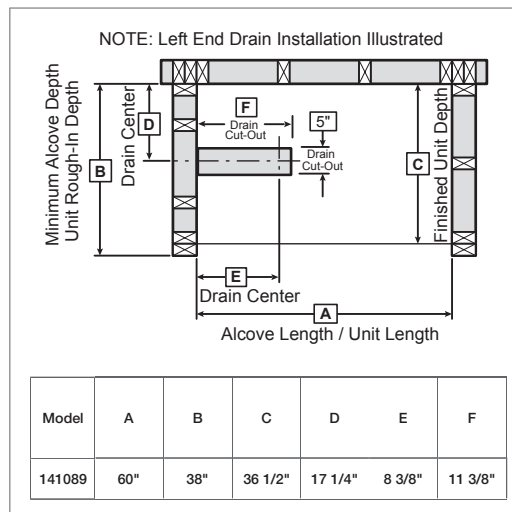
- Homestead Bodywrap

### DOOR SELECTION

Combine with AKER's complete shower door offering visit [www.akerbymaax.com](http://www.akerbymaax.com)

### CERTIFICATIONS

AKER products adhere to one or more of the following certifications:



Project : .....

Contractor : .....

AKER Representative : ..... Tel : .....

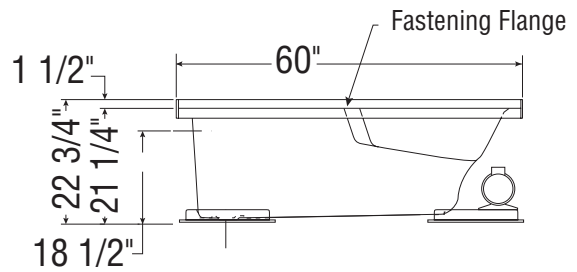
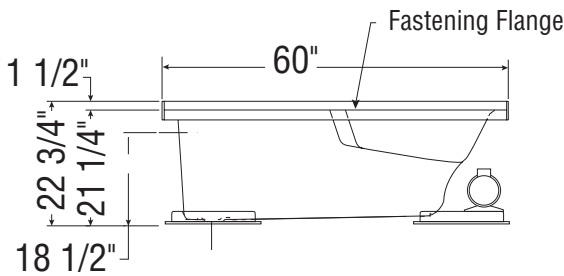
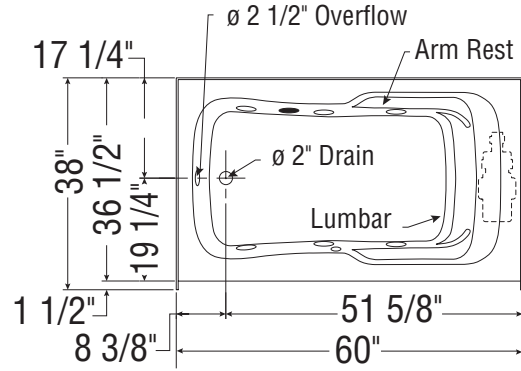
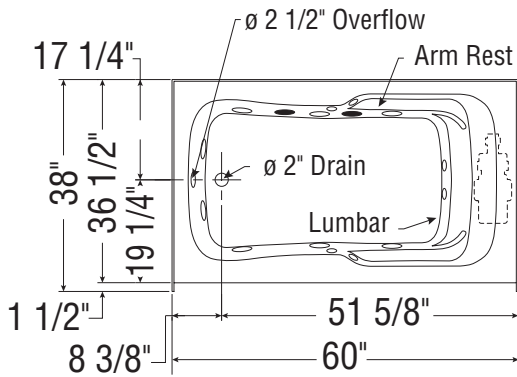
Date : .....

# TECHNICAL SPECIFICATIONS

## SBF-3660

MODEL NUMBER 141089

### TECHNICAL DRAWINGS



6-jet Homestead System SBF-3660L  
HMS (illustrated)

10-jet Bodywrap System SBF-3660L  
BWS (illustrated)