

# TECHNICAL SPECIFICATIONS



## GT-4260

**MODEL NUMBER 141082**

DIMENSIONS: 60" x 40 1/2" x 23 1/4" Gelcoat



### STANDARD FEATURES

- 5 1/2 inch wrap around backsplash
- Integrated apron & tiling flange
- Deck for faucet
- 15 3/4 inch deep sump
- Bottom bathing well : 41 1/2 inch L x 24 inch W
- 2 inch Above-The-Floor rough available
- Right, left or center drain
- Textured floor
- Alcove installation

### UNIQUE FEATURES

- Above-the-Floor Rough (AFR)
- Tiling Flange

### OPTIONS

- In-line heater (factory-installed)
- Pump position opposite standard position

### SYSTEMS

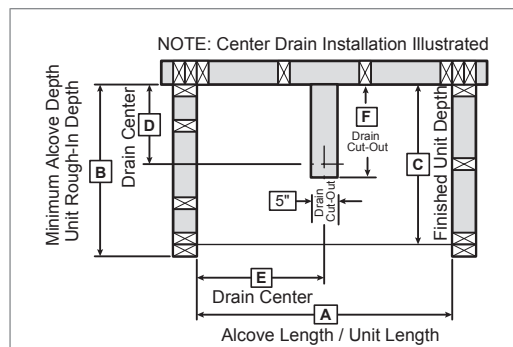
Homestead **DOOR**

### SELECTION

Combine with AKER's complete shower door offering visit [www.akerbymax.com](http://www.akerbymax.com)

### CERTIFICATIONS

AKER products adhere to one or more of the following certifications:



Model	A	B	C	D	E	F
141082	60"	42"	40 1/2"	11 1/4"	30"	14 1/4"

Project : .....

Contractor : .....

AKER Representative : ..... Tel : .....

Date : .....

[www.akerbymax.com](http://www.akerbymax.com)

2017-08-10

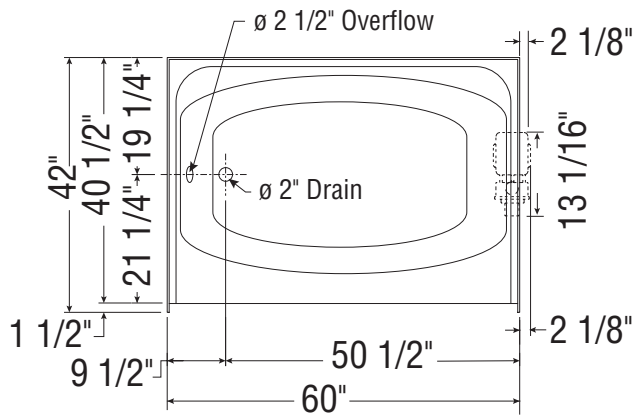
# TECHNICAL SPECIFICATIONS

## GT-4260

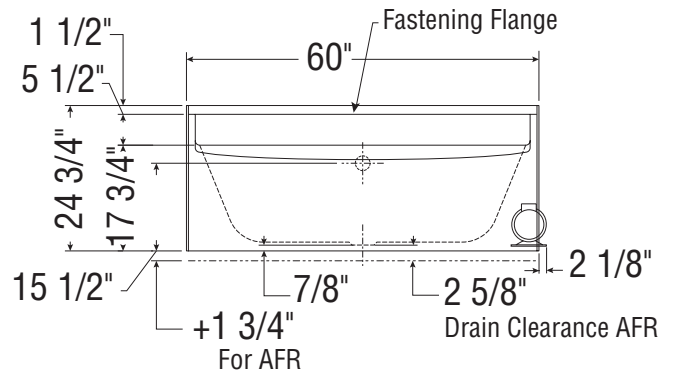
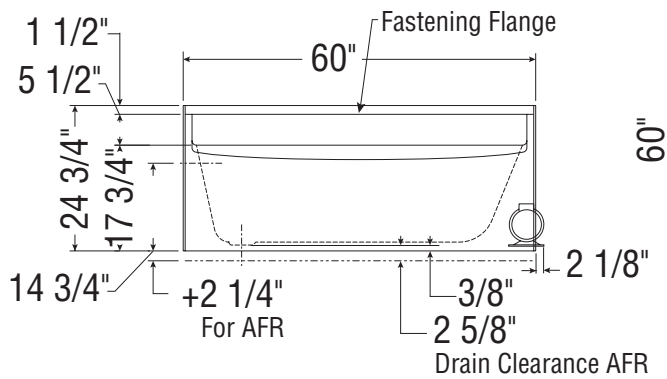
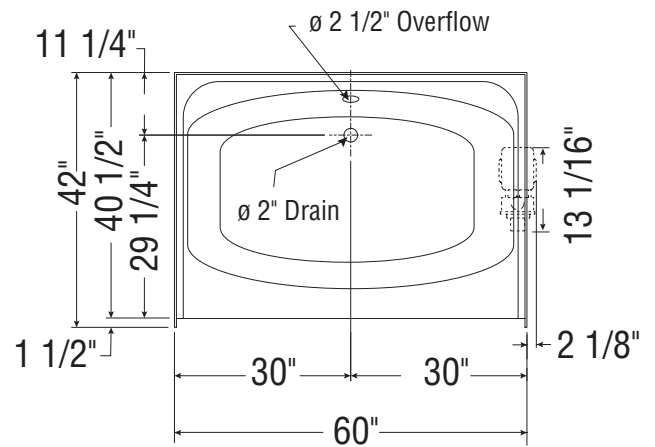
MODEL NUMBER 141082

### TECHNICAL DRAWINGS

GT-4260 R  
GT-4260 L (shown)



GT-4260 Center Drain



All dimensions are approximate. Structure measurements must be verified against the unit to ensure proper fit.