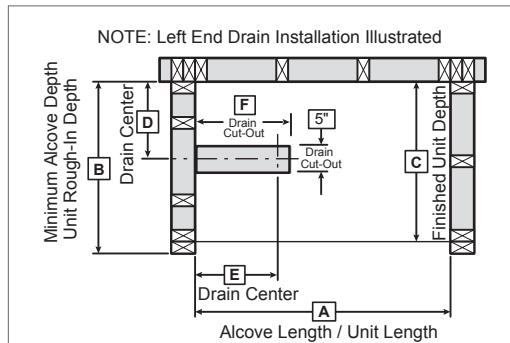


# TECHNICAL SPECIFICATIONS

## SBW-3360

**MODEL NUMBER 141002**

DIMENSIONS: 60" x 33" x 77" Gelcoat



Model	A	B	C	D	E	F
141002	60"	34 1/2"	33"	16 1/4"	9 1/4"	12 1/4"

### STANDARD FEATURES

- One-piece gelcoated fiberglass tub-shower with comfortable armrests and optional roofcap
- Built-in back wall shelves with integrated soap dish
- Right or left-hand drain
- Textured floor
- 16 inch deep sump
- Bottom bathing well: 42 1/2 inch L x 18 7/8 inch W
- Optional unique features: Above-the-Floor Rough and reinforced walls

### UNIQUE FEATURES

- Above-the-Floor Rough (AFR)

### OPTIONS

- Gelcoated fiberglass cap
- Light for roofcap (factory-drilled hole)
- In-line heater (factory-installed)
- Pump position opposite standard position
- All walls reinforced
- Ozonator for whirlpool system

### SYSTEMS

Bodywrap **DOOR**

### SELECTION

Combine with AKER's complete shower door offering visit [www.akerbymax.com](http://www.akerbymax.com)

### CERTIFICATIONS

AKER products adhere to one or more of the following certifications:



Project : .....

Contractor : .....

AKER Representative : ..... Tel : .....

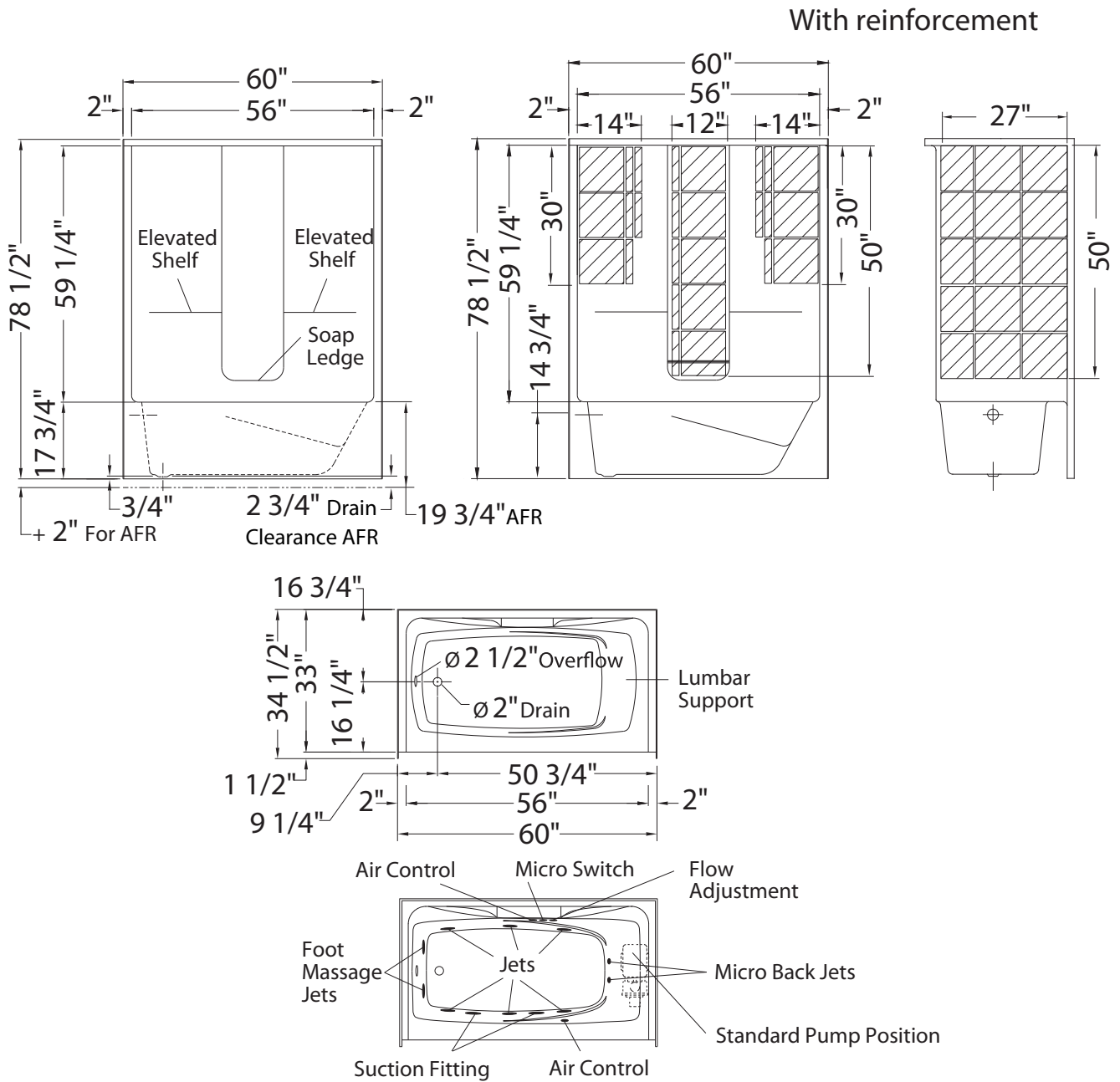
Date : .....

# TECHNICAL SPECIFICATIONS

## SBW-3360

MODEL NUMBER 141002

### TECHNICAL DRAWINGS



All dimensions are approximate. Structure measurements must be verified against the unit to ensure proper fit.