

# TECHNICAL SPECIFICATIONS



## KDS 3448

**MODEL NUMBER 142030**

DIMENSIONS: 47 7/8" x 33 5/8" x 80 1/8" Gelcoat



### STANDARD FEATURES

- Four-piece gelcoated fiberglass shower with PIN system for easy front installation
- Large top corner shelves, wide soap dish and standard acrylic handle (opt. metallic finishes)
- Optional unique features: Reinforced walls and grab bars
- Product also available in Above-the-Floor Rough
- Right/left-hand seat or no seat
- Center drain
- Textured floor

### UNIQUE FEATURES

- PIN system

### OPTIONS

- Shower base only KDS 3448 with pin system
- Side walls (right and left) for KDS 3448 & 3460
- Back wall for KDS 3448
- Wall reinforcement (one wall)
- Pre-assembled unit
- 18" Modern straight grab bar

### SYSTEMS

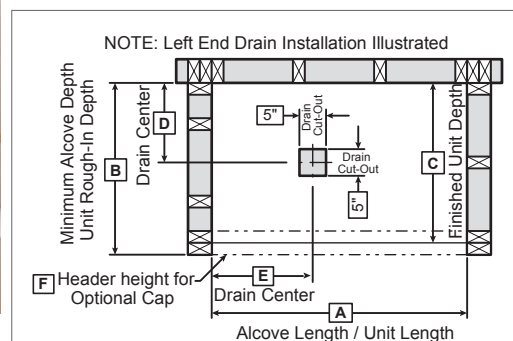
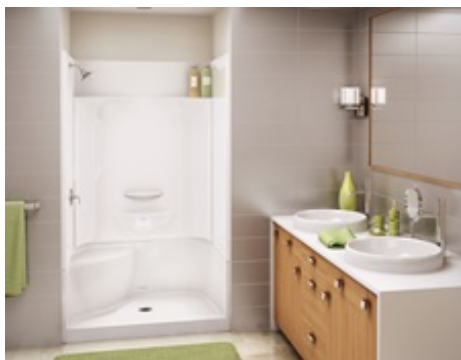
- None

### DOOR SELECTION

Combine with AKER's complete shower door offering visit [www.akerbymaax.com](http://www.akerbymaax.com)

### CERTIFICATIONS

AKER products adhere to one or more of the following certifications:



Model	No Seat					Seat
	A	B	C	D	E	D
142030	48"	34 1/2"	33 1/2"	14 1/8"	24"	24"

Project : .....

Contractor : .....

AKER Representative : ..... Tel : .....

Date : .....

[www.akerbymaax.com](http://www.akerbymaax.com)

2017-08-10

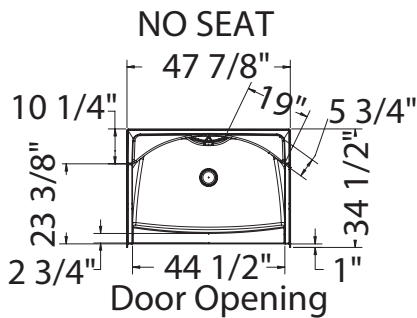
# TECHNICAL SPECIFICATIONS

## KDS 3448

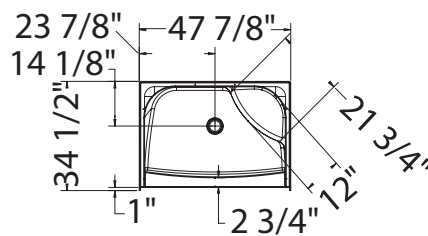
MODEL NUMBER 142030

### TECHNICAL DRAWINGS

#### STANDARD

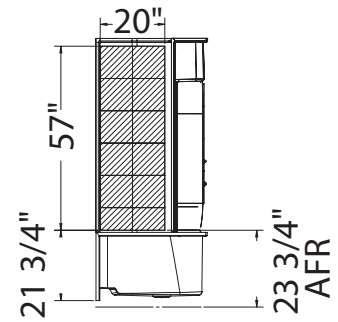


#### RIGHT SEAT SHOWN LEFT SEAT SYMMETRICAL

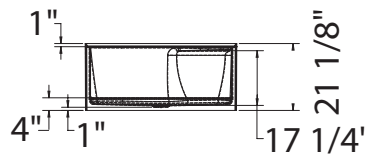


#### REINFORCEMENT BACKING

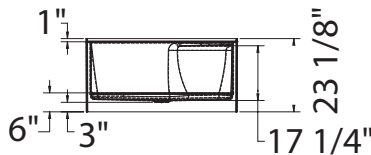
OPTION 20212-L Shown  
OPTION 20212-R Symetrical



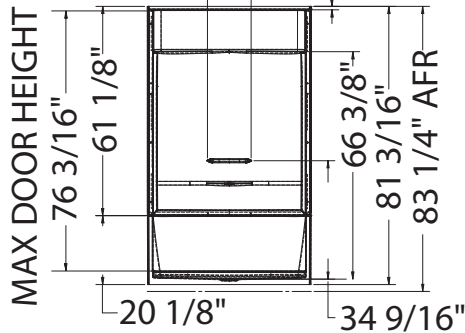
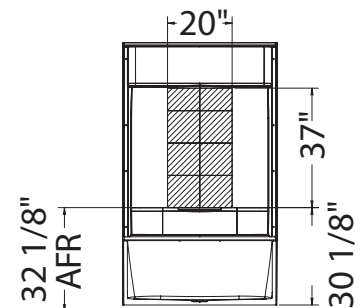
#### NOT ABOVE-THE-FLOOR



#### ABOVE-THE-FLOOR

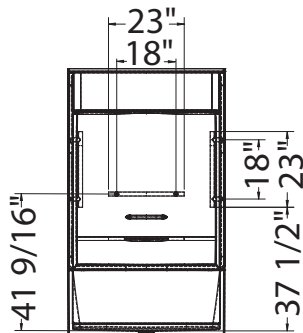


#### OPTION 20212-B

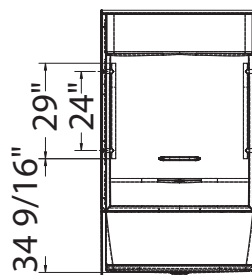


#### GRAB BARS

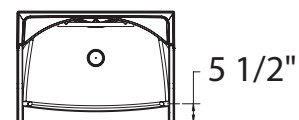
#### OPTION 20203



#### OPTION 20204



#### OPTION 20203-20204



All dimensions are approximate. Structure measurements must be verified against the unit to ensure proper fit.