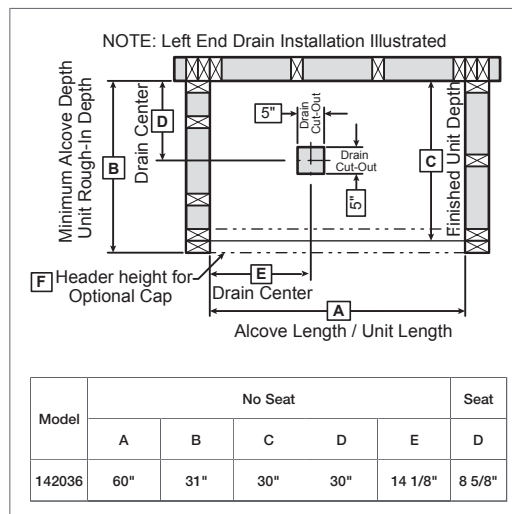


TECHNICAL SPECIFICATIONS

KDS 3060 AFR

MODEL NUMBER 142037

DIMENSIONS: 59 3/4" x 30" x 82 1/4" Gelcoat



STANDARD FEATURES

- Four-piece gelcoated fiberglass shower with PIN system for easy front installation
- Large top corner shelves, wide soap dish and standard acrylic handle (opt. metallic finishes) • Textured floor
- Optional unique features: Reinforced walls and grab bars
- Above-the-Floor Rough

UNIQUE FEATURES

- Above-the-Floor Rough (AFR)
- PIN system

OPTIONS

- Shower base only KDS 3060 with pin system
- Side walls (right and left) for KDTS 2954, KDTS 3060 and KDS 3060
- Back wall for KDTS 3060, KDTS 3260, KDS 3060 and KDS 3460
- Pre-assembled unit
- 18" Modern straight grab bar
- 24" Modern straight grab bar

SYSTEMS

- None

DOOR SELECTION

Combine with AKER's complete shower door offering visit www.akerbymaax.com

CERTIFICATIONS

AKER products adhere to one or more of the following certifications:



Project :

Contractor :

AKER Representative : Tel :

Date :

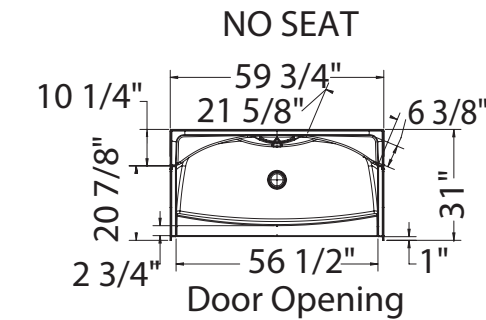
TECHNICAL SPECIFICATIONS

KDS 3060 AFR

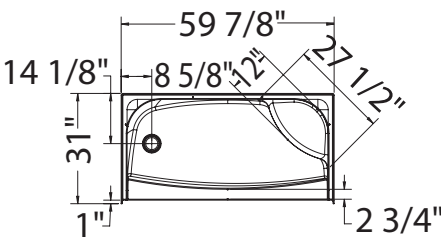
MODEL NUMBER 142037

TECHNICAL DRAWINGS

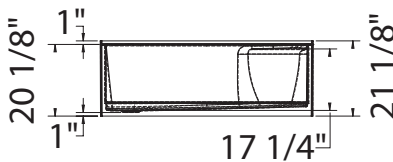
STANDARD



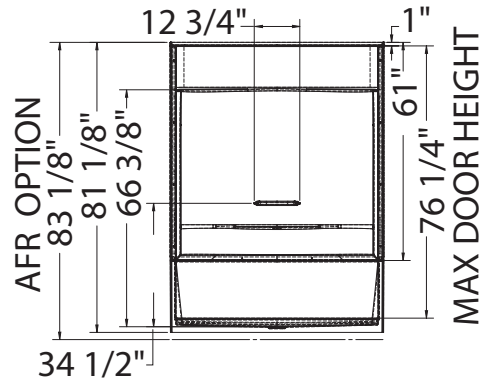
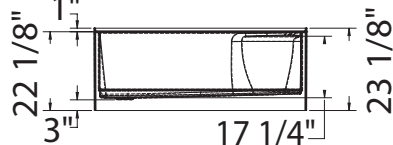
RIGHT SEAT SHOWN LEFT SEAT SYMMETRICAL



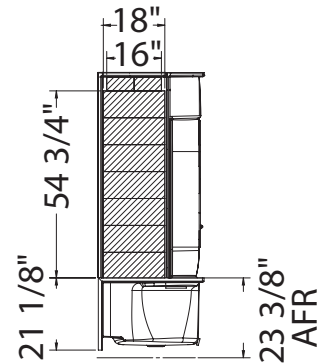
NOT ABOVE-THE-FLOOR



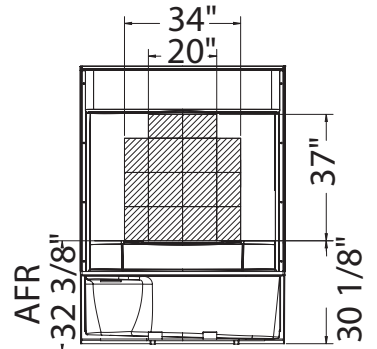
ABOVE-THE-FLOOR



REINFORCEMENT BACKING OPTION 20212-L Shown OPTION 20212-R Symetrical

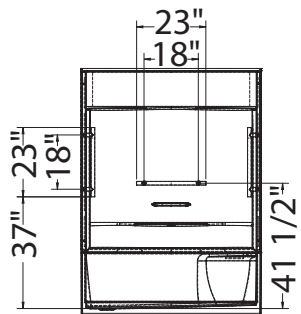


OPTION 20212-B

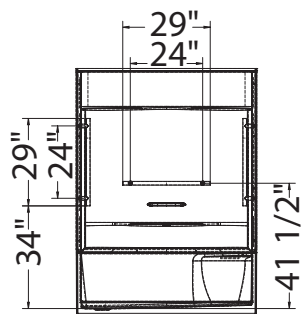


GRAB BARS

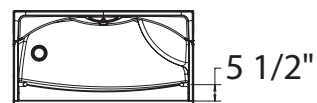
OPTION 20203



OPTION 20204



OPTION 20203-20204



All dimensions are approximate. Structure measurements must be verified against the unit to ensure proper fit.