

TECHNICAL SPECIFICATIONS

SPL 3636

MODEL NUMBER 142026

DIMENSIONS: 35 7/8" x 36" x 3 3/8" Gelcoat



STANDARD FEATURES

- 3 3/8 inch low threshold base
- 4 1/4 inch Above-the-Floor Rough available
- Integrated tiling flange
- Textured floor
- Center drain

UNIQUE FEATURES

- Tiling Flange

OPTIONS

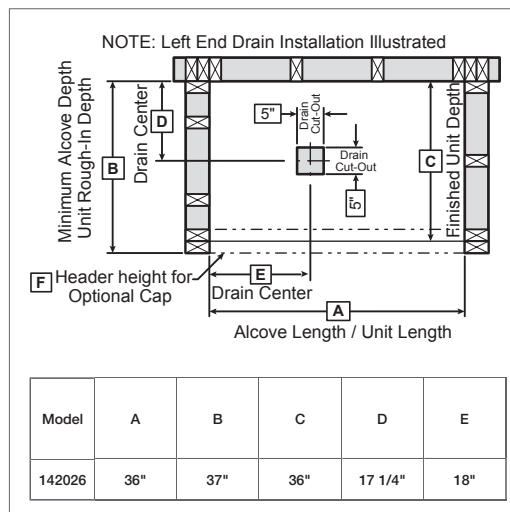
- None

SYSTEMS

- None

DOOR SELECTION

Combine with AKER's complete shower door offering visit www.akerbymax.com



Project : _____

Contractor : _____

AKER Representative : _____ Tel : _____

Date : _____

CERTIFICATIONS

AKER products adhere to one or more of the following certifications:

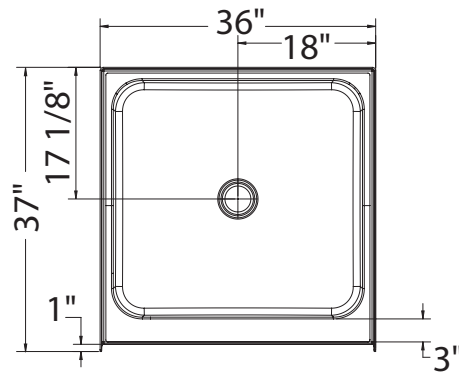


TECHNICAL SPECIFICATIONS

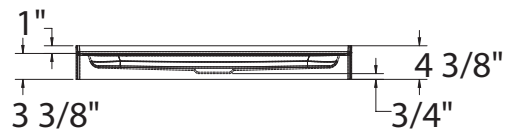
SPL 3636

MODEL NUMBER 142026

TECHNICAL DRAWINGS



NOT ABOVE-THE-FLOOR



ABOVE-THE-FLOOR

