

TECHNICAL SPECIFICATIONS

OPS-6030 - Base Model (MASS. COMPLIANT)

MODEL NUMBER 141287

DIMENSIONS: 60" x 30 1/4" x 76 5/8" Gelcoat



STANDARD FEATURES

- One-piece roll-in shower reinforced according to FHA accessibility requirements
- Configurable to be compliant with major accessibility codes when properly installed
- Center drain
- Textured bottom
- 1 1/8 inch skirt and 1/2 inch high threshold

Complete ADA/ANSI compliant package shown in the picture below

UNIQUE FEATURES

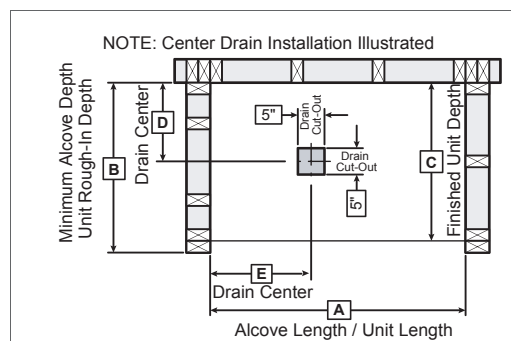
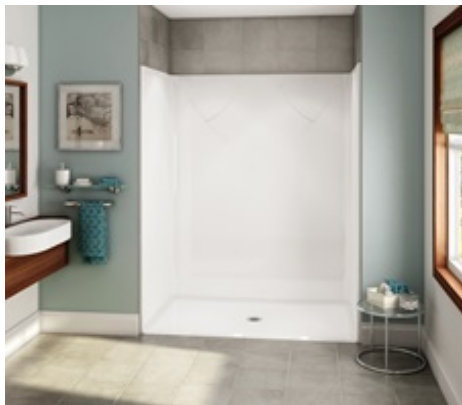
- None

OPTIONS

- Chrome recessed soap dish (drilled, not installed)
- 60" Curtain rod
- Solid Brass drain with Chrome plated Stainless Steel grid
- 72 in. White vinyl shower curtain with Stainless Steel hooks

SYSTEMS

- None



Model	A	B	C	D	E
141287	62 7/8	33 1/4	32 1/4	15 1/2	31 3/8

Project :

Contractor :

AKER Representative : Tel :

Date :

CERTIFICATIONS

AKER products adhere to one or more of the following certifications:



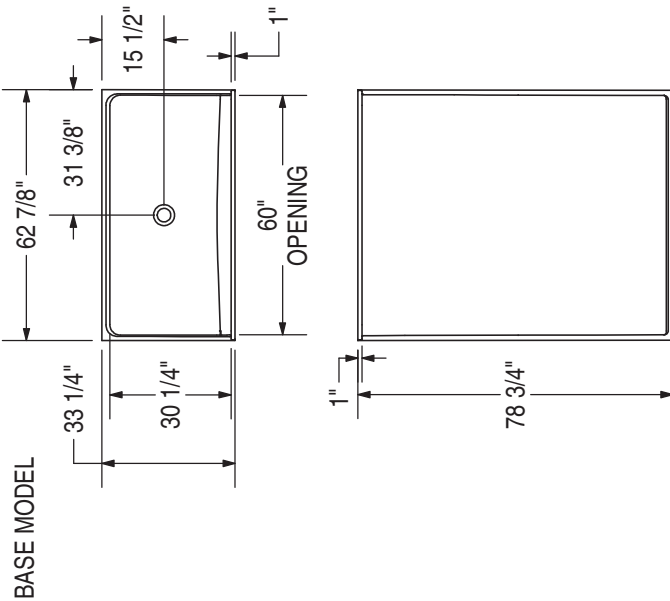
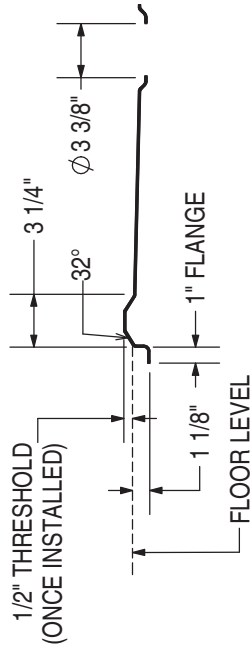
TECHNICAL SPECIFICATIONS

OPS-6030 - Base Model (MASS. COMPLIANT)

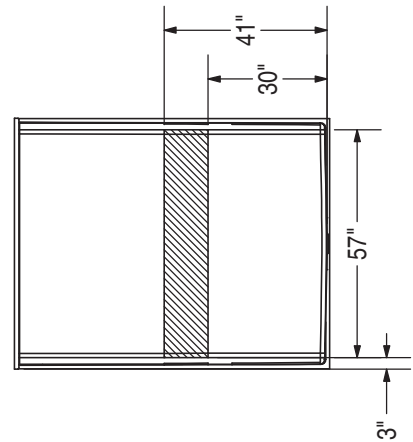
MODEL NUMBER 141287

TECHNICAL DRAWINGS

THRESHOLD DETAIL

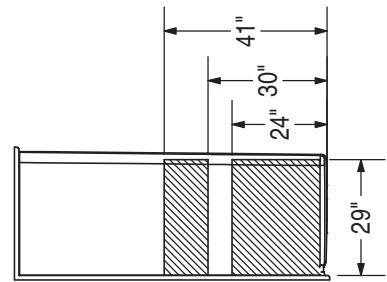


BACK WALL



REINFORCEMENT BACKING

RIGHT WALL SHOWN
LEFT WALL SYMMETRICAL



All dimensions are approximate. Structure measurements must be verified against the unit to ensure proper fit.