

TECHNICAL SPECIFICATIONS

TO-4260 AFR - Job pack of 4 AFR bathtubs

MODEL NUMBER 141362

DIMENSIONS: 60" x 41" x 16" Gelcoat



STANDARD FEATURES

- Meets FHA accessibility requirements
- Integrated tiling flange
- 2 3/4 in. Above-the-Floor Rough included
- 14 1/4" deep sump
- Bottom bathing well : 48" L x 26 1/2" W
- Textured floor
- Right or left drain
- Alcove installation
- Job pack of 4 AFR bathtubs

UNIQUE FEATURES

- Tiling Flange
- Above-the-Floor Rough (AFR)

OPTIONS

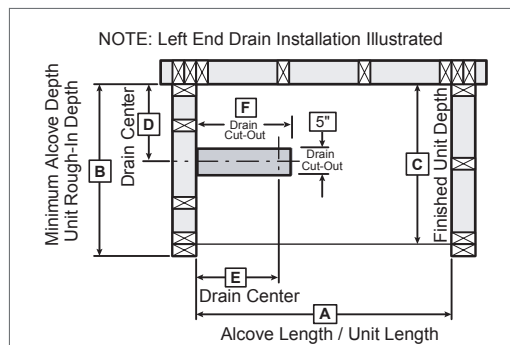
- None

SYSTEMS

- None

DOOR SELECTION

Combine with AKER's complete shower door offering visit www.akerbymax.com



Model	A	B	C	D	E	F
141354	60	42	41	20 1/2	8 1/2	11

Project :

Contractor :

AKER Representative : Tel :

Date :

CERTIFICATIONS

AKER products adhere to one or more of the following certifications:

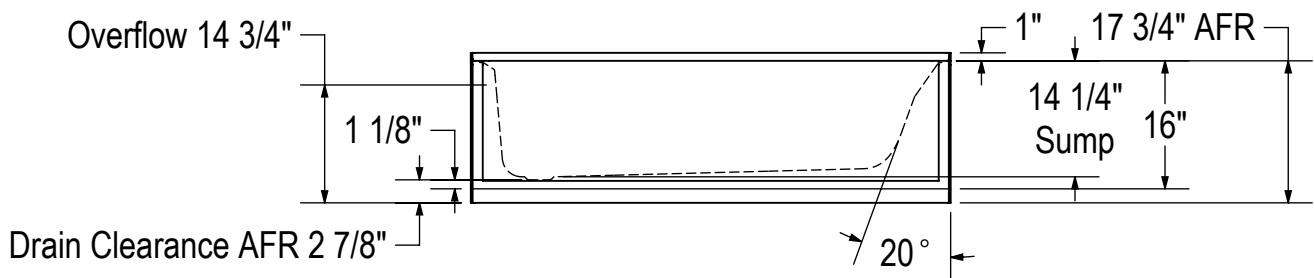
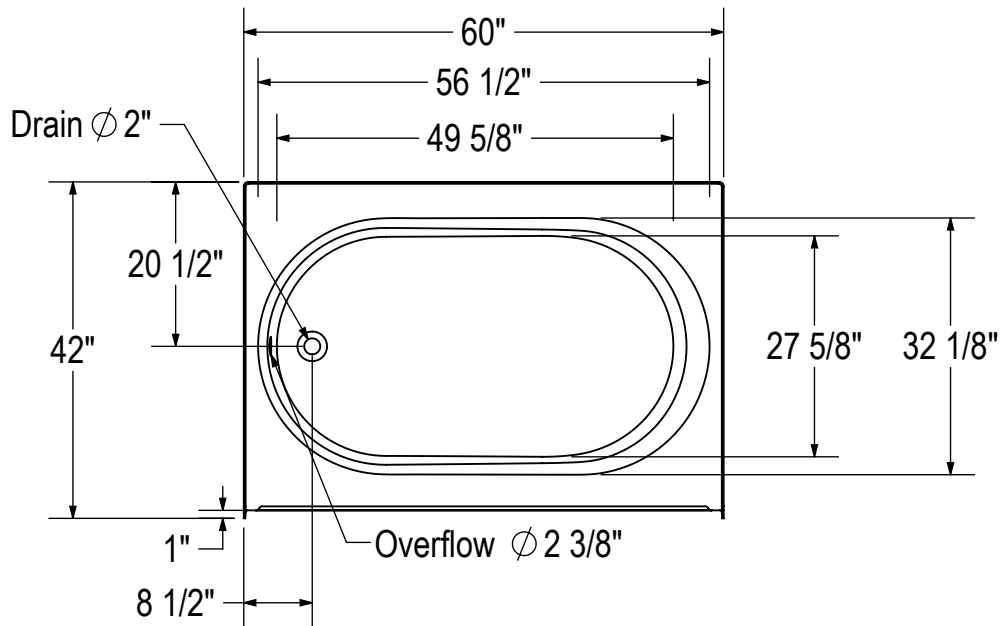


TECHNICAL SPECIFICATIONS

TO-4260 AFR - Job pack of 4 AFR bathtubs

MODEL NUMBER 141362

TECHNICAL DRAWINGS



All dimensions are approximate. Structure measurements must be verified against the unit to ensure proper fit.