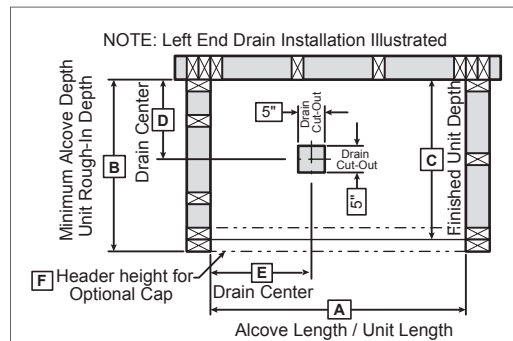
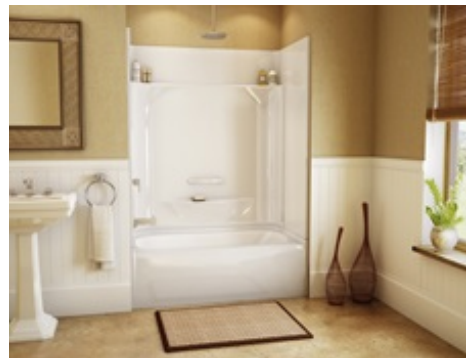


TECHNICAL SPECIFICATIONS

KDTS 2954 AFR

MODEL NUMBER 142001

DIMENSIONS: 53 7/8" x 29" x 79 7/8" Gelcoat



Model	A	B	C	D	E
142000	54"	30"	29"	13 7/8"	8 1/8"

STANDARD FEATURES

- Four-piece gelcoated fiberglass tub-shower with PIN system for easy front installation
- Large top corner shelves, wide soap dish and standard acrylic handle (opt. metallic finishes)
- Right or left-hand drain • Textured floor • Bottom bathing well: 37 7/8" L x 19 3/8" W
- Optional unique features: Reinforced walls and grab bars • 14 3/8 deep sump
- Product also available in Above-the-Floor Rough (AFR)

UNIQUE FEATURES

- PIN system
- Above-the-Floor Rough (AFR)
- KDS Series Installation

OPTIONS

- Shower base only KDTS 2954 with pin system
- Side walls (right and left) for KDTS 2954, KDTS 3060 and KDS 3060
- 142060 - Back wall for KDTS 2954
- Pre-assembled unit
- 18" Modern straight grab bar
- 24" Modern straight grab bar

SYSTEMS

- None

DOOR SELECTION

CERTIFICATIONS
 All AKER products adhere to one or more of the following certifications:
www.akerbymax.com



Project :

Contractor :

AKER Representative : Tel :

Date :

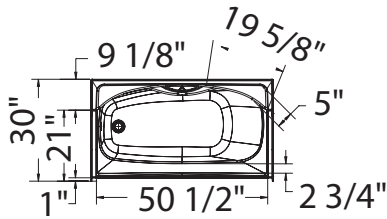
TECHNICAL SPECIFICATIONS

KDTS 2954 AFR

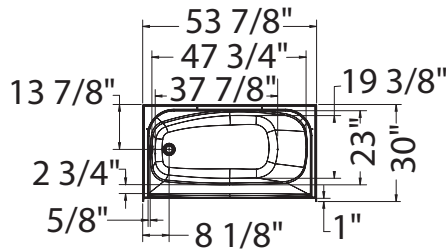
MODEL NUMBER 142001

TECHNICAL DRAWINGS

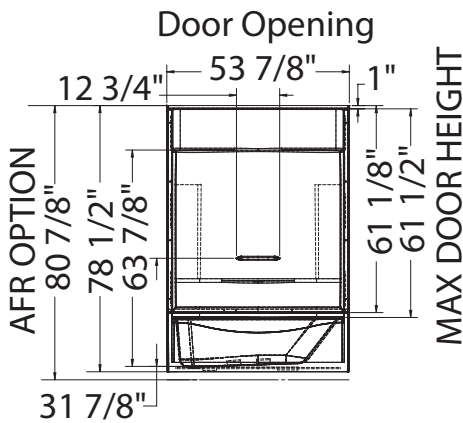
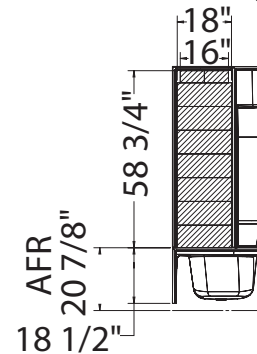
STANDARD



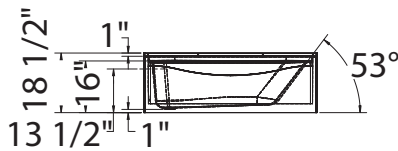
NO SYSTEM



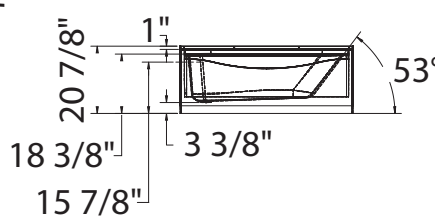
REINFORCEMENT BACKING OPTION 20212-L Shown OPTION 20212-R Symmetrical



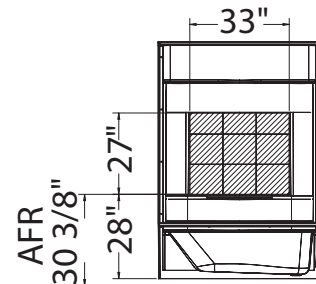
NOT ABOVE-THE-FLOOR



ABOVE-THE-FLOOR

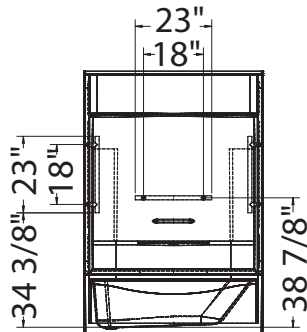


OPTION 20212-B

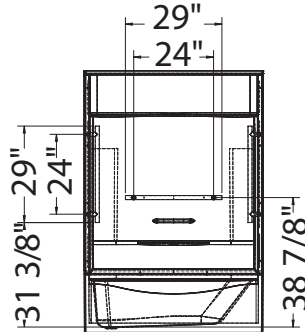


GRAB BARS

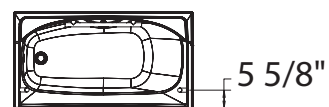
OPTION 20203



OPTION 20204



OPTION 20203-20204



All dimensions are approximate. Structure measurements must be verified against the unit to ensure proper fit.