

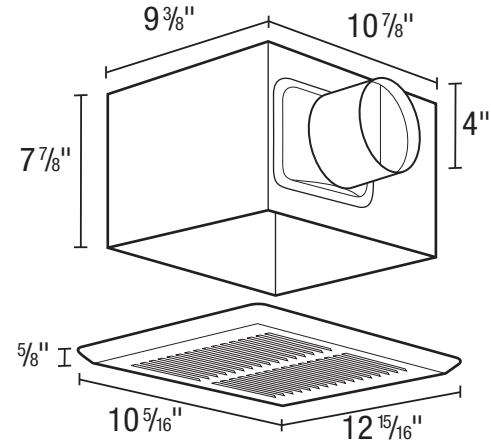


SPECIFICATIONS
FRAKV
 EXHAUST FAN

	100 CFM/2.0 Sones @ 0.10" SP. 82 CFM @ 0.25 SP. 80 CFM/1.0 Sones @ 0.10" SP. 66 CFM @ 0.25 SP.	50 CFM/0.3 Sones @ 0.10" SP. 37 CFM @ 0.25 SP. 30 CFM/<0.3 Sones @ 0.10" SP. 15 CFM @ 0.25 SP.
--	---	--

- **Grill**
Cold rolled steel, powder coated white.
- **Blower Wheel**
One piece polymeric centrifugal blower wheel, 5 1/4" diameter, 2 7/8" wide, with 30 paddles.
- **Adjustable Capacity Motor**
4 capacity settings allow the fan to be set to the required exhaust rate. Dial in capacity knob to meet air balancing requirements. Speed set points include: 30 50 80 & 100 CFM

Heavy duty, permanently split capacitor, plug-in, 4 pole motor, life time lubrication, suitable for continuous operation. Rated 120 volts, 60 hz.
Contractor Pack (Motor/BladeGrill) Model: FAK100T*
- **Fan Housing**
22 gauge galvanized steel housing, dimensions: 10 7/8" x 9 3/8" x 7 7/8".
Contractor Pack Model: AKFH2*
- **Duct Collar**
Metal collar for 4" duct connection, comes complete with built in back draft damper.
- **Unit Mounting**
FRAKV is centered between joists (with 16" centers) using hanging brackets. The housing will mount through drywall thickness up to 3/4", with a rough-in opening of 11 1/8" x 9 9/8".
- * Sold in packs of 4. All three parts (housing, damper, motor/blade/grill) must be purchased and used together to make a complete unit.
- **Damper**
Blanket - Non-asbestos, ceramic blanket
Fusible Link - Replaceable, 165°F standard
Classification - CUL Listed 555C and 263. California State Marshall classification for 3 hour fire damper rating. California State Marshall listing number 3226-1721:0109.
Contractor Pack Model: AKFD2*



Acceptable for use over tub or shower when installed in a GFCI protected branch circuit.



- **Ventilating Area**
For bathrooms up to 100 sq. ft. For other rooms up to 125 sq. ft.
- **Wood Frame Truss Design Listings**
ETL Classified UL263/E119:
L501, L502, L503, L506, L507, L508, L512, L513, L514, L515, L516, L517, L519, L521, L522, L523, L528, L530, L533, L537, L545, L546, L550, L562, L563, L570, L574, L579, L581, L583, L585, L586, M503, M530, M538, P522, P531, P538, P545, P552
cULus: L501, L502, L503, L506, L507, L508, L512, L513, L514, L515, L516, L517, L519, L522, L523, L533, L537, L545, L581, L583, M530, M538

PROJECT							ARCHITECT			
LOCATION							ENGINEER			
CONTRACTOR							SUBMITTED BY			DATE
FAN NUMBER	MODEL NUMBER	CFM	IN W.G.	RPM	WATTS	AMPS	SONES	QTY	OPTIONAL EQUIPMENT & REMARKS	



Air King: 820 Lincoln Avenue
 West Chester, Pennsylvania 19380-4466
 Tel: (610) 692-7400 • 877-304-3785
 Fax: (610) 696-8048

Canada:
 Brampton, Ontario
 Tel: 905-456-2033
 Fax: (905) 456-1015