



SPECIFICATIONS
ADA SERIES
RANGE HOOD

2100 HVI CERTIFIED
270 CFM/4.0 Sones (Vertical) @ 0.10" S.P.
150 CFM/1.5 Sones (Vertical) @ 0.10" S.P.
270 CFM/4.0 Sones (Horizontal) @ 0.10" SP.
150 CFM/1.5 Sones (Horizontal) @ 0.10" SP.

Dimensions

Overall bottom projection - 191/2"
 Height - 71/2"
 Widths - 24", 30", 36"

Hood Body

Stainless Steel or 24 gauge cold rolled steel, auto welded, powder coated

Motor

2 speed, thermally protected, permanently lubricated motor. Rated 120 volts, 60 hz. with two electronically balanced blower wheels.

Controls

Wall mounted dual rocker switch with plate, white finish. Fits into a triple gang box.

Lighting

Includes 8 Watt GU24 base LED lamp (bulb included)
 4 watt night light (bulb not included)

Ducting Options

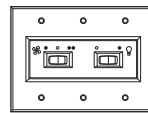
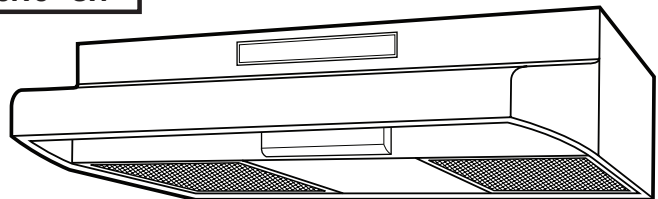
Horizontal ducting: 31/4"x10" (duct adapter and damper included)
 Vertical ducting: 31/4"x10" (duct adapter and damper included)
 Ductless*: removable front vent (charcoal filter not included)

Filters

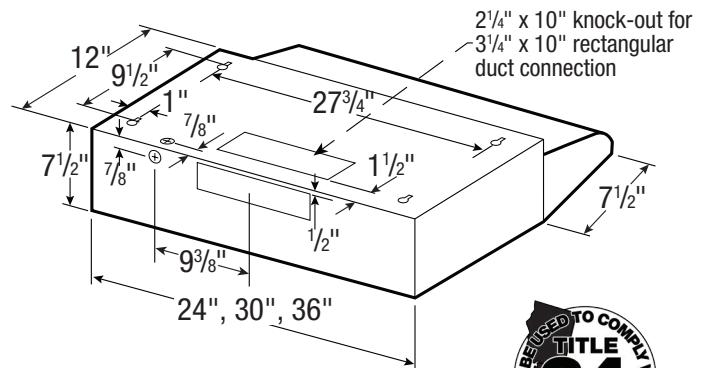
Grease Filter: Dishwasher safe, GF-01 (included).
 Charcoal Filter: CF-01 (not included).

Available Finishes

Stainless Steel (ES248ADA, ES308ADA, ES368ADA)
 White (ES243ADA, ES303ADA, ES363ADA), Biscuit (ES244ADA, ES304ADA, ES364ADA),
 Almond (ES245ADA, ES305ADA, ES365ADA), Black (ES246ADA, ES306ADA, ES366ADA)



Included Wall Control



Compliant with ADA
(Americans with Disabilities Act)

EXPANDED PERFORMANCE

Air Flow - CFM	Static Pressure (inches of w.g.)						Sones @ .1 SP	Fan Speed RPM	Power Watts	Amps
	0	0.1	0.125	0.15	0.2	0.25				
Horz Ducting High Speed	311	270	261	251	225	188	4.0	1653	73.0	1.0
Horz Ducting Low Speed	163	150	144	137	66	-	1.5	1229	41.0	1.0
Vert Ducting High Speed	310	270	261	251	225	192	4.0	1653	73.0	1.0
Vert Ducting Low Speed	159	150	148	142	114	44	1.5	1189	41.3	1.0

PROJECT							ARCHITECT				
LOCATION							ENGINEER				
CONTRACTOR							SUBMITTED BY			DATE	
FAN NUMBER	MODEL NUMBER	CFM	IN W.C.	RPM	WATTS	AMPS	SONES	QTY	OPTIONAL EQUIPMENT & REMARKS		



Air King: 820 Lincoln Avenue
 West Chester, Pennsylvania 19380-4466
 Tel: (610) 692-7400 • 877-304-3785
 Fax: (610) 696-8048

Canada:
 Brampton, Ontario
 Tel: 905-456-2033
 Fax: (905) 456-1015

* The ENERGY STAR Program for Residential Ventilating Fans has no provision for qualification of ductless range hoods (recirculating not ventilating), as a result the ENERGY STAR program applies to ducted range hoods only. Specifications subject to change without notice.