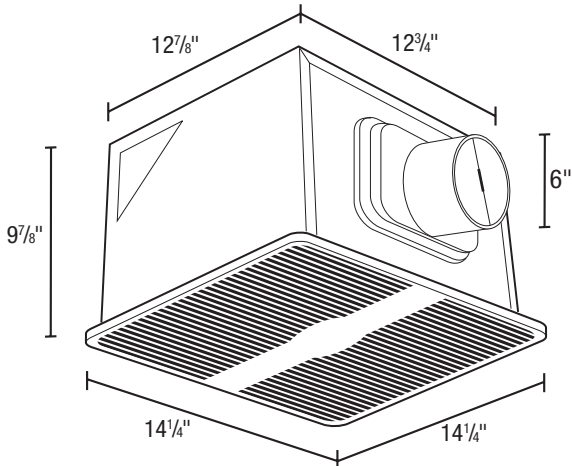




SPECIFICATIONS
D4S
 VARIABLE AIRFLOW SINGLE
 SPEED EXHAUST FAN

HVI CERTIFIED **HIGHEST AVAILABLE SPEED: 120 CFM/0.3 Sones @ 0.10" SP.**
LOWEST AVAILABLE SPEED: 40 CFM/<0.3 Sones @ 0.10" SP.

- Grill**
 White, polymeric grill secured in place with torsion springs; easily removed if necessary, dimensions - 14 1/4" x 14 1/4".
- Blower Wheel**
 Balanced polymeric dual inlet blower wheel secured in place using a hex nut.
- Adjustable Capacity DC Motor**
 9 capacity settings allow the fan to be set to the required exhaust rate for continuous ventilation. Set points include:
 40 50 60 70 80 90 100 110 & 120 CFM
 Quiet DC motor maintains CFM ratings across multiple static pressures, suitable for continuous operation, permanently lubricated, 115/120V 60 Hz., 0.4 amps. Maximum fan watts @ 0.1 SP.: 7.3 watts
 Ideal for compliance with ASHRAE 62.2, LEED, ENERGY STAR® for Homes, California Title 24 and other programs.
- Fan Housing**
 23 gauge galvanized steel housing. Overall dimensions: 12 7/8" x 12 3/4" x 9 7/8".
- Duct Collar**
 6" round, zinc plated metal collar adapter. Gasketed, spring loaded aluminum backdraft damper.
- Electrical Connections**
 1/2" electrical knockouts provided. Easy wiring access via either internal or external wiring compartment cover.
- Single Pack Shipping Info**
 Box Dim: 20" x 15 7/8" x 11 3/8"
 Shipping Weight: 17 lbs.



Acceptable for use over tub or shower when installed in a GFCI protected branch circuit.



- Unit Mounting**
 The housing will mount through drywall thickness up to 3/4", with a rough-in opening of 13 1/8" x 13". The housing will mount either between 16" or 24" on center joists, using the 2 supplied housing mounting brackets. The housing mounting brackets can be adapted for overhead mounting (hardware not provided). The unit is provided with an optionally installed ceiling flange to ensure proper building infiltration rates are maintained and that no air leaks occur between the fan housing and ceiling cutout.

SEE REVERSE SIDE FOR STATIC PRESSURE RANGES

| | | | | | | | | | | |
|-------------------|---------------------|------------|----------------|------------|--------------|-------------|---------------------|------------|---|--|
| PROJECT | | | | | | | ARCHITECT | | | |
| LOCATION | | | | | | | ENGINEER | | | |
| CONTRACTOR | | | | | | | SUBMITTED BY | | DATE | |
| FAN NUMBER | MODEL NUMBER | CFM | IN W.G. | RPM | WATTS | AMPS | SONES | QTY | OPTIONAL EQUIPMENT & REMARKS | |
| | | | | | | | | | | |



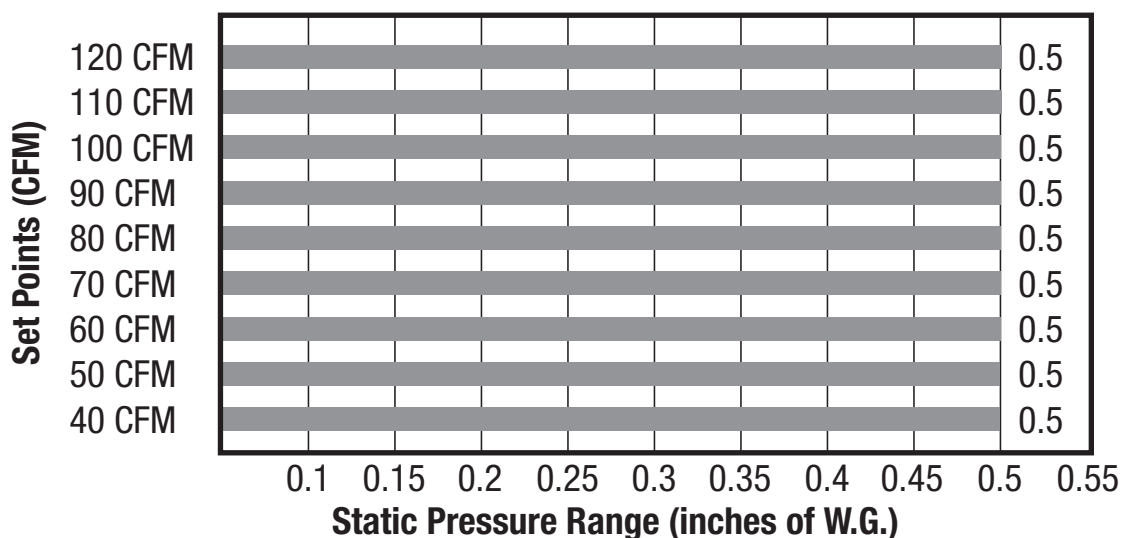
U.S.: 820 Lincoln Avenue
 West Chester, Pennsylvania 19380-4466
 Tel: (610) 692-7400 • 877-304-3785
 Fax: (610) 696-8048

Canada:
 Brampton, Ontario
 Tel: 905-456-2033
 Fax: (905) 456-1015



SPECIFICATIONS
D4S
 VARIABLE AIRFLOW SINGLE
 SPEED EXHAUST FAN

ACHIEVABLE STATIC PRESSURES



SOUND POWER LEVEL (dB)

| Airflow @ 0.1" | Full Octave Band Center Frequency (Hz) | | | | | | | | Sones |
|----------------|--|------|------|------|------|------|------|-----|-------|
| | 63 | 125 | 250 | 500 | 1k | 2k | 4k | 8k | |
| 120 | 34.7 | 40.9 | 44.4 | 40.3 | 39.0 | 30.6 | 20.2 | 8.8 | <0.3 |
| 110 | 34.7 | 40.3 | 44.1 | 40.1 | 38.0 | 29.5 | 19.0 | 7.7 | <0.3 |
| 100 | 33.8 | 39.8 | 43.8 | 39.5 | 37.1 | 28.6 | 18.0 | 7.0 | <0.3 |
| 90 | 34.5 | 38.2 | 42.2 | 37.5 | 35.4 | 26.6 | 16.0 | 5.7 | <0.3 |
| 80 | 35.1 | 37.9 | 41.9 | 36.8 | 34.9 | 25.6 | 15.2 | 5.7 | <0.3 |
| 70 | 34.8 | 37.9 | 41.0 | 36.2 | 33.4 | 24.1 | 13.6 | 5.1 | <0.3 |
| 60 | 34.4 | 38.1 | 40.5 | 35.5 | 32.3 | 22.6 | 12.7 | 4.4 | <0.3 |
| 50 | 33.4 | 37.3 | 40.5 | 35.4 | 32.2 | 22.2 | 12.7 | 4.5 | <0.3 |
| 40 | 32.8 | 37.5 | 39.7 | 34.9 | 31.5 | 21.6 | 12.0 | 4.1 | <0.3 |

| Airflow @ 0.25" | Full Octave Band Center Frequency (Hz) | | | | | | | | Sones |
|-----------------|--|------|------|------|------|------|------|-----|-------|
| | 63 | 125 | 250 | 500 | 1k | 2k | 4k | 8k | |
| 120 | 38.3 | 45.6 | 49.0 | 44.5 | 43.1 | 33.8 | 22.1 | 9.4 | 0.7 |
| 110 | 39.1 | 45.9 | 49.7 | 45.2 | 42.8 | 33.1 | 21.1 | 8.3 | 0.7 |
| 100 | 37.5 | 44.6 | 48.5 | 43.9 | 41.1 | 31.6 | 19.7 | 7.3 | 0.5 |
| 90 | 39.4 | 44.0 | 48.1 | 42.7 | 40.3 | 30.2 | 17.8 | 6.0 | 0.4 |
| 80 | 39.7 | 42.9 | 47.1 | 41.2 | 39.1 | 28.6 | 16.6 | 5.9 | 0.3 |
| 70 | 39.7 | 43.5 | 46.6 | 41.1 | 37.9 | 27.2 | 15.0 | 5.3 | <0.3 |
| 60 | 40.5 | 45.2 | 47.5 | 41.5 | 37.7 | 26.2 | 14.2 | 4.5 | <0.3 |
| 50 | 38.8 | 43.7 | 46.9 | 40.9 | 37.1 | 25.5 | 14.1 | 4.6 | <0.3 |
| 40 | 39.2 | 45.1 | 47.2 | 41.2 | 37.3 | 25.3 | 13.6 | 4.1 | <0.3 |



U.S.: 820 Lincoln Avenue
 West Chester, Pennsylvania 19380-4466
 Tel: (610) 692-7400 • 877-304-3785
 Fax: (610) 696-8048

Canada:
 Brampton, Ontario
 Tel: 905-456-2033
 Fax: (905) 456-1015