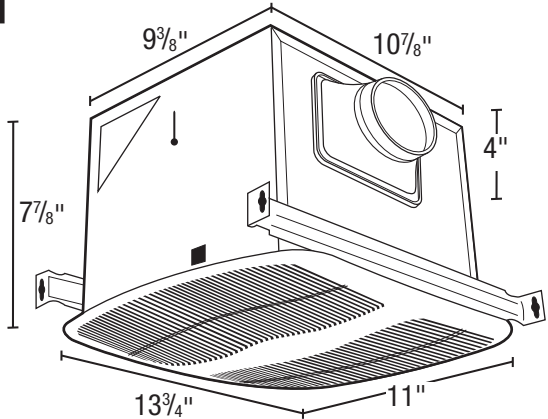




SPECIFICATIONS  
**AK80LS**  
EXHAUST FAN

**HVI 2100 CERTIFIED**    **80 CFM/0.7 Sones @ 0.10" SP.**  
**61 CFM @ 0.25 SP.**

- **Grill**  
White, polymeric grill secured in place with torsion springs; easily removed if necessary, dimensions - 11" x 13<sup>3</sup>/<sub>4</sub>".
- **Blower Wheel**  
Balanced polymeric dual inlet blower wheel 5<sup>13</sup>/<sub>32</sub>" dia. x 4" depth, 30 paddles, secured in place using 8M hex nut.
- **Motor**  
Enclosed 4 pole electronically balanced permanently split capacitor motor (PSC); life time lubrication, suitable for continuous operation. Motor bearings - ball. Rated 115/120 volts, 60 Hz.
- **Fan Housing**  
23 gauge galvanized steel housing, fully sealed. Overall dimensions 10<sup>7</sup>/<sub>8</sub>" x 9<sup>9</sup>/<sub>8</sub>" x 7<sup>7</sup>/<sub>8</sub>".
- **Duct Collar**  
Plastic collar for 4" duct connection, comes complete with built in non-metallic back draft damper for quiet operation.
- **Ventilating Area**  
For bathrooms up to 80 sq. ft. For other rooms up to 100 sq. ft.
- **Electrical Connections**  
1/2" electrical knockouts provided. Easy wiring access via either internal or external wiring compartment cover.
- **Single Pack Shipping Info**  
Box Dim Box Dim: 15<sup>15</sup>/<sub>16</sub>" x 14<sup>15</sup>/<sub>16</sub>" x 9<sup>7</sup>/<sub>8</sub>"  
UPC: 0-8316228012-1  
Shipping Weight: 11.5 lbs.



Acceptable for use over tub or shower when installed in a GFCI protected branch circuit.



- **Unit Mounting**  
The housing will mount in ceilings with at least 8" of clearance and through drywall thickness up to 3/4", with a rough-in opening of 11<sup>1</sup>/<sub>8</sub>" x 9<sup>9</sup>/<sub>8</sub>". The housing will mount either between 16" or 24" on center joists, using the 4 supplied housing mounting rails. The housing mounting rails can be adapted for overhead mounting (hardware not provided).

EXPANDED PERFORMANCE											
	Static Pressure (inches of w.g.)							Sones @ .1 SP	Fan Speed RPM	Maximum Fan Watts	Amps
	0	0.05	0.1	0.15	0.2	0.25	0.3				
<b>Air Flow - CFM</b>	87	85	80	75	68	61	56	0.7	926	25.9	0.3

<b>PROJECT</b>							<b>ARCHITECT</b>				
<b>LOCATION</b>							<b>ENGINEER</b>				
<b>CONTRACTOR</b>							<b>SUBMITTED BY</b>			<b>DATE</b>	
FAN NUMBER	MODEL NUMBER	CFM	IN W.G.	RPM	WATTS	AMPS	SONES	QTY	OPTIONAL EQUIPMENT & REMARKS		



**U.S.:** 820 Lincoln Avenue  
West Chester, Pennsylvania 19380-4466  
Tel: (610) 692-7400 • 877-304-3785  
Fax: (610) 696-8048

**Canada:**  
Brampton, Ontario  
Tel: 905-456-2033  
Fax: (905) 456-1015

Specifications subject to change without notice.