



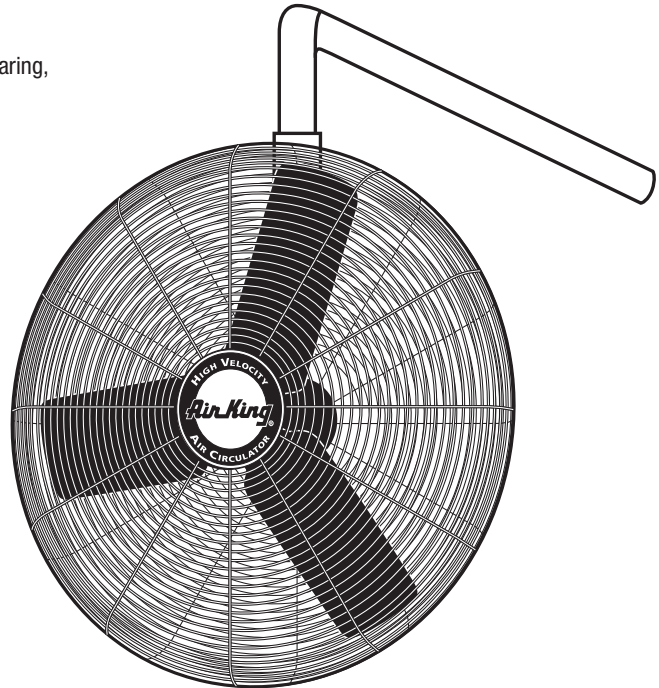
SPECIFICATIONS

**9671**

INDUSTRIAL FANS

**24" I-Beam Mount Fan**

- **Motor**  
3-speed, 1/3 HP, 120V, 1 phase, totally enclosed, ball bearing, permanently lubricated, permanent split capacitor
- **Controls**  
Rear mounted pull cord switch
- **Power Cord**  
Black, 10', 3-conductor, SJT type
- **Coating**  
Blade, Guard, and Mounts are powder coated steel
- **Compliance**  
ETL, OSHA
- **Shipping Information**  
UPC: 0-46013-38870-4  
Shipping Weight: 70.8 lbs.
- **Product Dimensions**  
41"L x 27"W x 41"H



MODEL	CFM			RPM			AMPS			WATTS			DB A		
	HIGH	MED	LOW	HIGH	MED	LOW	HIGH	MED	LOW	HIGH	MED	LOW	HIGH	MED	LOW
<b>9671</b>	5770	5250	4270	1054	869	673	2.5	2.0	1.4	332	226	152	69	67	59



**U.S.:** 820 Lincoln Drive  
West Chester, Pennsylvania 19380-4466  
Tel: (610) 692-7400 • 877-304-3785  
Fax: (610) 696-8048