



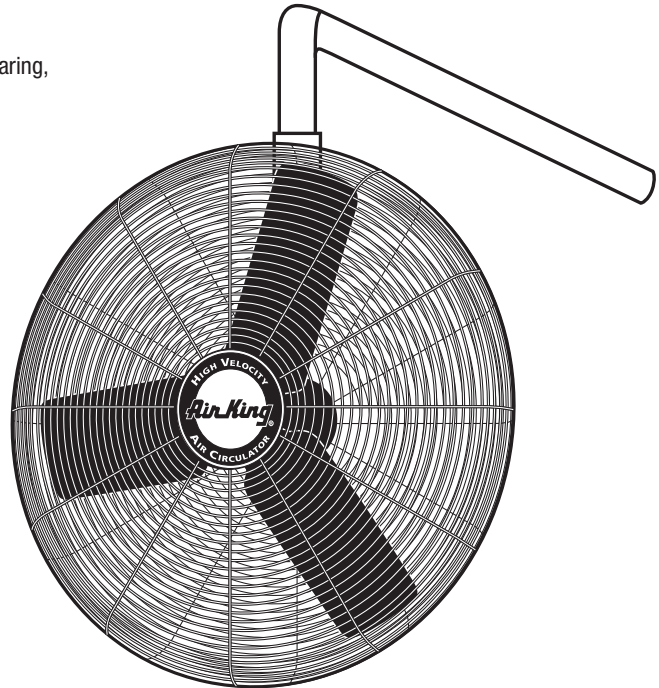
SPECIFICATIONS

**9430**

INDUSTRIAL FANS

**30" I-Beam Mount Fan**

- **Motor**  
3-speed, 1/4 HP, 120V, 1 phase, totally enclosed, ball bearing, permanently lubricated, permanent split capacitor
- **Controls**  
Rear mounted pull cord switch
- **Power Cord**  
Black, 10', 3-conductor, SJT type
- **Coating**  
Blade, Guard, and Mounts are powder coated steel
- **Compliance**  
ETL, OSHA
- **Shipping Information**  
UPC: 0-46013-39670-9  
Shipping Weight: 77.3 lbs.
- **Product Dimensions**  
42"L x 33"W x 44"H



MODEL	CFM			RPM			AMPS			WATTS			DB A		
	HIGH	MED	LOW	HIGH	MED	LOW	HIGH	MED	LOW	HIGH	MED	LOW	HIGH	MED	LOW
9430	7400	6360	4980	1040	902	860	2.4	1.9	1.5	255	200	154	75	71	67



**U.S.:** 820 Lincoln Drive  
West Chester, Pennsylvania 19380-4466  
Tel: (610) 692-7400 • 877-304-3785  
Fax: (610) 696-8048