

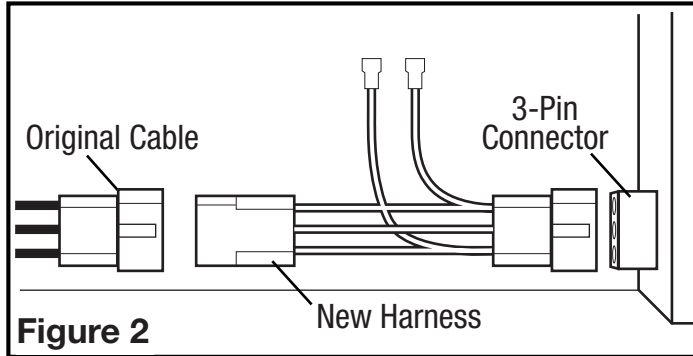
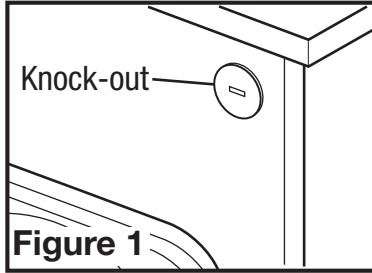
INSTRUCTION SUPPLEMENTAL

Air King Model R120

NOTE: Make sure to read all instructions included with this unit before starting installation.

Preparing the Fan

1. Locate the knock-out on the front side of the fan and remove using a straight-blade screw driver (**Figure 1**).
2. Install the included bushing into the knock-out hole.
3. Open the top access panel of the fan. On the wire compartment there is a 3 pin molex cable attached to the 3 pin connector towards the bottom of the wire compartment. Remove this cable from the wire compartment and attach the included new wire harness. Connect the end of the cable you just removed to the other end of the newly installed wire harness (**Figure 2**).



Wiring

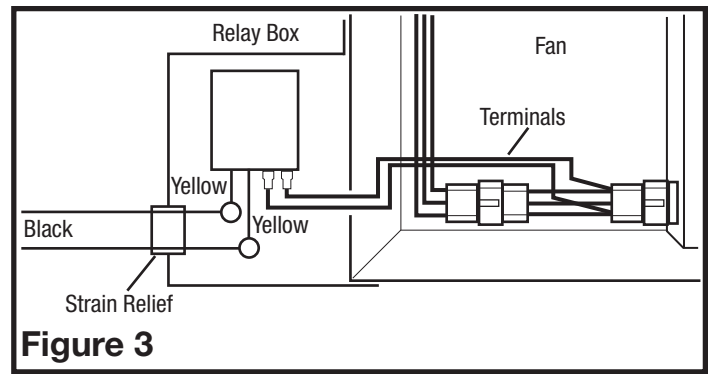


CAUTION: MAKE SURE POWER IS SWITCHED OFF AT SERVICE PANEL BEFORE STARTING INSTALLATION.



CAUTION: ALL ELECTRICAL CONNECTIONS MUST BE MADE IN ACCORDANCE WITH LOCAL CODES, ORDINANCES, OR NATIONAL ELECTRICAL CODE. IF YOU ARE UNFAMILIAR WITH METHODS OF INSTALLING ELECTRICAL WIRING, SECURE THE SERVICES OF A QUALIFIED ELECTRICIAN.

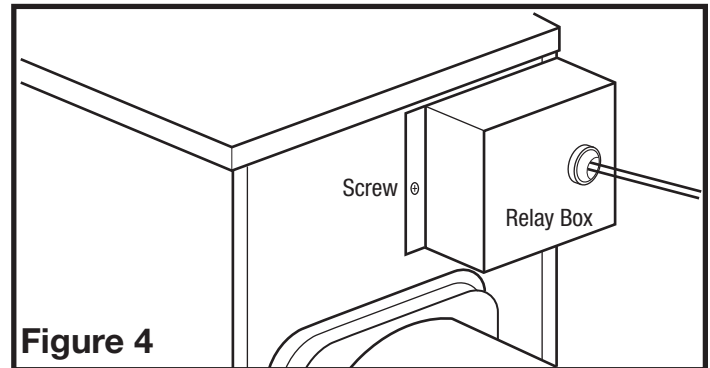
1. Install an appropriate strain relief cable clamp to the relay box. Run two wires carrying the appropriate rating from the remote location through the strain relief into the relay box. Connect one of the wires to the yellow wire from the relay marked "NO". Connect the other wire to the yellow wire from the relay marked "C". Use approved methods for all connections (**Figure 3**).



2. Feed the two terminals from the wire harness through the bushing that was installed earlier and connect to the contacts on the relay coil (#7 and #8) (**Figure 3**).

Completing the Installation

1. Re-install the access panel of the fan. Carefully tuck all the wires into the relay box and install onto the fan using the two supplied screws (**Figure 3**).



2. Restore power and test the unit.

NOTE: The remotely powered fan will turn on when the controller turns on the local blower fan.

SAVE THESE INSTRUCTIONS

