

# IMPORTANT INSTRUCTIONS - OPERATING MANUAL

LIN Series



Powered Liner



## READ AND SAVE THESE INSTRUCTIONS

READ CAREFULLY BEFORE ATTEMPTING TO ASSEMBLE, INSTALL, OPERATE OR MAINTAIN THE PRODUCT DESCRIBED. PROTECT YOURSELF AND OTHERS BY OBSERVING ALL SAFETY INFORMATION. FAILURE TO COMPLY WITH INSTRUCTIONS COULD RESULT IN PERSONAL INJURY AND/OR PROPERTY DAMAGE!



RETAIN INSTRUCTIONS FOR FUTURE REFERENCE.

## GENERAL SAFETY INFORMATION

When using electrical appliances, basic precautions should always be followed to reduce the risk of fire, electric shock and injury to person, including the following:



**WARNING:** TO REDUCE THE RISK OF FIRE, ELECTRIC SHOCK AND INJURY TO PERSON, OBSERVE THE FOLLOWING:

- Use this unit only in the manner intended by the manufacturer. If you have questions, contact the manufacturer.
- Before servicing or cleaning the unit, switch power off at service panel and lock the service disconnecting means to prevent power from being switched on accidentally. When the service disconnecting means cannot be locked, securely fasten a prominent warning device, such as a tag, to the service panel.



**WARNING:** TO REDUCE THE RISK OF FIRE, ELECTRIC SHOCK AND INJURY TO PERSON, OBSERVE THE FOLLOWING:

- Installation work and electrical wiring must be done by qualified person(s) in accordance with all applicable codes and standards, including fire-related construction.
- Sufficient air is needed for proper combustion and exhausting of gases through the flue (chimney) of fuel burning equipment to prevent back drafting. Follow the heating equipment manufacturer's guideline and safety standards such as those published by the National Fire Protection Association (NFPA) and the American Society for Heating, Refrigeration, and Air Conditioning Engineers (ASHRAE), and the local code authorities.
- When cutting or drilling into wall or ceiling, do not damage electrical wiring and other hidden utilities.



**CAUTION:** FOR GENERAL VENTILATING USE ONLY. DO NOT USE TO EXHAUST HAZARDOUS OR EXPLOSIVE MATERIALS AND VAPORS.



**CAUTION:** TO REDUCE THE RISK OF FIRE AND TO PROPERLY EXHAUST AIR, BE SURE TO DUCT AIR OUTSIDE - DO NOT VENT EXHAUST AIR INTO SPACES WITHIN WALLS OR CEILINGS OR INTO ATTICS, CRAWL SPACES, OR GARAGES.

- Ducted fans must always be vented to the outdoors.
- This unit must be grounded.
- To avoid motor bearing damage and noisy and/or unbalanced impellers, keep drywall spray, construction dust, etc. off power unit.
- Read all instructions before installing or using range hood.



**WARNING:** TO REDUCE THE RISK OF FIRE, ELECTRIC SHOCK, DO NOT USE THIS FAN WITH ANY SOLID-STATE SPEED CONTROL DEVICE.



**WARNING:** TO REDUCE THE RISK OF A RANGE TOP GREASE FIRE:

- Never leave surface units unattended at high settings. Boil overs cause smoking and greasy spillovers that may ignite. Heat oils slowly on low or medium settings.
- Always turn hood ON when cooking at high heat or when flambéing food (ie. Crepes Suzette, Cherries Jubilee, Peppercorn Beef Flambé).
- Clean ventilating fans frequently. Grease should not be allowed to accumulate on fan filter.
- Use proper pan size. Always use cookware appropriate for the size of the surface element.



**WARNING:** TO REDUCE THE RISK OF INJURY TO PERSONS IN THE EVENT OF A RANGE TOP GREASE FIRE, OBSERVE THE FOLLOWING:

- SMOTHER FLAMES with a close-fitting lid, cookie sheet, or metal tray, then turn off burner. BE CAREFUL TO PREVENT BURNS. If the flames do not go out immediately, EVACUATE AND CALL THE FIRE DEPARTMENT.
- NEVER PICK UP A FLAMING PAN - You may be burned.
- DO NOT USE WATER, including wet dishcloths or towels - a violent steam explosion will result.
- Use an extinguisher ONLY if:
  - You know you have a Class ABC extinguisher, and you already know how to operate it.
  - The fire is small and contained in the area where it started.
  - The fire department is being called.
  - You can fight the fire with your back to an exit.



**WARNING:** TO REDUCE THE RISK OF FIRE, USE ONLY METAL DUCTWORK.

## SAVE THESE INSTRUCTIONS

# INSTALLATION INSTRUCTIONS



**CAUTION:** MAKE SURE POWER IS SWITCHED OFF AT SERVICE PANEL BEFORE STARTING INSTALLATION.

**NOTE:** When installing the Liner outdoors, the Air King Professional Liners are approved for use in **covered** outdoor kitchens only. Proper duct adapters, ducting, chimneys, roof/wall caps, etc. must be utilized as called out in the following instructions. Do not install the liner in an uncovered area directly exposed to the elements.

## SECTION 1

### Preparing the Insert

- Unpack hood from the carton and confirm that all pieces are present. In addition to the range hood you should have:
  - 8 - Screws (LIN34, LIN40 models - 12; LIN46, LIN58 models - 14)
  - 2 - LED Bulbs (LIN58 models - 4)
  - 1 - Vertical Outlet Adapter
  - 1 - Grease Trough
  - 2 - Grease Baffles (LIN24, LIN46, LIN58 models - 3)
  - 2 - Spacers (LIN24 models only)
  - 1 - Instruction/Safety Sheet

**NOTE:** Some hoods may be shipped with a protective plastic adhered to the underside of the unit. It is recommended to leave this in place during installation to protect it from scratching. Remove when the installation is complete.

## SECTION 2

### Preparing the Area



**CAUTION:** MAKE SURE POWER IS SWITCHED OFF AT SERVICE PANEL BEFORE STARTING INSTALLATION.



**CAUTION:** WHEN CUTTING OR DRILLING INTO WALL DO NOT DAMAGE ELECTRICAL WIRING AND OTHER HIDDEN UTILITIES.

- Cut an appropriately sized hole for the cabinet or canopy the liner will be mounted into (Figure 1):
 

LIN24M models: 24.5" x 19.375"	LIN24MD models: 24.5" x 22.625"
LIN28M models: 28.5" x 19.375"	LIN28MD models: 28.5" x 22.625"
LIN34M models: 34.5" x 19.375"	LIN34MD models: 34.5" x 22.625"
LIN40M models: 40.5" x 19.375"	LIN40MD models: 40.5" x 22.625"
LIN46MD models: 46.5" x 22.625"	LIN58MD models: 58.5" x 22.625"

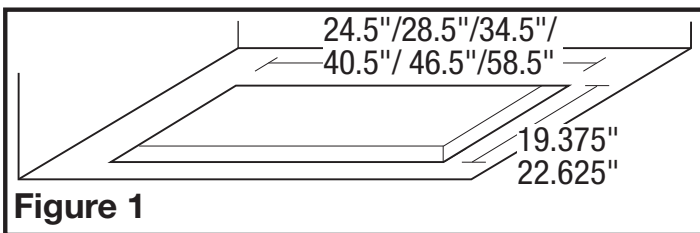


Figure 1

**NOTE:** The hood must be mounted a minimum of 24" and a maximum of 36" from the cooking surface.

## SECTION 3

### Mounting the Liner



**CAUTION:** DUE TO THE WEIGHT AND BULK OF THE UNIT, IT IS RECOMMENDED THAT THREE PEOPLE ARE PRESENT DURING INSTALLATION TO LIFT, HOLD, AND SECURE THE UNIT IN PLACE.

- Lift unit up into position so that the bottom flanges are in solid contact with the bottom of the canopy or cabinet. Using the included wood mounting screws, secure the unit to the canopy or cabinet by driving the screws through the holes (Figure 2).

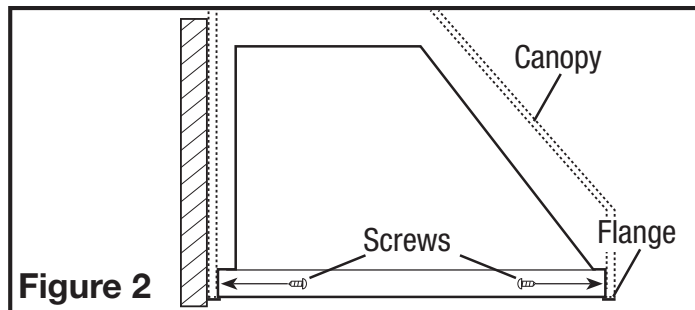


Figure 2

**NOTE:** If additional support is required, install a 2" x .75" strip of wood between the back of the canopy (rear wall) and the hood. When installing the wood strip to the back of the canopy, locate studs in the wall to support the weight of the canopy. Center the wood strip 11.5" from the bottom of the canopy and attach the strip to at least two studs in the rear wall (do not fasten the strip to drywall only). Lift unit up into position so that the bottom flanges are in solid contact with the bottom of the canopy or cabinet. Using wood screws and washers (not included) secure the hood to the wood strip through the two keyholes in the back of the hood. Using the included wood mounting screws, secure the unit to the canopy or cabinet by driving the screws through the holes (Figure 3).

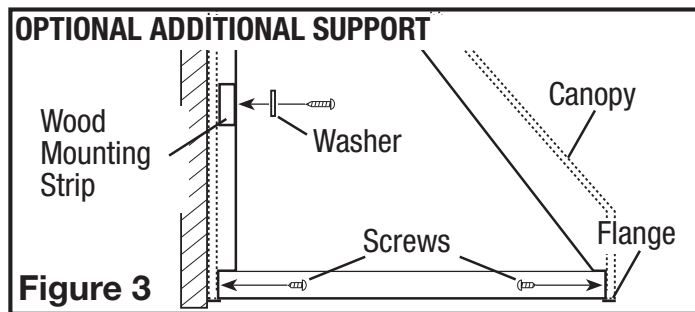


Figure 3

## SECTION 4

### Ducting



**CAUTION:** ALL DUCTING MUST COMPLY WITH LOCAL AND NATIONAL BUILDING CODES.



**WARNING:** TO REDUCE THE RISK OF FIRE, USE ONLY METAL DUCTWORK.

- Determine the type of ducting you will require (Figure 4).

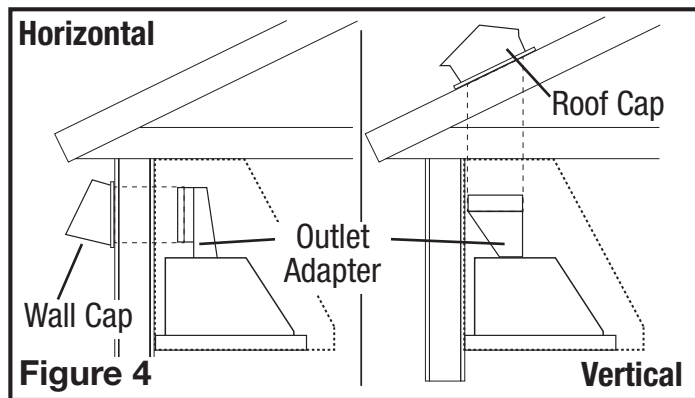


Figure 4

**NOTE:** For models using the B600 or B900 blowers, a minimum of 8" diameter outlet adapter & ducting is required to achieve the proper air flow. The B1125 requires a minimum 10" diameter adapter and ducting.

**NOTE:** When the duct termination is similar to that shown in Figure 4 (passing through the wall to which the hood is mounted) the installation requires special consideration. Depending upon where the wall studs are located, it may be necessary to cut one or more of the wall studs and install a header and footer to transfer the load to the adjacent studs. Additional studs may need to be framed into the opening to attach dry wall or secure the hood. If this is your situation Air King recommends that you hire a professional and comply with all applicable codes.

- Install the proper sized outlet adapter to the hood by matching up the four holes on the flange of the adapter to the four corresponding holes on the hood and secure in place with the provided screws. Ensure an airtight seal around the adapter by securing all connections with ducting tape (Figure 5).

## SECTION 8

### Finishing the Installation

1. Install the JA8 PAR20 medium base 7W maximum LED lamps. Install by inserting lamp into socket and turning clockwise until lamp is firmly seated. DO NOT over tighten.
2. If the included removable grease trough is not already installed within the hood, insert into the rear inside channel of the hood. Make sure the taller side of the trough is facing towards the back of the hood (Figure 9).

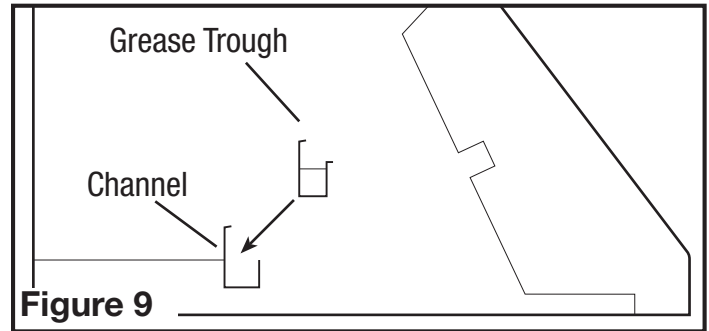


Figure 9

3. Install the baffle filters and any spacers included with the unit by inserting the top of the filter into the top channel of the hood, then slide the bottom of the filter into the bottom channel. The filters have a top and a bottom. The bottom of the filter will have small drain holes. These holes must be facing down towards the grease trough to be effective (Figure 10).

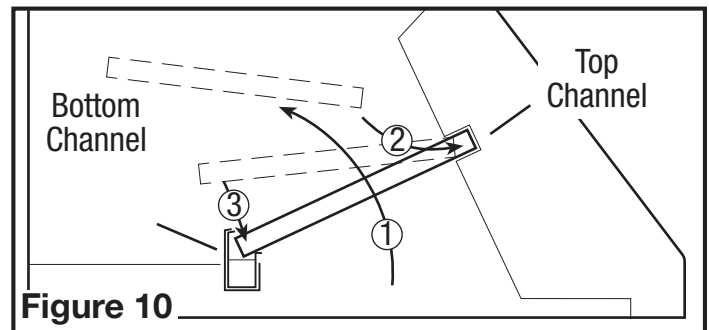


Figure 10

## SECTION 9

### Operation

#### Controls

Your Liner is equipped with two rotary switches with one controlling the lighting and the other controlling the exhaust fan blower. The light switch is dimable. The fan switch has four positions, Off, High, Medium, and Low (Figure 11).

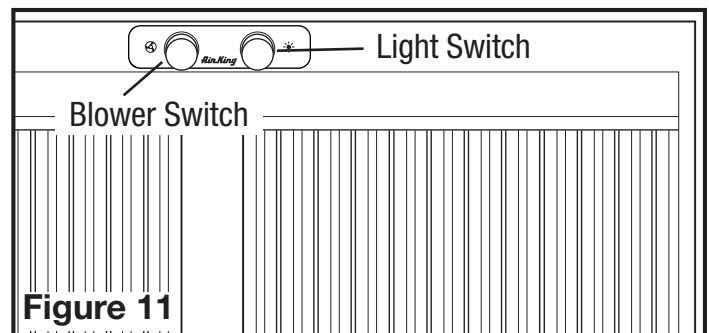


Figure 11

#### Thermostat

Your Liner is equipped with a thermostat that will automatically turn the Liner on when the temperature exceeds a set point. Once the temperature drops, the thermostat will turn the Liner off.



**CAUTION:** THE LINER SHOULD ALWAYS BE TURNED ON OR OFF USING THE CONTROL PANEL ANYTIME THE COOKING SURFACE IS BEING USED. DO NOT RELY ON THE THERMOSTAT AS THE SOLE MEANS OF TURNING THE LINER ON OR OFF!

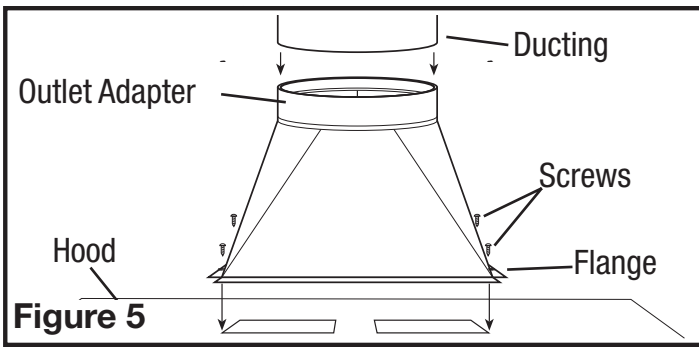


Figure 5

3. When there is access to the top of the unit, connect the ducting to the duct collar and secure in place using tape to seal all joints (Figure 5).
4. When there is no access to the top of the hood, carefully pull down the metal duct through the custom hood base hole. Slide this duct over the duct collar. Make sure the adapter/damper assembly enters the ducting. Seal the connection with duct tape.

## SECTION 5

### Wiring



**CAUTION:** ALL ELECTRICAL CONNECTIONS MUST BE MADE IN ACCORDANCE WITH LOCAL CODES, ORDINANCES, OR NATIONAL ELECTRICAL CODE. IF YOU ARE UNFAMILIAR WITH METHODS OF INSTALLING ELECTRICAL WIRING, SECURE THE SERVICES OF A QUALIFIED ELECTRICIAN.

1. Remove the two wire compartment cover screws to gain access into the wire compartment (Figure 6). Connect the white wire from the range hood to the white wire from the supply, and the black wire from the range hood to the black wire of the supply. Connect the ground wire from the home (green or bare) to the ground wire (green) from the hood. Use approved methods for all connections (Figure 7).
2. Replace the wire compartment cover and tighten screws. Make sure all wiring is securely contained within the wire compartment. If the quick connect wire connector was removed from the receptacle, replace. The connector will only fit one way into the receptacle (Figure 6).

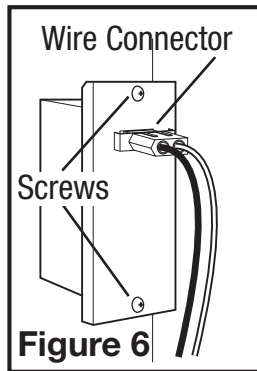


Figure 6

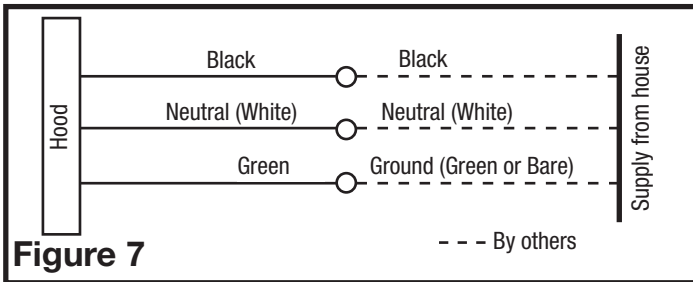


Figure 7

## SECTION 6

### Installing the Blower

1. Refer to the instructions included with the specific blower you have chosen for installation.

## SECTION 7

### Optional Motorized Damper

An optional motorized damper (sold separately) can be added to the LIN. When connected to the LIN, the motorized damper will open when the LIN is energized and will close when the LIN turns off.

1. The LIN series is equipped with a receptacle on the top of the hood that accepts a 24VAC transformer to make an electrical connection to a motorized damper (sold separately) (Figure 8).
2. Refer to the instructions included with the motorized damper for installation and operation.

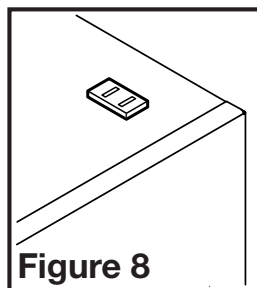


Figure 8

# SECTION 10

## Maintenance



**CAUTION:** MAKE SURE POWER IS SWITCHED OFF AT SERVICE PANEL BEFORE SERVICING THE UNIT.

### Grease Baffles

Included with your range hood are stainless steel grease baffles along with a grease trough that should be washed at least once a month. The baffles and trough are dishwasher safe and should be washed in a mild soap or detergent. Reverse the instruction in **SECTION 8** *Finishing the Installation*, to remove baffles and trough. If the grease baffles become damaged, replace with the appropriate Air King Grease Baffles as described in the parts diagram.



**CAUTION:** ALLOW BULB TO COOL BEFORE REPLACING.

### Changing the Lamps

Remove the lamp by turning slightly counter-clockwise and pulling out of the socket. Replace with a PAR20 JA8 medium base 7W maximum LED lamp.

### Fuse

To replace the fuse, turn the fuse cap located next to the wire connector counter clockwise and pull out. Replace with the proper fuse specific to your blower. Reinstall the fuse back into the hood.

### Cleaning



**CAUTION:** DO NOT USE GASOLINE, BENZINE, THINNER, HARSH CLEANSERS, ETC., AS THEY MAY DAMAGE THE RANGE HOOD.

1. Clean your power unit with a mild detergent, such as dishwashing liquid, and dry with a soft cloth. **NEVER USE ANY ABRASIVE PADS OR SCOURING POWDERS.** Completely dry before restoring power. **NEVER IMMERSE ELECTRICAL PARTS IN WATER.**
2. The fan assembly can be vacuumed when build up (dirt, lint, etc.) accumulates over time. The fan is permanently lubricated and does not require oiling.

## Troubleshooting Guide

Trouble	Probable Cause	Suggested Remedy
1. Hood does not operate when the switch is on.	1a. A fuse may be blown or a circuit tripped. 1b. Wiring is not connected properly.	1a. Replace fuse or reset circuit breaker. 1b. Turn off power to unit. Check that all wires are connected.
2. Hood is operating, but air moves slower than normal.	2. Obstruction in the exhaust ducting.	2. Check for any obstructions in the ducting including filter.
3. Hood is making a rattling noise.	3a. Filters are loose. 3b. Duct connection is loose. 3c. Damper is stuck.	3a. Turn off power to unit. Check that all filter screws are fully tightened. 3b. Turn off power to unit. Check that duct connection is tight. 3c. Turn off power to unit. Check that the damper is opening freely.

## LIMITED WARRANTY

**WHAT THIS WARRANTY COVERS:** This product is warranted against defects in workmanship and/or materials.

**HOW LONG THIS WARRANTY LASTS:** This warranty extends only to the original purchaser of the product and lasts for one (1) year from the date of original purchase or until the original purchaser of the product sells or transfers the product, whichever first occurs.

**WHAT AIR KING WILL DO:** During the warranty period, Air King will, at its sole option, repair or replace any part or parts that prove to be defective or replace the whole product with the same or comparable model.

**WHAT THIS WARRANTY DOES NOT COVER:** This warranty does not apply if the product was damaged or failed because of accident, improper handling or operation, shipping damage, abuse, misuse, unauthorized repairs made or attempted. This warranty does not cover shipping costs for the return of products to Air King for repair or replacement. Air King will pay return shipping charges from Air King following warranty repairs or replacement.

**ANY AND ALL WARRANTIES, EXPRESSED OR IMPLIED (INCLUDING, WITHOUT LIMITATION, ANY IMPLIED WARRANTY OF MERCHANTABILITY), LAST ONE YEAR FROM THE DATE OF ORIGINAL PURCHASE OR UNTIL THE ORIGINAL PURCHASER OF THE PRODUCT SELLS OR TRANSFERS THE PRODUCT, WHICHEVER FIRST OCCURS AND IN NO EVENT SHALL AIR KING'S LIABILITY UNDER ANY EXPRESS OR IMPLIED WARRANTY INCLUDE (I) INCIDENTAL OR CONSEQUENTIAL DAMAGES FROM ANY CAUSE WHATSOEVER, OR (II) REPLACEMENT OR REPAIR OF ANY HOUSE FUSES, CIRCUIT BREAKERS OR RECEPTACLES. NOTWITHSTANDING ANYTHING TO THE CONTRARY, IN NO EVENT SHALL AIR KING'S LIABILITY UNDER ANY EXPRESS OR IMPLIED WARRANTY EXCEED THE PURCHASE PRICE OF THE PRODUCT AND ANY SUCH LIABILITY SHALL TERMINATE UPON THE EXPIRATION OF THE WARRANTY PERIOD.**

Some states and provinces do not allow limitations on how long an implied warranty lasts, or the exclusion or limitation of incidental or consequential damages, so these exclusions or limitations may not apply to you. This warranty gives you specific legal rights. You may also have other rights which vary from state to state and province to province. Proof of purchase is required before a warranty claim will be accepted.

## CUSTOMER SERVICE:

Toll-Free (800) 465-7300

Our Customer Service team is available to assist you with product questions, service center locations, and replacement parts. They can be reached Monday through Friday, 8am-4pm Eastern.

Please have your model number available, as well as the type and style (located on the label inside of your product).

Please do not return product to place of purchase.

[www.airkinglimited.com](http://www.airkinglimited.com)

**PARTS FOR DISCONTINUED, OBSOLETE AND CERTAIN OTHER PRODUCTS MAY NOT BE AVAILABLE. DUE TO SAFETY REASONS, MANY ELECTRONIC COMPONENTS AND MOST HEATER COMPONENTS ARE NOT AVAILABLE TO CONSUMERS FOR INSTALLATION OR REPLACEMENT.**

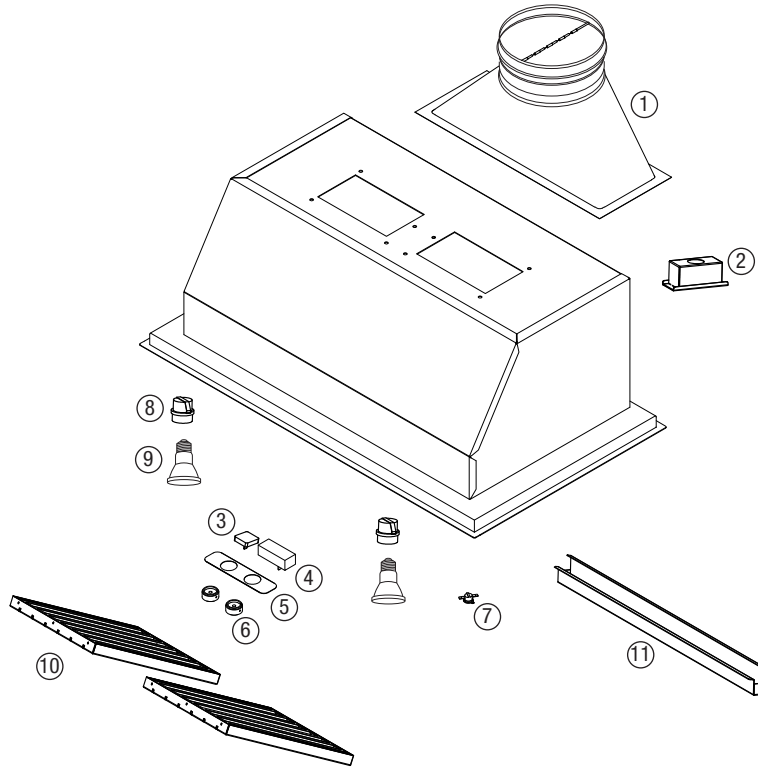
Installer: \_\_\_\_\_

Installation Date: \_\_\_\_\_

Place of Purchase: \_\_\_\_\_

Model Number: \_\_\_\_\_

# REPLACEMENT PARTS DIAGRAM



## ALL LIN MODELS

#	Qty.	Description	Replacement Part #
1	1	Vertical Outlet Adapter (300, 500, 600 CFM)	5S1136141
	1	Vertical Outlet Adapter (900 CFM)	5S1136142
	1	Vertical Outlet Adapter (1200 CFM)	5S1136143
2	1	Wire Box	5S1136064
3	1	Fan Switch	5S9141014
4	1	Light Switch	5S1141013
5	1	Switch Plate	5S1142010
6	2	Knob	5S9141015
7	1	Thermostat	5S9141016

## LIN24 MODELS

#	Qty.	Description	Replacement Part #
8	2	Lamp Holder	5S1136075
9	2	7W LED Lamp	5S1136099
10	3	Baffle Filter - PHGB1	5S1136077
11	1	Grease Tray	5S1141320
	2	Filter Spacer	5S1141221

## LIN28 MODELS

#	Qty.	Description	Replacement Part #
8	2	Lamp Holder	5S1136075
9	2	7W LED Lamp	5S1136099
10	2	Baffle Filter - PHGB2	5S1136078
11	1	Grease Tray	5S1141370

## LIN34 MODELS

#	Qty.	Description	Replacement Part #
8	2	Lamp Holder	5S1136075
9	2	7W LED Lamp	5S1136099
10	2	Baffle Filter - PHGB3	5S1136079
11	1	Grease Tray	5S1136135

## LIN40 MODELS

#	Qty.	Description	Replacement Part #
8	2	Lamp Holder	5S1136075
9	2	7W LED Lamp	5S1136099
10	2	Baffle Filter - PHGB3	5S1136079
11	1	Grease Tray	5S1136135

## LIN46 MODELS

#	Qty.	Description	Replacement Part #
8	2	Lamp Holder	5S1136075
9	2	7W LED Lamp	5S1136099
10	3	Baffle Filter - PHGB3	5S1136079
11	1	Grease Tray	5S1136139

## LIN58 MODELS

#	Qty.	Description	Replacement Part #
8	2	Lamp Holder	5S1136075
9	3	7W LED Lamp	5S1136099
10	3	Baffle Filter - PHGB3	5S1136079
11	1	Grease Tray	5S1136139

# NOTES



# INSTRUCTIONS IMPORTANTES – MODE D'EMPLOI

Série LIN

**Air King**  
Ventilation Products®

Revêtements alimentaires



## LIRE ET CONSERVER CES INSTRUCTIONS

LIRE SOIGNEUSEMENT AVANT DE TENTER D'ASSEMBLER, INSTALLER, OPÉRER OU DE RÉPARER LE PRODUIT DÉCRIT. PROTÉGEZ VOUS-MÊME ET LES AUTRES EN OBSERVANT TOUTE L'INFORMATION DE SÉCURITÉ. FAILLIR À SE CONFORMER AUX INSTRUCTIONS PEUT RÉSULTER EN BLESSURE PERSONNELLE GRAVE ET/OU EN DOMMAGE À LA PROPRIÉTÉ.

CONSERVER CES INSTRUCTIONS POUR RÉFÉRENCES FUTURES.



## INSTRUCTIONS GÉNÉRALES DE SÉCURITÉ

Lors de l'utilisation d'appareils électriques, des précautions de base doivent toujours être suivies pour réduire les risques d'incendie, de choc électrique et de blessures corporelles, incluant ce qui suit:



**AVERTISSEMENT :** POUR RÉDUIRE LES RISQUES D'INCENDIE, DE CHOC ÉLECTRIQUE OU DE BLESSURES PERSONNELLES OBSERVER CE QUI SUIT:

- Utiliser cette unité seulement de la manière pour laquelle le fabricant l'a conçu. Si vous aviez des questions, veuillez contacter le fabricant.
- Avant d'effectuer un service ou de nettoyer l'unité, couper l'alimentation électrique dans le panneau de distribution et verrouiller le dispositif de déconnexion afin d'éviter que l'alimentation ne revienne accidentellement. Lorsque le dispositif ne peut être verrouillé, fixer solidement un avis d'avertissement, tel qu'une étiquette, au panneau de distribution.



**AVERTISSEMENT :** POUR RÉDUIRE LES RISQUES D'INCENDIE, DE CHOC ÉLECTRIQUE OU DE BLESSURES PERSONNELLES OBSERVER CE QUI SUIT:

- Le travail d'installation et le câblage électrique doivent être effectués par une(des) personne(s) qualifiée(s) en conformité avec tous les codes et normes applicables, incluant la construction relative aux incendies.
- De l'air en quantité suffisante est requis pour la bonne combustion et l'évacuation de gaz par le conduit (cheminée) provenant d'équipement de brûlage au combustible pour prévenir un refoulement. Suivre les directives du fabricant de l'équipement de chauffage et les normes de sécurité telles que celles publiées par la National Fire Protection Association (NFPA) et de la American Society for Heating, Refrigeration, and Air Conditioning Engineers (ASHRAE), et de celles des autorités locales du code.
- Lorsque vous coupez ou percez un mur ou un plafond, prenez garde de ne pas endommager les fils électriques ou tout appareil qui pourrait être dissimulé.



**AVERTISSEMENT :** POUR RÉDUIRE LES RISQUES D'INCENDIE ET POUR ÉVACUER L'AIR ADÉQUATEMENT, ASSUREZ-VOUS D'ÉVACUER L'AIR VERS L'EXTÉRIEUR – NE PAS ÉVACUER L'AIR DANS DES ESPACES DANS LES MURS, LES PLAFONDS OU LES GRENIERS, LES GALERIES TECHNIQUES OU LES GARAGES.



**AVERTISSEMENT :** POUR USAGE DE VENTILATION GÉNÉRALE EXCLUSIVEMENT. NE PAS UTILISER POUR ÉVACUER DU MATÉRIEL ET DES VAPEURS DANGEREUSES OU EXPLOSIVES.

- Les ventilateurs avec conduits doivent toujours être évacués vers l'extérieur.
- Cette unité doit être mise à la terre.
- Pour éviter des dommages aux roulements des moteurs et/ou des hélices bruyantes ou déséquilibrées, empêcher la poussière de cloison sèche, poussière de construction, etc., d'atteindre l'unité de puissance.
- Lire toutes les instructions avant d'installer ou d'utiliser la hotte de cuisine.



**AVERTISSEMENT :** POUR RÉDUIRE LES RISQUES D'INCENDIE OU DE CHOC ÉLECTRIQUE, NE PAS UTILISER CE VENTILATEUR AVEC UN RÉGULATEUR DE VITESSE ÉLECTRONIQUE.



**AVERTISSEMENT :** POUR RÉDUIRE LES RISQUES D'INCENDIE DE GRAISSE SUR LE DESSUS DE LA CUISINIÈRE:

- Ne jamais laisser les unités de surface à des degrés élevés sans surveillance. Les débordements par bouillonnement produisent de la fumée et des débordements graisseux qui peuvent s'enflammer. Chauffer les huiles lentement à des degrés faibles ou modérés.
- Toujours mettre la hotte EN MARCHE lors de cuisson à haute température ou lors de flambage de nourriture (par ex., des Crêpes Suzette, de Cerises Jubilées, steak flambé, etc.)
- Nettoyer les ventilateurs d'évacuation fréquemment. Aucune accumulation de graisse ne devrait être tolérée sur les filtres du ventilateur.
- Utiliser des poêlons de taille appropriée. Toujours utiliser les batteries de cuisine appropriées pour la taille de l'élément de surface.



**AVERTISSEMENT :** POUR RÉDUIRE LES RISQUES DE BLESSURES PERSONNELLES DANS L'ÉVENTUALITÉ D'UN FEU DE GRAISSE SUR LA SURFACE DE CUISSON, SUIVRE LES INDICATIONS SUIVANTES:

- ÉTOUFFER LES FLAMMES avec un couvercle bien ajusté, une tôle à biscuits, ou un cabaret de métal, puis, mettre le gril hors fonction. PRENEZ SOIN D'ÉVITER LES BRÛLURES. Si les flammes ne s'éteignent pas immédiatement, ÉVACUER ET APPELER LE SERVICE DES INCENDIES.
- NE JAMAIS SAISIR UN POÉLON EN FLAMME – vous pourriez être brûlé.
- NE PAS UTILISER DE L'EAU, incluant les linges à vaisselle ou les serviettes mouillées – il en résulterait une violente explosion de vapeur.
- Utiliser un extincteur SEULEMENT SI:
  - Vous savez que vous avez un extincteur de classe ABC, et que vous savez déjà comment l'opérer.
  - Le feu est petit et contenu dans la zone où il a commencé.
  - On appelle le service des incendies.
  - Vous pouvez combattre l'incendie avec une sortie derrière vous.



**AVERTISSEMENT :** POUR RÉDUIRE LES RISQUES D'INCENDIE, UTILISER UNIQUEMENT DES CONDUITS EN MÉTAL.

## CONSERVER CES INSTRUCTIONS

# INSTRUCTIONS POUR L'INSTALLATION



**AVERTISSEMENT : VOUS ASSURER QUE L'ALIMENTATION EST COUPÉE AU PANNEAU DE SERVICE AVANT DE COMMENCER L'INSTALLATION.**

**REMARQUE :** Lorsque vous installez le revêtement à l'extérieur, les revêtements professionnels d'Air King sont approuvés pour une utilisation dans les cuisines **couvertes** à l'extérieur seulement. Vous devez utiliser les adaptateurs de conduit, conduits, cheminées, couvertures de toit/mur, etc. appropriées selon les instructions suivantes. N'installez pas le revêtement dans une zone à découvert directement exposé aux éléments.

## SECTION 1

### Préparation de l'insert

- Sortez la hotte de l'emballage et assurez-vous d'avoir toutes les pièces. En plus de la hotte, vous devriez avoir :
  - 8 - Vis (modèles LIN34, LIN40 - 12 ; modèles LIN46, LIN58 - 14)
  - 2 - Lampes DEL (modèle LIN58 - 4)
  - 1 - Adaptateur de sortie vertical
  - 1 - Dalot à graisse
  - 2 - Défecteurs de graisse (modèles LIN24, LIN46, LIN58 - 3)
  - 2 - Entretoises (modèles LIN24 seulement)
  - 1 - Instructions et mesures de sécurité

**REMARQUE :** Certaines hottes peuvent être expédiées avec protecteur en plastique collé à la hotte. Il est recommandé de le laisser en place durant l'installation pour protéger la hotte contre les égratignures. Enlever une fois l'installation complétée.

## SECTION 2

### Préparation de la région



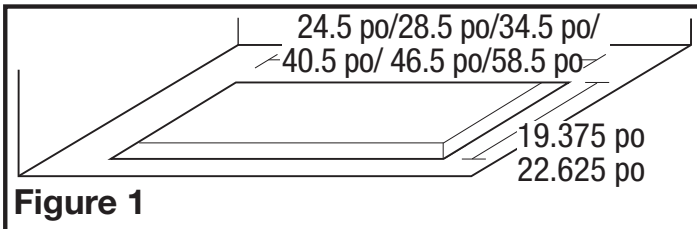
**AVERTISSEMENT : VOUS ASSURER QUE L'ALIMENTATION EST COUPÉE AU PANNEAU DE SERVICE AVANT DE COMMENCER L'INSTALLATION.**



**AVERTISSEMENT : LORS DE DECOUPE OU DE PERÇAGE DANS UN MUR NE PAS ENDOMMAGER DE FILAGE ELECTRIQUE OU AUTRES UTILITES DISSIMULEES.**

- Taillez un trou d'une grandeur appropriée pour l'armoire dans lequel le revêtement sera monté (**Figure 1**) :

Modèles LIN24M : 24.5 po x 19.375 po	Modèles LIN24MD : 24.5 po x 22.625 po
Modèles LIN28M : 28.5 po x 19.375 po	Modèles LIN28MD : 28.5 po x 22.625 po
Modèles LIN34M : 34.5 po x 19.375 po	Modèles LIN34MD : 34.5 po x 22.625 po
Modèles LIN40M : 40.5 po x 19.375 po	Modèles LIN40MD : 40.5 po x 22.625 po
Modèles LIN46MD : 46.5 po x 22.625 po	Modèles LIN58MD : 58.5 po x 22.625 po



**REMARQUE :** La hotte doit être montée à un minimum de 24 po et à un maximum de 36 po de la surface de cuisson.

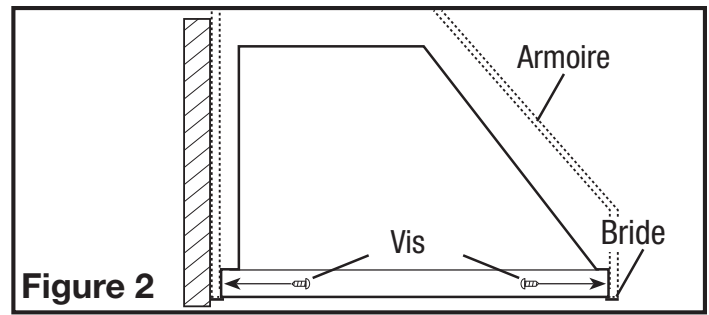
## SECTION 3

### Montage du revêtement

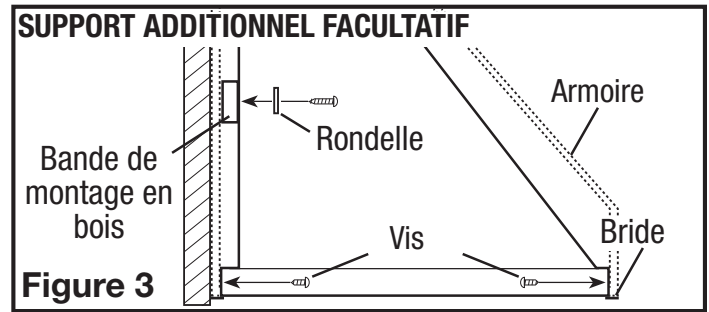


**AVERTISSEMENT : EN RAISON DU POIDS ET DE LA GRANDEUR DE L'UNITÉ, ON VOUS RECOMMANDE QUE TROIS PERSONNES SOIENT PRÉSENTES PENDANT L'INSTALLATION POUR SOULEVER, TENIR, ET FIXER L'UNITÉ EN PLACE.**

- Soulevez l'unité vers le haut et placez-la de sorte que les arêtes inférieures soient en plein contact avec le fond de l'armoire. En utilisant les vis de support en bois incluses, fixez l'unité dans l'armoire en enfonçant les vis à l'intérieur des trous (**Figure 2**).



**REMARQUE :** Si vous avez besoin d'un support additionnel, installez une bande en bois de 2 po X .75 po entre le dos de l'armoire (mur arrière) et la hotte. En installant la bande en bois sur le dos de l'armoire, localisez les goujons dans le mur pour soutenir le poids de l'armoire. Centrez la bande en bois à 11.5 po du fond de l'armoire et attachez la bande à au moins deux goujons dans le mur arrière (n'attachez pas la bande à la cloison sèche seulement). Soulevez l'unité vers le haut et placez-la de sorte que les arêtes du fond soient en plein contact avec le fond de l'armoire. Utilisant des vis en bois et des rondelles (non incluses) fixez la hotte à la bande en bois par les deux trous dans le dos de la hotte. En utilisant les vis de support en bois incluses, fixez l'unité dans l'armoire en enfonçant les vis à l'intérieur des trous (**Figure 3**).



## SECTION 4

### Conduits

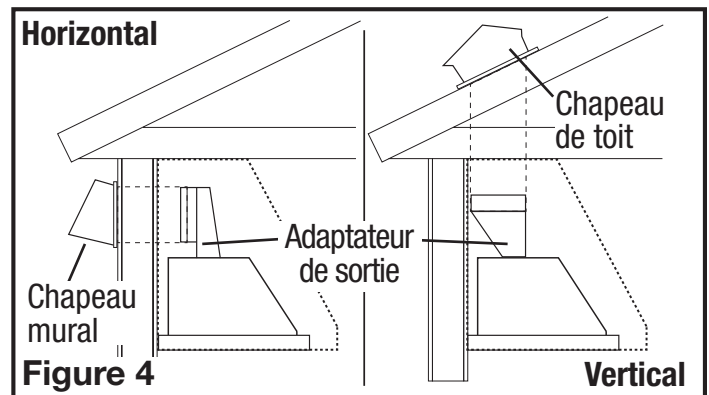


**AVERTISSEMENT : TOUS LES CONDUITS DOIVENT ÊTRE CONFORMES AUX CODES LOCAL ET NATIONAL DU BÂTIMENT.**



**AVERTISSEMENT : POUR RÉDUIRE LES RISQUES D'INCENDIE UTILISER UNIQUEMENT DES CONDUITS EN MÉTAL.**

- Déterminez le type de conduits dont vous aurez besoin (**Figure 4**).

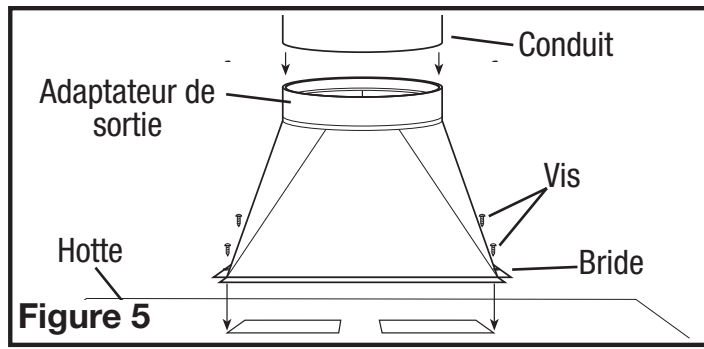


**REMARQUE :** Pour des modèles utilisant le ventilateur B300, B500 ou B600, un conduit et un adaptateur de sortie de 6 po de diamètre au minimum sont exigés pour obtenir la circulation d'air appropriée. Le B900 exige un conduit et un adaptateur de sortie de 8 po de diamètre au minimum. Le B1125 exige un conduit et un adaptateur de sortie de 10 po de diamètre au minimum.

**REMARQUE :** Lorsque la terminaison du conduit est similaire à celle illustrée à la figure 4 (passant au travers du mur sur lequel la hotte est installée) l'installation requiert une considération spéciale. Dépendant de où les montants muraux sont situés, il peut être nécessaire de couper un montant mural ou plus et d'installer une chevette et une assise pour transférer la charge aux montants adjacents. Des montants additionnels pourraient devoir être bâtis dans l'ouverture pour fixer la cloison sèche et pour fixer la hotte. Si vous rencontrez cette situation, Air King recommande que vous embauchiez un professionnel et que vous vous conformiez avec tous les codes du bâtiment applicables.

- Installer l'adaptateur mural de la bonne taille requise à la hotte en appariant les quatre trous sur la bride de l'adaptateur aux quatre trous correspondants sur la hotte et fixer en place avec les vis comprises. Assurez-vous que le joint est étanche autour de l'adaptateur en sécurisant tous les raccords avec du ruban de gaine (**Figure 5**).





3. Quand il y a accès au dessus de l'unité, reliez la canalisation au collier de conduit et fixez-la en place en utilisant un ruban adhésif pour sceller tous les joints (Figure 5).
4. Quand il n'y a aucun accès au dessus de la hotte, abaissez soigneusement le conduit en métal par le trou à la base de la hotte. Glissez ce conduit au-dessus du collier de conduit. Assurez-vous que l'assemblage de la pièce d'ajustage / du clapet entre dans la canalisation. Scellez le raccordement avec le ruban adhésif de conduit.

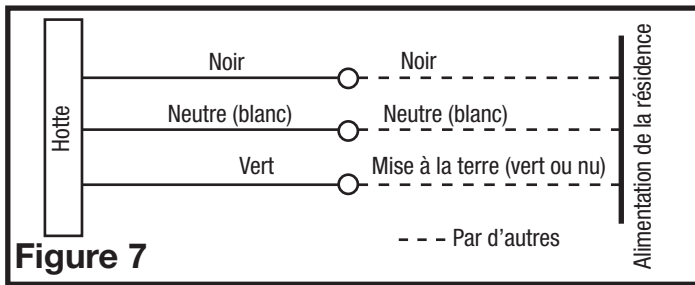
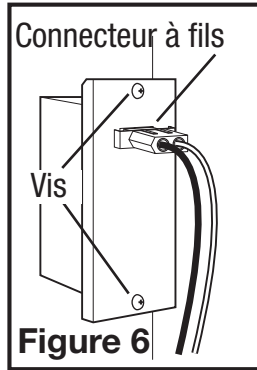
## SECTION 5

### Câblage



**AVERTISSEMENT : TOUTES LES CONNEXIONS DOIVENT ÊTRE FAITES EN CONFORMITÉ AVEC LES CODES ÉLECTRIQUES LOCAUX OU NATIONAUX. SI VOUS N'ÊTES PAS FAMILIER AVEC LES MÉTHODES D'INSTALLATION DE CÂBLAGE ÉLECTRIQUE, RECOURREZ AUX SERVICES D'UN ÉLECTRICIEN QUALIFIÉ.**

1. Enlever les deux vis du couvercle du compartiment de câblage pour obtenir l'accès au compartiment de câblage (Figure 6). Raccorder le fil blanc de la hotte au fil blanc de l'alimentation, et le fil noir de la hotte au fil noir de l'alimentation. Raccorder le fil de mise à la terre de la maison (fil nu ou vert) au fil de mise à la terre (vert) de la hotte. Utiliser des méthodes approuvées pour toutes les connexions (Figure 7).
2. Replacer le couvercle du compartiment de câblage et serrer les vis. Assurez-vous que tout le câblage est fermement contenu dans le compartiment à câblage. Si le connecteur rapide de fils a été enlevé du réceptacle, le replacer. Le connecteur ne s'ajustera que d'une seule façon dans le réceptacle (Figure 6).



## SECTION 6

### Installation de la soufflante

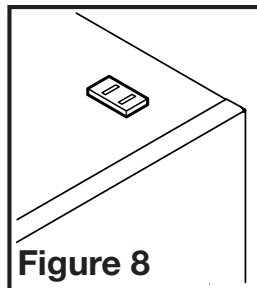
1. Référez-vous aux instructions comprises avec la soufflante spécifique que vous avez choisie pour l'installation.

## SECTION 7

### Amortisseur motorisé optionnel

Un amortisseur motorisé optionnel (vendu séparément) peut être ajouté à LIN. Lorsqu'il est connecté au LIN, l'amortisseur motorisé s'ouvre lorsque le LIN est activé et se ferme lorsque le LIN s'éteint.

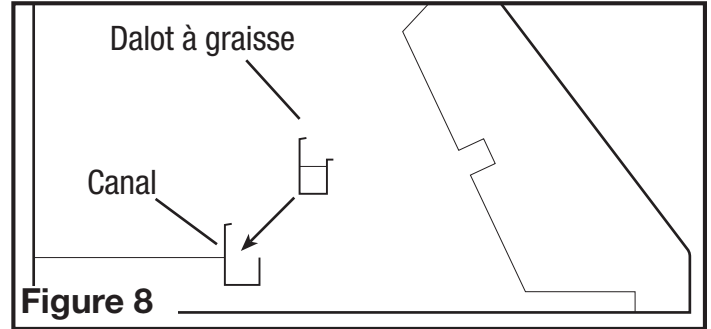
1. La série LIN est équipée d'un réceptacle sur le dessus de la hotte qui accepte un transformateur 24 VCA pour effectuer une connexion électrique à un amortisseur motorisé (vendu séparément) (Figure 8).
2. Référez-vous aux instructions comprises avec le amortisseur motorisé pour l'installation et le fonctionnement.



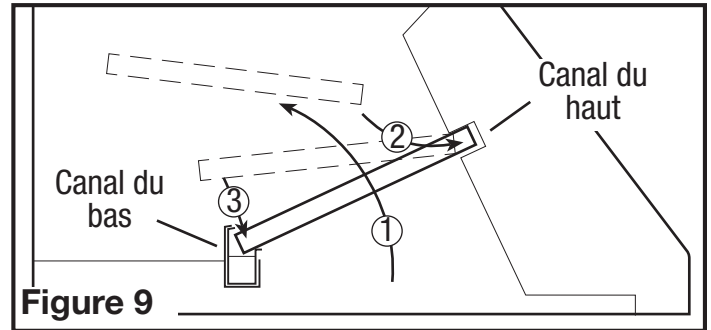
## SECTION 8

### Terminer l'installation

1. Installer des lampes JA8 PAR20, de base moyenne, d'un maximum de 7 watts. L'installer en insérant la lampe dans le réceptacle et en tournant en sens horaire jusqu'à ce que la lampe soit fermement installée. NE PAS serrer à outrance.
2. Si le dalot à graisse rétractable compris n'est pas déjà installé dans la hotte, l'insérer dans le canal intérieur arrière de la hotte. Assurez-vous que le côté le plus long du dalot fait face vers l'arrière de la hotte (Figure 8).



3. Installez les filtres à chicanes et toutes les entretoises inclus avec l'unité en insérant le dessus du filtre dans le canal supérieur du capot, puis faites glisser le bas du filtre dans le canal inférieur. Les filtres comprennent un dessus et un dessous. Le dessous du filtre aura des trous de vidange de petite taille. Ces trous doivent être orientés vers le bas vers le collecteur de graisse pour être efficace (Figure 9).

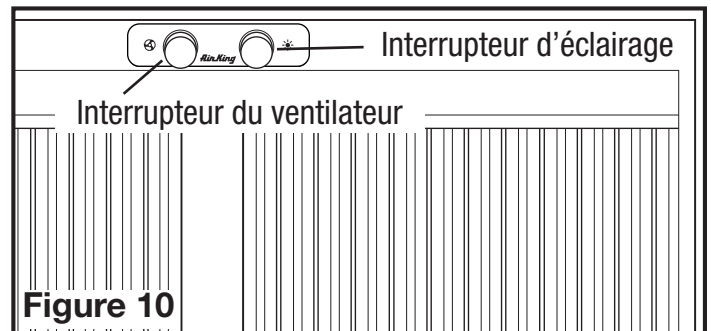


## SECTION 9

### Operation

#### Contrôles

Votre revêtement est équipée avec deux interrupteurs rotatifs dont l'un contrôle l'éclairage et l'autre contrôle la soufflante du ventilateur d'évacuation. L'interrupteur de l'éclairage est réglable. Le commutateur de vitesse du ventilateur a quatre positions, Éteinte, Haute, Moyenne, et Basse (Figure 10).



#### Thermostat

Votre revêtement est équipé d'un thermostat qui allumera automatiquement le revêtement quand la température dépasse un point déterminé. Une fois que la température s'abaisse, le thermostat éteindra le revêtement.



**AVERTISSEMENT : LE REVÊTEMENT DOIT TOUJOURS ÊTRE ACTIVÉ OU DÉSACTIVÉE PAR LE PANNEAU DE CONTRÔLE LORSQUE LA SURFACE À CUIRE EST UTILISÉE. NE COMPTEZ PAS SUR LE THERMOSTAT COMME LE SEUL MOYEN D'ALLUMER OU D'ÉTEINDRE LE REVÊTEMENT !**

# SECTION 10

## Maintenance



**AVERTISSEMENT : VOUS ASSURER QUE L'ALIMENTATION EST COUPÉE AU PANNEAU DE SERVICE AVANT DE FAIRE L'ENTRETIEN SUR L'UNITÉ.**

### Défecteurs de graisse

Vous trouverez, incluses avec votre hotte de cuisinière, des chicanes de graisse en acier inoxydable avec une cuvette de graisse qui devrait être lavée au moins une fois par mois. Les chicanes et la cuvette sont lavables au lave-vaisselle et devraient être lavées avec un savon ou un détergent doux. Inversez les instructions à la **SECTION 8** *Fin de l'installation*, pour enlever des chicanes et la cuvette. Si les chicanes de graisse deviennent endommagées, remplacez-les par les chicanes de graisse Air King appropriées décrites dans le schéma des pièces.



**AVERTISSEMENT : LAISSER REFROIDIR LA LAMPE AVANT DE LA REMPLACER.**

### Changement de la lampe

Enlevez la lampe en tournant légèrement dans le sens contraire des aiguilles d'une montre et retirez de la douille. Remplacez par une lampe DEL de base moyenne JA8 PAR20, de 7W au maximum.

### Fusible

Pour remplacer le fusible, tournez le bouchon de fusible situé à côté du capuchon de connexion dans le sens inverse des aiguilles d'une montre et retirez. Référez-vous aux instructions incluses avec le ventilateur spécifique que vous avez choisi pour l'information sur le changement du fusible.

### Nettoyage



**AVERTISSEMENT : NE PAS UTILISER D'ESSENCE, BENZÈNE, DILUANT, DE NETTOYANT FORT, ETC., PUISQU'ILS POURRAIENT ENDOMMAGER LA HOTTE DE CUISINE.**

- Nettoyer votre hotte de cuisine avec un détergent doux, tel que du liquide à vaisselle, et le sécher avec un chiffon doux. **NE JAMAIS UTILISER DE TAMPON ABRASIF OU DE POUDRE À RÉCURER.** Sécher complètement avant de remettre l'alimentation. **NE JAMAIS IMMÉRGER LES PARTIES ÉLECTRIQUES DANS L'EAU.**
- L'assemblage de la soufflante peut être passé à l'aspirateur au cas où un amas (saleté, peluche, etc.) se serait accumulé avec le temps. La soufflante est lubrifiée en permanence et ne nécessite pas d'huilage.

## Guide de dépannage

Trouble	Cause possible	Solution suggérée
1. La hotte ne fonctionne pas lorsque l'interrupteur est à EN (ON).	1a. Un fusible peut être grillé ou un disjoncteur peut être déclenché. 1b. Le câblage n'est pas raccordé correctement.	1a. Remplacer le fusible ou réinitialiser le disjoncteur. 1b. Couper l'alimentation de l'unité. Vérifier que tous les fils sont raccordés.
2. La hotte fonctionne, mais l'air circule plus lentement que la normale.	2. Obstruction dans les conduits d'évacuation.	2. Vérifier pour quelque obstruction dans les conduits incluant le filtre.
3. La hotte produit un son de crécelle.	3a. Les filtres sont lâches 3b. Le raccord des conduits est lâche. 3c. Le clapet est coincé	3a. Couper l'alimentation à l'unité. Vérifier que tous les filtres sont bien fixés. 3b. Couper l'alimentation de l'unité. Vérifier que tous les raccords des conduits sont bien serrés. 3c. Coupez le courant à l'unité. Vérifiez que le clapet s'ouvre librement.

## GARANTIE LIMITÉE

**CE QUE COUVRE CETTE GARANTIE :** Ce produit est garanti contre tout vice de fabrication ou de matière.

**COMBIEN DE TEMPS CETTE GARANTIE DURE :** Cette garantie se rapporte seulement à l'acheteur original du produit et dure pendant une (1) année de la date de l'achat original ou jusqu'à ce que l'acheteur original du produit vend ou transfère le produit, celui qui se produit en premier.

**QUE FERA AIR KING :** Au cours de la période de garantie, Air King, à son choix, réparera ou remplacera n'importe quelle partie ou pièces qui s'avèrent défectueuses ou remplacera le produit entier par le même modèle ou un modèle comparable.

**CE QUE CETTE GARANTIE NE COUVRE PAS :** Cette garantie ne s'applique pas si le produit était endommagé ou arrête de fonctionner en raison d'un accident, d'une mauvaise manipulation ou opération, de dommages d'expédition, d'abus, de mauvaise utilisation, de réparation faite ou tentées non autorisées. Cette garantie ne couvre pas les coûts d'expédition pour le retour des produits à Air King pour la réparation ou le remplacement. Air King payera les frais d'expédition de retour de Air King après les réparations ou le remplacement de garantie.

**TOUTES LES GARANTIES, EXPRESSES OU TACITES (COMPRENANT, SANS LIMITATION, TOUTE GARANTIE TACITE DE VALEUR MARCHANDE), DURENT UN AN DE LA DATE DE L'ACHAT ORIGINAL OU JUSQU'À CE QUE L'ACHETEUR ORIGINAL DU PRODUIT VEND OU TRANSFÈRE LE PRODUIT, CELUI QUI SE PRODUIT EN PREMIER ET DANS AUCUN CAS AIR KING N'ASSUME AUCUNE RESPONSABILITÉ EXPRESSE OU TACITE POUR (I) DES DOMMAGES ACCIDENTELS OU INDIRECTS DE N'IMPORTE QUELLE CAUSE, OU (II) LE REMPLACEMENT OU LA RÉPARATION DE TOUS FUSIBLES, DISJONCTEURS OU RÉCEPTACLES DE MAISON. MALGRÉ N'IMPORTE QUOI À L'EFFET CONTRAIRE, DANS AUCUN CAS LA RESPONSABILITÉ D'AIR KING, SOUS UNE GARANTIE EXPRESSE OU TACITE, NE DÉPASSERA LE PRIX D'ACHAT DU PRODUIT ET UNE TELLE RESPONSABILITÉ SE TERMINERA AVEC L'EXPIRATION DE LA PÉRIODE DE GARANTIE.**

Certains états et provinces ne permettent pas les limitations de la période de garantie, ou l'exclusion ou la restriction des dommages accidentels ou indirects, et, par conséquent, les présentes restrictions ne peuvent pas s'appliquer. La présente garantie vous donne des droits légaux spécifiques et peut-être certains autres droits qui peuvent varier selon la province. La preuve d'achat est exigée avant qu'une réclamation de garantie ne soit acceptée.

## SERVICE À LA CLIENTÈLE :

Sans frais (800) 465-7300

Notre équipe de service à la clientèle est disponible pour vous aider avec des questions sur le produit, les adresses des centres de service, et les pièces de rechange. Vous pouvez la rejoindre, du lundi au vendredi, de 8h:00 à 16h:00 HNE. Veuillez avoir le numéro du modèle disponible, ainsi que le genre et le style (qui se trouvent sur l'étiquette à l'intérieur de votre produit). Veuillez ne pas renvoyer le produit à l'endroit de l'achat.

[www.airkinglimited.com](http://www.airkinglimited.com)

**IL SE PEUT QUE LES PIÈCES POUR LES PRODUITS DISCONTINUÉS, OBSOLÈTES ET AUTRES PRODUITS NE SOIENT PAS DISPONIBLES. POUR DES RAISONS DE SÛRETÉ, BEAUCOUP DE COMPOSANTS ÉLECTRONIQUES ET LA PLUPART DES COMPOSANTS DES CHAUFFAGES NE SONT PAS À LA DISPOSITION DES CONSOMMATEURS POUR L'INSTALLATION OU LE REMPLACEMENT.**

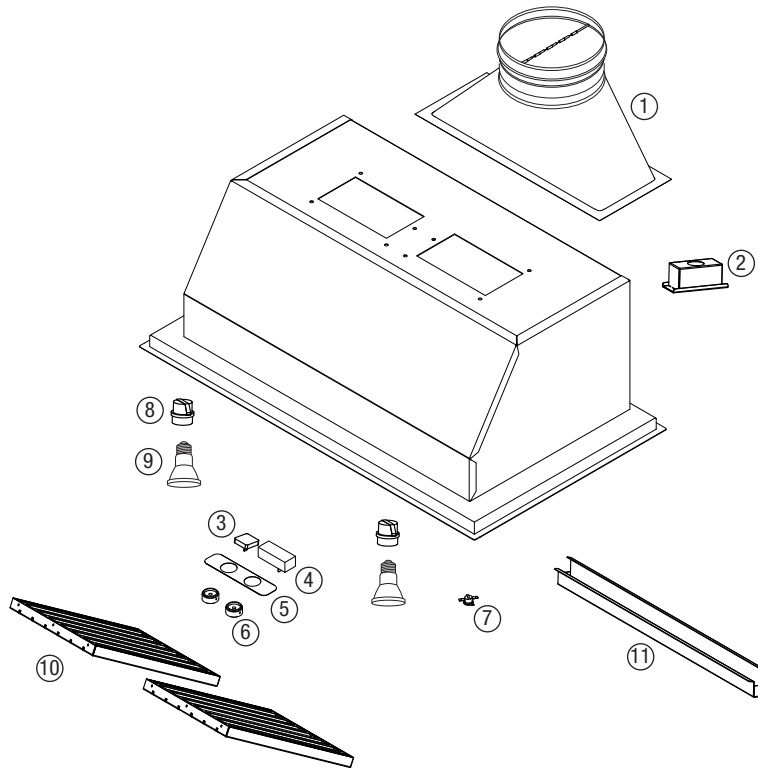
Installateur : \_\_\_\_\_

Date d'installation : \_\_\_\_\_

Endroit de l'achat : \_\_\_\_\_

Numéro de modèle : \_\_\_\_\_

# TABLEAU DES PIÈCES DE RECHANGE



## TOUS LES MODÈLES LIN

#	Qté.	Description	# de pièce de remplacement
1	1	Adaptateur de sortie vertical (300, 500, 600 PCM)	5S1136141
	1	Adaptateur de sortie vertical (900 PCM)	5S1136142
	1	Adaptateur de sortie vertical (1200 PCM)	5S1136143
2	1	Boîte de filage	5S1136064
3	1	Interrupteur du moteur	5S9141014
4	1	Interrupteur du lampe	5S1141013
5	1	Plaque d'interrupteur	5S1142010
6	2	Bouton	5S9141015
7	1	Thermostat	5S9141016

## MODÈLES LIN24

#	Qté.	Description	# de pièce de remplacement
8	2	Douille	5S1136075
9	2	Lampe de 7 watts DEL	5S1136099
10	3	Filtre défecteur - PHGB1	5S1136077
11	1	Dalot à graisse	5S1141320
	2	Filtre d'entretoise	5S1141221

## MODÈLES LIN28

#	Qté.	Description	# de pièce de remplacement
8	2	Douille	5S1136075
9	2	Lampe de 7 watts DEL	5S1136099
10	2	Filtre défecteur - PHGB2	5S1136078
11	1	Dalot à graisse	5S1141370

## MODÈLES LIN34

#	Qté.	Description	# de pièce de remplacement
8	2	Douille	5S1136075
9	2	Lampe de 7 watts DEL	5S1136099
10	2	Filtre défecteur - PHGB3	5S1136079
11	1	Dalot à graisse	5S1136135

## MODÈLES LIN40

#	Qté.	Description	# de pièce de remplacement
8	2	Douille	5S1136075
9	2	Lampe de 7 watts DEL	5S1136099
10	2	Filtre défecteur - PHGB3	5S1136079
11	1	Dalot à graisse	5S1136135

## MODÈLES LIN46

#	Qté.	Description	# de pièce de remplacement
8	2	Douille	5S1136075
9	2	Lampe de 7 watts DEL	5S1136099
10	3	Filtre défecteur - PHGB3	5S1136079
11	1	Dalot à graisse	5S1136139

## MODÈLES LIN58

#	Qté.	Description	# de pièce de remplacement
8	3	Douille	5S1136075
9	3	Lampe de 7 watts DEL	5S1136099
10	3	Filtre défecteur - PHGB3	5S1136079
11	1	Dalot à graisse	5S1136139

# REMARQUES