

IMPORTANT INSTRUCTIONS - OPERATING MANUAL

ESDQ ADA Series

Air King
Ventilation Products®

Range Hood



READ AND SAVE THESE INSTRUCTIONS

READ CAREFULLY BEFORE ATTEMPTING TO ASSEMBLE, INSTALL, OPERATE OR MAINTAIN THE PRODUCT DESCRIBED. PROTECT YOURSELF AND OTHERS BY OBSERVING ALL SAFETY INFORMATION. FAILURE TO COMPLY WITH INSTRUCTIONS COULD RESULT IN PERSONAL INJURY AND/OR PROPERTY DAMAGE!



RETAIN INSTRUCTIONS FOR FUTURE REFERENCE.

GENERAL SAFETY INFORMATION

When using electrical appliances, basic precautions should always be followed to reduce the risk of fire, electric shock and injury to person, including the following:



WARNING: TO REDUCE THE RISK OF FIRE, ELECTRIC SHOCK AND INJURY TO PERSON, OBSERVE THE FOLLOWING:

- Use this unit only in the manner intended by the manufacturer. If you have questions, contact the manufacturer.
- Before servicing or cleaning the unit, switch power off at service panel and lock the service disconnecting means to prevent power from being switched on accidentally. When the service disconnecting means cannot be locked, securely fasten a prominent warning device, such as a tag, to the service panel.



WARNING: TO REDUCE THE RISK OF FIRE, ELECTRIC SHOCK AND INJURY TO PERSON, OBSERVE THE FOLLOWING:

- Installation work and electrical wiring must be done by qualified person(s) in accordance with all applicable codes and standards, including fire-related construction.
- Sufficient air is needed for proper combustion and exhausting of gases through the flue (chimney) of fuel burning equipment to prevent back drafting. Follow the heating equipment manufacturer's guideline and safety standards such as those published by the National Fire Protection Association (NFPA) and the American Society for Heating, Refrigeration, and Air Conditioning Engineers (ASHRAE), and the local code authorities.
- When cutting or drilling into wall or ceiling, do not damage electrical wiring and other hidden utilities.



CAUTION: FOR GENERAL VENTILATING USE ONLY. DO NOT USE TO EXHAUST HAZARDOUS OR EXPLOSIVE MATERIALS AND VAPORS.



CAUTION: TO REDUCE THE RISK OF FIRE AND TO PROPERLY EXHAUST AIR, BE SURE TO DUCT AIR OUTSIDE - DO NOT VENT EXHAUST AIR INTO SPACES WITHIN WALLS OR CEILINGS OR INTO ATTICS, CRAWL SPACES, OR GARAGES.

- Ducted fans must always be vented to the outdoors.
- This unit must be grounded.
- To avoid motor bearing damage and noisy and/or unbalanced impellers, keep drywall spray, construction dust, etc. off power unit.
- Read all instructions before installing or using range hood.



WARNING: TO REDUCE THE RISK OF FIRE, ELECTRIC SHOCK, DO NOT USE THIS FAN WITH ANY SOLID-STATE SPEED CONTROL DEVICE.



WARNING: TO REDUCE THE RISK OF A RANGE TOP GREASE FIRE:

- Never leave surface units unattended at high settings. Boil overs cause smoking and greasy spillovers that may ignite. Heat oils slowly on low or medium settings.
- Always turn hood ON when cooking at high heat or when flambéing food (ie. Crepes Suzette, Cherries Jubilee, Peppercorn Beef Flambé).
- Clean ventilating fans frequently. Grease should not be allowed to accumulate on fan filter.
- Use proper pan size. Always use cookware appropriate for the size of the surface element.



WARNING: TO REDUCE THE RISK OF INJURY TO PERSONS IN THE EVENT OF A RANGE TOP GREASE FIRE, OBSERVE THE FOLLOWING:

- SMOTHER FLAMES with a close-fitting lid, cookie sheet, or metal tray, then turn off burner. BE CAREFUL TO PREVENT BURNS. If the flames do not go out immediately, EVACUATE AND CALL THE FIRE DEPARTMENT.
- NEVER PICK UP A FLAMING PAN - You may be burned.
- DO NOT USE WATER, including wet dishcloths or towels - a violent steam explosion will result.
- Use an extinguisher ONLY if:
 - You know you have a Class ABC extinguisher, and you already know how to operate it.
 - The fire is small and contained in the area where it started.
 - The fire department is being called.
 - You can fight the fire with your back to an exit.



WARNING: TO REDUCE THE RISK OF FIRE, USE ONLY METAL DUCTWORK.



WARNING: THE DUCTING FROM THIS FAN TO THE OUTSIDE OF THE BUILDING HAS A STRONG EFFECT ON THE AIR FLOW, NOISE AND ENERGY USE OF THE FAN. USE THE SHORTEST, STRAIGHTEST DUCT ROUTING POSSIBLE FOR BEST PERFORMANCE, AND AVOID INSTALLING THE FAN WITH SMALLER DUCTS THAN RECOMMENDED. INSULATION AROUND THE DUCTS CAN REDUCE ENERGY LOSS AND INHIBIT MOLD GROWTH. FANS INSTALLED WITH EXISTING DUCTS MAY NOT ACHIEVE THEIR RATED AIRFLOW.

SAVE THESE INSTRUCTIONS

INSTALLATION INSTRUCTIONS



CAUTION: MAKE SURE POWER IS SWITCHED OFF AT SERVICE PANEL BEFORE STARTING INSTALLATION.

SECTION 1

Preparing the Range Hood

1. Unpack hood from the carton and confirm that all pieces are present. In addition to the range hood you should have:
 - 2 - Aluminum Grease Filters
 - 1 - 3-1/4" x 10" Damper
 - 3 - Damper Mounting Screws
 - 4 - #8 Mounting Screws
 - 1 - GU24 Base, 8W LED Lamp
 - 1 - Dual rocker remote mount switch assembly
 - 1 - Instruction/Safety Sheet

NOTE: Some hoods may be shipped with a protective plastic adhered to the range hood. It is recommended to leave this in place during installation to protect the hood from scratching. Remove when the installation is complete.

2. Lay the hood flat on a table so the underside is facing you. Use a piece of cardboard to avoid damaging the table or the hood.
3. Remove the following items from the hood and place in a safe place until needed (**Figure 1**):
 - Grease filters:** Pull on tabs to remove.
 - Bottom cover:** Remove the 4 screws holding it in place.
 - Lamp cover:** Squeeze in the sides. The cover is held in place by tension against the tabs on the hood.
 - Wire compartment cover:** Remove the screw holding it in place.
 - Blower:** Using a 3/8" nut driver or ratchet, remove the 4 nuts holding the blower in place.

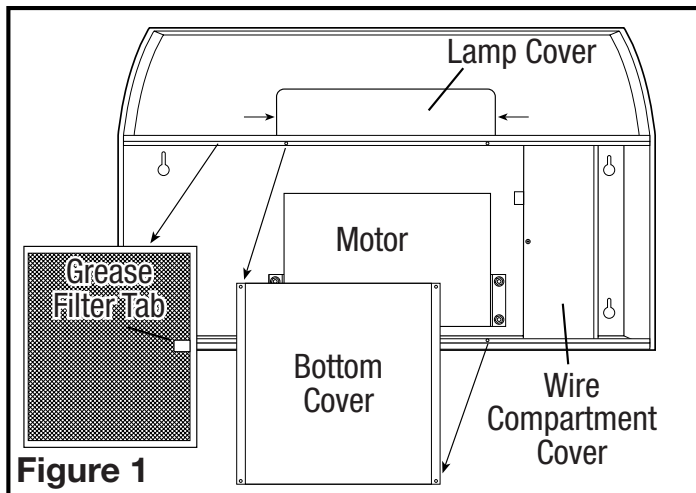


Figure 1

SECTION 2

Prepare the location for Hood Support

1. If the hood will be installed under cabinets that have a recessed bottom, it will be necessary to install wood mounting strips (not included) so the hood will mount properly (**Figure 2**).

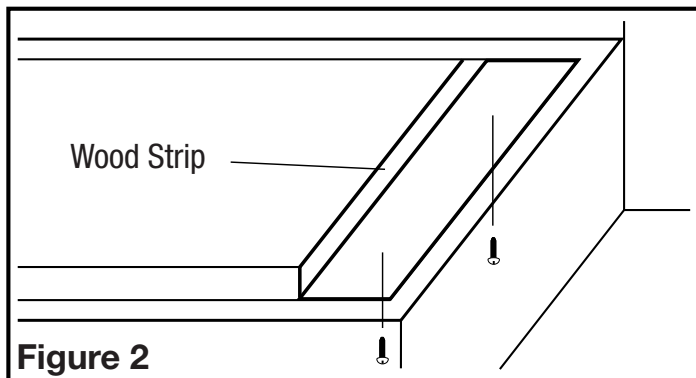


Figure 2

2. The thickness of the strips should be the same as the recess of the cabinet and they should be approximately 2" wide.
3. Install the strips using appropriate length wood screws (not included). Make sure the strips line up to the keyhole slots of the range hood.

SECTION 3

Prepare the Hood for Installation

1. Choose the type of ducting you will require. To ensure the best air and sound performance, it is recommended that the length of ducting and the number of elbows be kept to a minimum, the radius of each elbow be as large as possible for the installation, and that hard ducting be used. Larger duct sizes will reduce noise and airflow restrictions. This model is equipped to vent either Vertically or Horizontally through a 3-1/4" x 10" duct. It can be modified to be ductless (re-circulates the air back into the kitchen) with the addition of 2 models CF-01 Charcoal Filters (not included) (**Figure 3**).

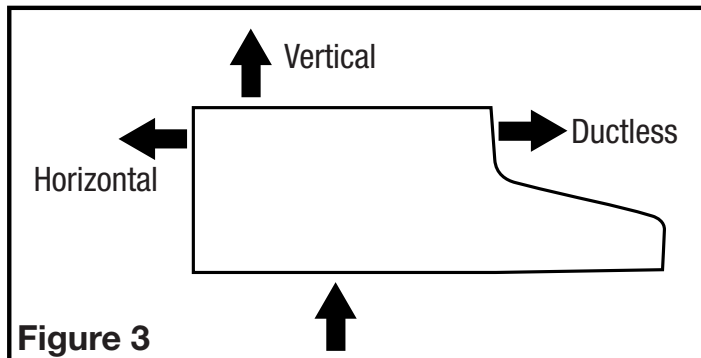


Figure 3

- 2a. **Horizontal or Vertical** - Remove the appropriate square knockout by inserting a screw driver under the edge and break the tabs holding it in place. Peel back with pliers (**Figure 4**).

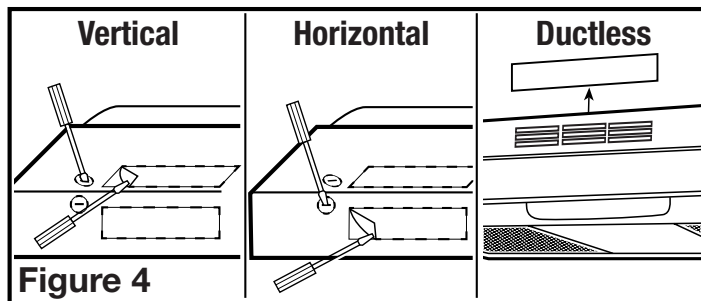


Figure 4

- 2b. **Ductless** - Lift up and remove the hood's vent insert located behind the grill, exposing the front air slots. Do not use a screwdriver or any other object that could scratch the hood (**Figure 4**).
3. Determine where the electrical service will enter the hood and remove the appropriate electrical knockout by inserting a screw driver into the slot and rocking back and forth until the knockout comes loose (**Figure 4**).
4. Once the knockouts have been removed, either hold the hood up to the installation location and mark the locations of the ducting, electrical, and mounting holes or mark the locations by measurement.
5. Cut appropriate holes for ducting connection and electrical connection in the wall/cabinet.
6. For 3-1/4" x 10" vertical or horizontal ducting, install the damper assembly to the hood by sliding the tabbed section of the damper under the hood body and securing with the two provided screws. Using approved duct tape, tape around the collar to seal off any air leaks (**Figure 5**).

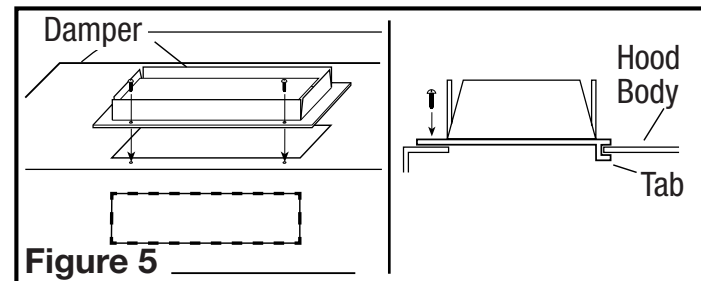


Figure 5

7. Install an approved wire connectors to the electrical knockouts of the hood and guide the electrical cables through the hood, allowing at least 6" of wire for connections and tighten.

SECTION 4

Blower Installation for Ducted Range Hoods

NOTE: When reinstalling the blower, ensure that the blower is facing the same way as how you have chosen to duct it.

1. With the opening of the blower facing the direction you have chosen to duct the hood, place the blower mounting brackets (brackets on either side of the blower) over the blower mounting studs on the interior of the hood (**Figure 6**).

NOTE: Makes sure to support the blower in position by hand until it is firmly secured to the hood.

2. Using the 4 nuts removed earlier, secure the blower in place. Start the nuts by hand first, then tighten with a 3/8" nut driver or ratchet until they are fully seated (**Figure 6**).

NOTE: FOR DUCTLESS INSTALLATIONS ONLY, if you did not already do so in the earlier steps, remove the vent insert from behind the grill on the outside of the hood (**Figure 4**).

3. Plug the blower into the appropriate connector on the side of the wire compartment. It will only fit one way (**Figure 7**).

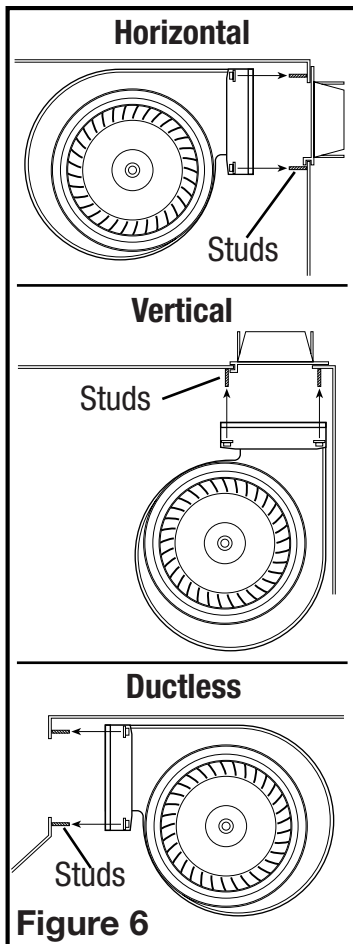


Figure 6

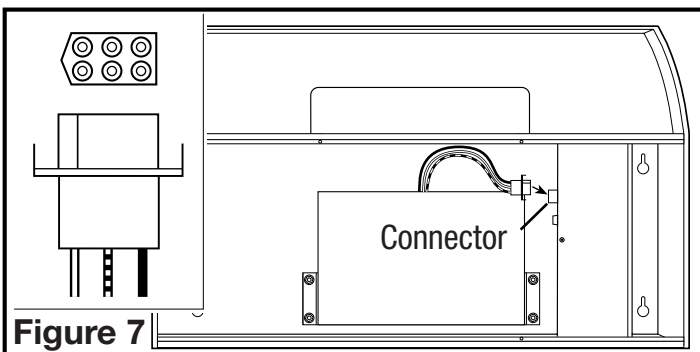


Figure 7

SECTION 5

Installing the Range Hood



CAUTION: MAKE SURE POWER IS SWITCHED OFF AT SERVICE PANEL BEFORE STARTING INSTALLATION.

NOTE: If installing into existing construction and you will not have access to the ductwork once the hood is in place, make ducting connections at this point. Refer to the Ducting Section for instructions.

1. Install the 4 mounting screws at the previously marked locations. Leave approximately 1/8" clearance. Slide the hood in place through the keyhole slots and align the front of the hood so that it is flush with the front of the cabinets. Tighten all screws securely (**Figure 8**).

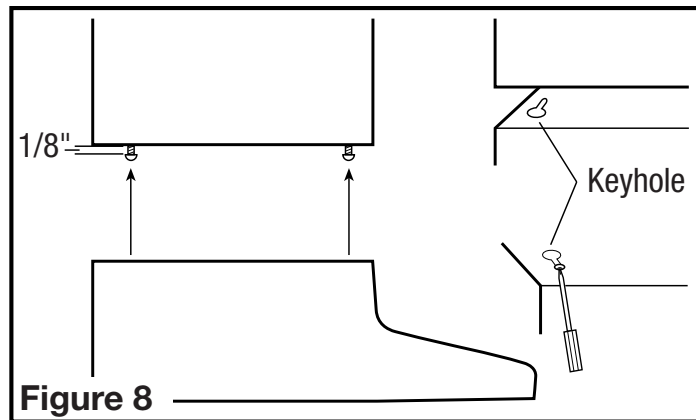


Figure 8



CAUTION: DO NOT INSTALL CLOSER THAN 20 INCHES ABOVE COOKING SURFACE.

SECTION 6

Wiring



CAUTION: ALL ELECTRICAL CONNECTIONS MUST BE MADE IN ACCORDANCE WITH LOCAL CODES, ORDINANCES, OR NATIONAL ELECTRICAL CODE. IF YOU ARE UNFAMILIAR WITH METHODS OF INSTALLING ELECTRICAL WIRING, SECURE THE SERVICES OF A QUALIFIED ELECTRICIAN.

1. For proper wiring, it is necessary to have the house supply power run to the range hood location.
2. As this is a remote mounted switch, the installer will need to provide & mount a 3-gang electrical box at the desired switch location. The box must meet the ergonomic requirements outlined by the American Disabilities Act.
3. It will be necessary to run additional cabling between the range hood & switch control box (not included). It is recommended that a 3-conductor cable (black, white, red, plus ground) and a 2-conductor cable (black, white, plus ground) be installed between the range hood & switch box prior to installation of the hood. Label the 3-conductor cable "Cable A" and the 2-conductor cable "Cable B" to help simplify the connections.

4. Connections at the range hood (**Figure 9**):

Connect the house supply ground wire (green or bare) to the stranded green grounding wire of the hood and to the ground wires of Cables A and B.

Connect the house supply neutral wire (white) to the 2 stranded white wires in the range hood wire box.

Connect one of the black stranded wires of the range hood fuse holder to the house supply hot (black) wire.

Connect the other black wire from the range hood fuse holder to the black wire of Cable A.

Connect the white wire of Cable A to the stranded black wire of the range hood (this black wire leads to a rectangular six pin connector mounted in the side of the wire box).

Connect the red wire of Cable A to the stranded red wire of the range hood (this red wire leads to a rectangular six pin connector mounted in the side of the wire box).

Connect the black wire of Cable B to the stranded red wire of the range hood (this red wire leads to a flat 4-pin connector in the wire box).

Connect the white wire of Cable B to the stranded blue wire of the range hood (this blue wire leads to a flat 4-pin connector in the wire box).

Use approved methods for all connections.

5. Connections at the switch box (**Figure 9**):

Connect the black wire of Cable A to the center black wire of BOTH rocker switches.

Connect the white wire of Cable A to the white wire of the fan switch.

Connect the red wire of Cable A to the red wire of the fan switch.

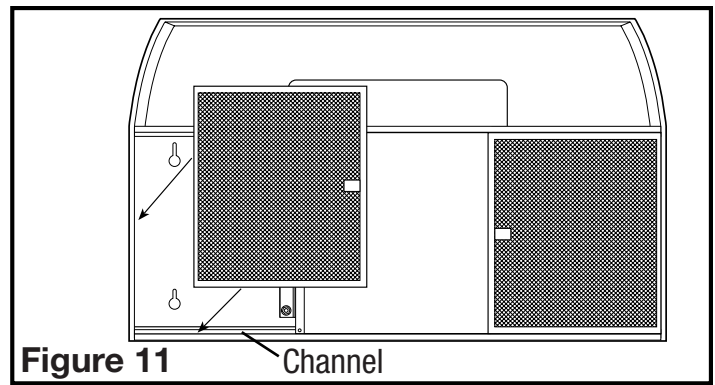
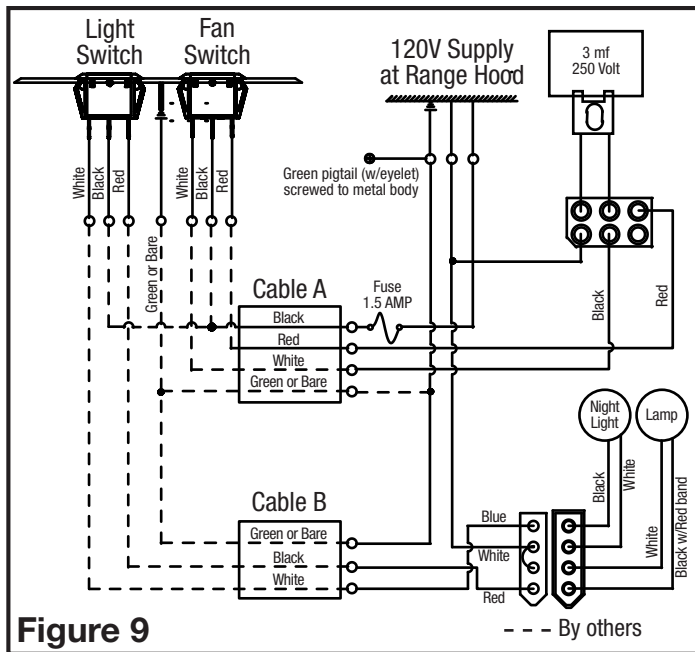
Connect the black wire of Cable B to the red wire of the light switch.

Connect the white wire of Cable B to the white wire of the light switch.

Connect the green wires from both Cable A and Cable B to the green wire attached to wall plate.

Use approved methods for all connections.

6. After all connections have been made, install the wire compartment cover and tighten screw. Make sure all wiring is securely contained within the wire compartment.



3. Install the included 8 watt LED lamp into the lamp holder by lining up the pins on the lamp base to the socket of the lamp holder and gently turning clockwise until the lamp snaps into place and is firmly seated in the lamp holder. Install a 4 watt maximum type C7 (candelabra base) night light (not included) into the side lamp holder and reinstall the lamp cover by squeezing the cover's sides and fitting them into the slots on the hood.
4. Set both rocker switches to "OFF" position & restore power. Test that the light and the fan are operating properly.
5. If there is any vibration noise, check for the source and try to tighten fasteners or adjust the tape to make a tighter connection or seal.

SECTION 7

Ducting



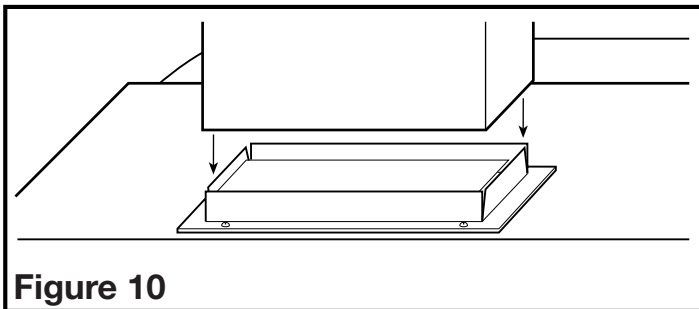
CAUTION: ALL DUCTING MUST COMPLY WITH LOCAL AND NATIONAL BUILDING CODES.

NOTE: The ducting from this fan to the outside of the building has a strong effect on the air flow, noise and energy use of the fan. Use the shortest, straightest duct routing possible for best performance, and avoid installing the fan with smaller ducts than recommended. Insulation around the ducts can reduce energy loss and inhibit mold growth. Fans installed with existing ducts may not achieve their rated air flow.



WARNING: TO REDUCE THE RISK OF FIRE, USE ONLY METAL DUCTWORK.

1. Connect the ducting to the hood's duct collar and damper. Ensure duct joints and exterior penetrations are sealed with caulk or other similar material to create an air-tight path to minimize building heat loss or gain and to reduce the potential for condensation. Place/wrap insulation around duct and/or fan in order to minimize possible condensation buildup within the duct, as well as building heat loss or gain (Figure 10).



CAUTION: ALWAYS DUCT THE FAN TO THE OUTSIDE THROUGH A WALL OR ROOF CAP.

SECTION 8

Finishing the Installation

1. Reinstall the bottom cover removed in Section 1 using the 4 screws to secure it in place.
2. Reinstall the filters by fitting them into the channel on either side of the hood and pushing upwards on them until they are secured in place (Figure 11).

SECTION 9

Controls

Your Range Hood is controlled by two remote rocker switches with one controlling the lighting and the other controlling the exhaust fan. Each rocker switch has three positions, left, center, and right. For the fan switch, the left position (I) is low speed, while the right position (II) is high speed. The left position of the light switch (O) illuminates the Night Light only, while the right position (●) illuminates the Main Light only. The center of both switches is the "OFF" position."

SECTION 10

Maintenance



CAUTION: MAKE SURE POWER IS SWITCHED OFF AT SERVICE PANEL BEFORE SERVICING THE UNIT.

Filters

1. **Grease Filter** - Included with your range hood are aluminum grease filters that should be washed at least once a month. The filters are dishwasher safe and should be washed in a mild soap or detergent. Reverse the instructions in the "Finishing the Installation" section of the instructions to remove filters. If the grease filters become damaged, replace with Air King Model GF-01 Grease Filters.
2. **Charcoal Odor Filter** - If you have installed the optional charcoal odor filters, they cannot be washed and must be discarded and replaced when they become noticeably dirty, have stopped filtering the odors, or at least once per year. Replace with Air King Model CF-01 Odor Filters.

Changing the Lamp

1. Remove the lamp cover by squeezing in the sides. The cover is held in place by tension against the tabs on the hood.

LED Lamp: Remove lamp by gently twisting counterclockwise to release the lamp from the base. Installation is the reverse of removal. Replace with Air King model AK8LED40 or a compatible GU24 8 watt LED lamp

Night Light: Unscrew night light bulb from socket and replace with a 4 watt maximum type C7 (candelabra base) night light bulb.

Fuse

1. To replace the fuse, turn the fuse cap located next to the wire connector counter clockwise and pull out. Replace with only a 125-Volt fuse, 1-1/2 Amp Max. Reinstall the fuse back into the hood (Figure 7).

Cleaning



CAUTION: DO NOT USE GASOLINE, BENZINE, THINNER, HARSH CLEANSERS, ETC., AS THEY MAY DAMAGE THE RANGE HOOD.

1. Clean your range hood with a mild detergent, such as dishwashing liquid, and dry with a soft cloth. **NEVER USE ANY ABRASIVE PADS OR SCOURING POWDERS.** Completely dry before restoring power. **NEVER IMMERS E ELECTRICAL PARTS IN WATER.**
2. The fan assembly can be vacuumed when build up (dirt, lint, etc.) accumulates over time. The fan is permanently lubricated and does not require oiling.

Troubleshooting Guide

Trouble	Probable Cause	Suggested Remedy
1. Hood does not operate when the switch is on.	1a. A fuse may be blown or a circuit tripped. 1b. Wiring is not connected properly.	1a. Replace fuse or reset circuit breaker. 1b. Turn off power to unit. Check that all wires are connected.
2. Hood is operating, but air moves slower than normal.	2. Obstruction in the exhaust ducting.	2. Check for any obstructions in the ducting including filter.
3. Hood is making a rattling noise.	3a. Filters are loose. 3b. Duct connection is loose.	3a. Turn off power to unit. Check that all filter are securely in place. 3b. Turn off power to unit. Check that duct connection is tight.

LIMITED WARRANTY

WHAT THIS WARRANTY COVERS: This product is warranted against defects in workmanship and/or materials.

HOW LONG THIS WARRANTY LASTS: This warranty extends only to the original purchaser of the product and lasts for one (1) year from the date of original purchase or until the original purchaser of the product sells or transfers the product, whichever first occurs.

WHAT AIR KING WILL DO: During the warranty period, Air King will, at its sole option, repair or replace any part or parts that prove to be defective or replace the whole product with the same or comparable model.

WHAT THIS WARRANTY DOES NOT COVER: This warranty does not apply if the product was damaged or failed because of accident, improper handling or operation, shipping damage, abuse, misuse, unauthorized repairs made or attempted. This warranty does not cover shipping costs for the return of products to Air King for repair or replacement. Air King will pay return shipping charges from Air King following warranty repairs or replacement

ANY AND ALL WARRANTIES, EXPRESSED OR IMPLIED (INCLUDING, WITHOUT LIMITATION, ANY IMPLIED WARRANTY OF MERCHANTABILITY), LAST ONE YEAR FROM THE DATE OF ORIGINAL PURCHASE OR UNTIL THE ORIGINAL PURCHASER OF THE PRODUCT SELLS OR TRANSFERS THE PRODUCT, WHICHEVER FIRST OCCURS AND IN NO EVENT SHALL AIR KING'S LIABILITY UNDER ANY EXPRESS OR IMPLIED WARRANTY INCLUDE (I) INCIDENTAL OR CONSEQUENTIAL DAMAGES FROM ANY CAUSE WHATSOEVER, OR (II) REPLACEMENT OR REPAIR OF ANY HOUSE FUSES, CIRCUIT BREAKERS OR RECEPTACLES. NOTWITHSTANDING ANYTHING TO THE CONTRARY, IN NO EVENT SHALL AIR KING'S LIABILITY UNDER ANY EXPRESS OR IMPLIED WARRANTY EXCEED THE PURCHASE PRICE OF THE PRODUCT AND ANY SUCH LIABILITY SHALL TERMINATE UPON THE EXPIRATION OF THE WARRANTY PERIOD.

Some states and provinces do not allow limitations on how long an implied warranty lasts, or the exclusion or limitation of incidental or consequential damages, so these exclusions or limitations may not apply to you. This warranty gives you specific legal rights. You may also have other rights which vary from state to state and province to province. Proof of purchase is required before a warranty claim will be accepted.

CUSTOMER SERVICE:

Toll-Free (800) 465-7300

Our Customer Service team is available to assist you with product questions, service center locations, and replacement parts. They can be reached Monday through Friday, 8am-4pm Eastern. Please have your model number available, as well as the type and style (located on the label inside of your product).

Please do not return product to place of purchase.

www.airkinglimited.com

PARTS FOR DISCONTINUED, OBSOLETE AND CERTAIN OTHER PRODUCTS MAY NOT BE AVAILABLE. DUE TO SAFETY REASONS, MANY ELECTRONIC COMPONENTS AND MOST HEATER COMPONENTS ARE NOT AVAILABLE TO CONSUMERS FOR INSTALLATION OR REPLACEMENT.

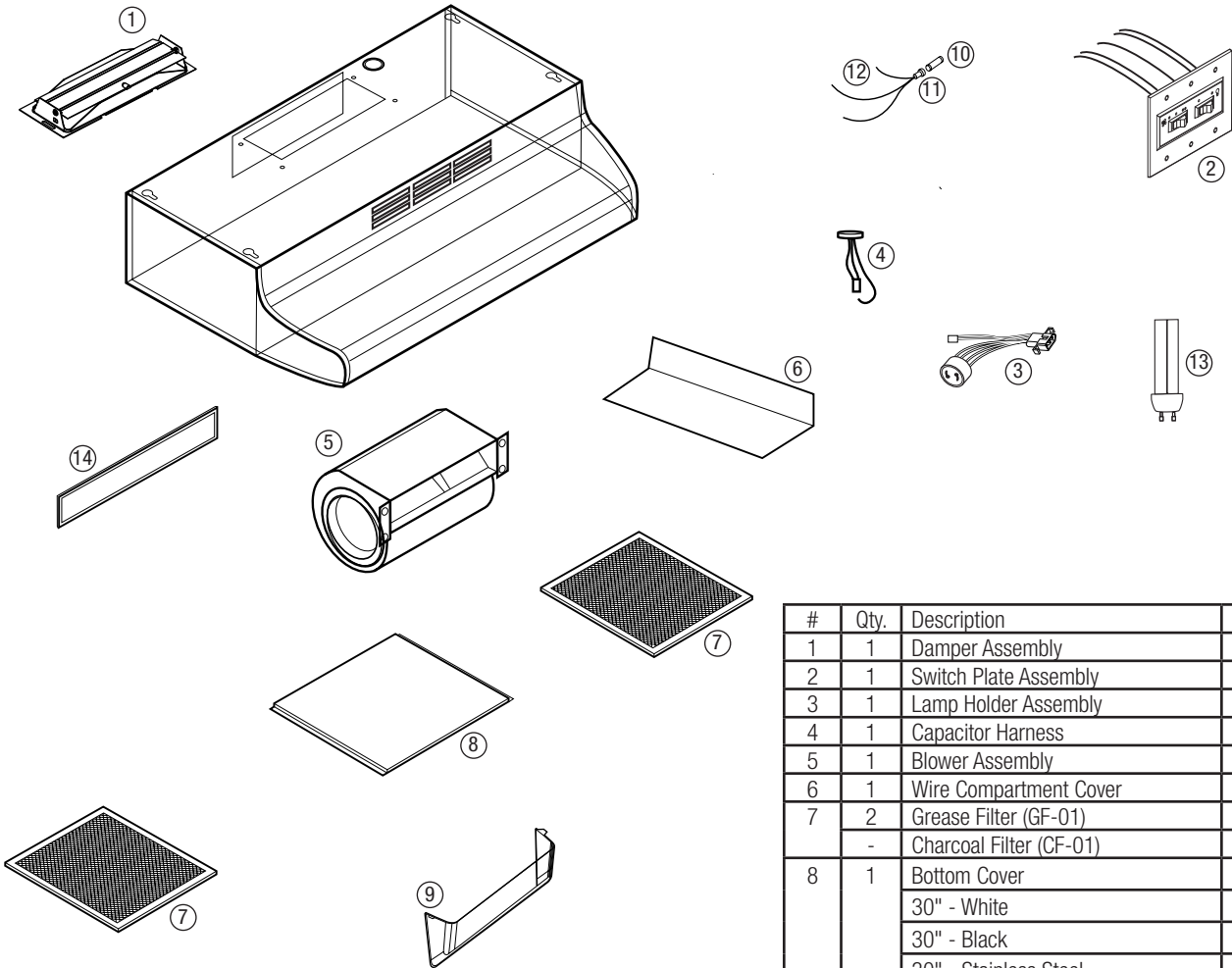
Installer: _____

Installation Date: _____

Place of Purchase: _____

Model Number: _____

REPLACEMENT PARTS DIAGRAM



#	Qty.	Description	Replacement Part #
1	1	Damper Assembly	5S1199080
2	1	Switch Plate Assembly	5S1143131
3	1	Lamp Holder Assembly	5S1199703
4	1	Capacitor Harness	5S1111019
5	1	Blower Assembly	5S1144001
6	1	Wire Compartment Cover	5S1111048
7	2	Grease Filter (GF-01)	5S1111033
	-	Charcoal Filter (CF-01)	5S1111034
8	1	Bottom Cover	
		30" - White	5S1144333
		30" - Black	5S1144336
		30" - Stainless Steel	5S1144338
		36" - White	5S1144343
		36" - Black	5S1144346
		36" - Stainless Steel	5S1144348
9	1	Lamp Cover	5S1111053
10	1	Fuse	5S1111054
11	1	Fuse Holder	5S1199205
12	1	Lead Wire in Fuse Holder	5S1111055
13	1	8W LED Lamp	5S1250001
14	1	Louver Plate - White	5S1429003
	1	Black	5S1429006

INSTRUCCIONES IMPORTANTES – MANUAL DE OPERACIÓN

Séries ESDQ ADA

Air King
Ventilation Products®

Hotte de cuisinière



LIRE ET CONSERVER CES INSTRUCTIONS

LIRE SOIGNEUSEMENT AVANT DE TENTER D'ASSEMBLER, INSTALLER, OPÉRER OU DE RÉPARER LE PRODUIT DÉCRIT. PROTÉGEZ VOUS-MÊME ET LES AUTRES EN OBSERVANT TOUTE L'INFORMATION DE SÉCURITÉ. FAILLIR À SE CONFORMER AUX INSTRUCTIONS PEUT RÉSULTER EN BLESSURE PERSONNELLE GRAVE ET/OU EN DOMMAGE À LA PROPRIÉTÉ.

CONSERVER CES INSTRUCTIONS POUR RÉFÉRENCES FUTURES.



INSTRUCTIONS GÉNÉRALES DE SÉCURITÉ

Lors de l'utilisation d'appareils électriques, des précautions de base doivent toujours être suivies pour réduire les risques d'incendie, de choc électrique et de blessures corporelles, incluant ce qui suit:



AVERTISSEMENT : POUR RÉDUIRE LES RISQUES D'INCENDIE, DE CHOC ÉLECTRIQUE OU DE BLESSURES PERSONNELLES OBSERVER CE QUI SUIT:

- Utiliser cette unité seulement de la manière pour laquelle le fabricant l'a conçu. Si vous avez des questions, veuillez contacter le fabricant.
- Avant d'effectuer un service ou de nettoyer l'unité, couper l'alimentation électrique dans le panneau de distribution et verrouiller le dispositif de déconnexion afin d'éviter que l'alimentation ne revienne accidentellement. Lorsque le dispositif ne peut être verrouillé, fixer solidement un avis d'avertissement, tel qu'une étiquette, au panneau de distribution.



AVERTISSEMENT : POUR RÉDUIRE LES RISQUES D'INCENDIE, DE CHOC ÉLECTRIQUE OU DE BLESSURES PERSONNELLES OBSERVER CE QUI SUIT:

- Le travail d'installation et le câblage électrique doivent être effectués par une(des) personne(s) qualifiée(s) en conformité avec tous les codes et normes applicables, incluant la construction relative aux incendies.
- De l'air en quantité suffisante est requis pour la bonne combustion et l'évacuation de gaz par le conduit (cheminée) provenant d'équipement de brûlage au combustible pour prévenir un refoulement. Suivre les directives du fabricant de l'équipement de chauffage et les normes de sécurité telles que celles publiées par la National Fire Protection Association (NFPA) et de la American Society for Heating, Refrigeration, and Air Conditioning Engineers (ASHRAE), et de celles des autorités locales du code.
- Lorsque vous coupez ou percez un mur ou un plafond, prenez garde de ne pas endommager les fils électriques ou tout appareil qui pourrait être dissimulé.



AVERTISSEMENT : POUR RÉDUIRE LES RISQUES D'INCENDIE ET POUR ÉVACUER L'AIR ADÉQUATEMENT, ASSUREZ-VOUS D'ÉVACUER L'AIR VERS L'EXTÉRIEUR – NE PAS ÉVACUER L'AIR DANS DES ESPACES DANS LES MURS, LES PLAFONDS OU LES GRENIERS, LES GALERIES TECHNIQUES OU LES GARAGES.



AVERTISSEMENT : POUR USAGE DE VENTILATION GÉNÉRALE EXCLUSIVEMENT. NE PAS UTILISER POUR ÉVACUER DU MATÉRIEL ET DES VAPEURS DANGEREUSES OU EXPLOSIVES.

- Les ventilateurs avec conduits doivent toujours être évacués vers l'extérieur.
- Cette unité doit être mise à la terre.
- Pour éviter des dommages aux roulements des moteurs et/ou des hélices bruyantes ou déséquilibrées, empêcher la poussière de cloison sèche, poussière de construction, etc., d'atteindre l'unité de puissance.
- Lire toutes les instructions avant d'installer ou d'utiliser la hotte de cuisine.



AVERTISSEMENT : POUR RÉDUIRE LES RISQUES D'INCENDIE OU DE CHOC ÉLECTRIQUE, NE PAS UTILISER CE VENTILATEUR AVEC UN RÉGULATEUR DE VITESSE ÉLECTRONIQUE.



AVERTISSEMENT : POUR RÉDUIRE LES RISQUES D'INCENDIE DE GRAISSE SUR LE DESSUS DE LA CUISINIÈRE:

- Ne jamais laisser les unités de surface à des degrés élevés sans surveillance. Les débordements par bouillonnement produisent de la fumée et des débordements graisseux qui peuvent s'enflammer. Chauffer les huiles lentement à des degrés faibles ou modérés.
- Toujours mettre la hotte EN MARCHÉ lors de cuisson à haute température ou lors de flambage de nourriture (par ex., des Crêpes Suzette, de Cerises Jubiléées, steak flambé, etc.)
- Nettoyer les ventilateurs d'évacuation fréquemment. Aucune accumulation de graisse ne devrait être tolérée sur les filtres du ventilateur.
- Utiliser des poêlons de taille appropriée. Toujours utiliser les batteries de cuisine appropriées pour la taille de l'élément de surface.



AVERTISSEMENT : POUR RÉDUIRE LES RISQUES DE BLESSURES PERSONNELLES DANS L'ÉVENTUALITÉ D'UN FEU DE GRAISSE SUR LA SURFACE DE CUISSON, SUIVRE LES INDICATIONS SUIVANTES:

- ÉTOUFFER LES FLAMMES avec un couvercle bien ajusté, une tôle à biscuits, ou un cabaret de métal, puis, mettre le gril hors fonction. PRENEZ SOIN D'ÉVITER LES BRÛLURES. Si les flammes ne s'éteignent pas immédiatement, ÉVACUER ET APPELER LE SERVICE DES INCENDIES.
- NE JAMAIS SAISIR UN POÊLON EN FLAMME – vous pourriez être brûlé.
- NE PAS UTILISER DE L'EAU, incluant les linges à vaisselle ou les serviettes mouillées – il en résulterait une violente explosion de vapeur.
- Utiliser un extincteur SEULEMENT SI:
 - Vous savez que vous avez un extincteur de classe ABC, et que vous savez déjà comment l'opérer.
 - Le feu est petit et contenu dans la zone où il a commencé.
 - On appelle le service des incendies.
 - Vous pouvez combattre l'incendie avec une sortie derrière vous.



AVERTISSEMENT : POUR RÉDUIRE LES RISQUES D'INCENDIE, UTILISER UNIQUEMENT DES CONDUITS EN MÉTAL.



AVERTISSEMENT : LA CANALISATION DE CE VENTILATEUR À L'EXTÉRIEUR DU BÂTIMENT A UN EFFET IMPORTANT SUR LE FLUX D'AIR, LE BRUIT ET LA CONSOMMATION D'ÉNERGIE DU VENTILATEUR. UTILISEZ LA ROUTE DE CANALISATION LA PLUS COURTE ET LA PLUS DROITE POSSIBLE POUR UNE MEILLEURE PERFORMANCE, ET ÉVITEZ D'INSTALLER LE VENTILATEUR AVEC DES CONDUITS PLUS PETITS QUE RECOMMANDÉ. L'ISOLATION AUTOUR DES CONDUITS PEUT RÉDUIRE LA PERTE D'ÉNERGIE ET EMPÊCHER LE DÉVELOPPEMENT DE MOISSURES. IL SE PEUT QUE LES VENTILATEURS INSTALLÉS AVEC DES CONDUITS EXISTANTS N'ATTEIGNENT PAS LEUR DÉBIT D'AIR NOMINAL.

CONSERVER CES INSTRUCTIONS

INSTRUCTIONS POUR L'INSTALLATION



MISE EN GARDE : ASSUREZ-VOUS QUE L'ALIMENTATION ÉLECTRIQUE EST COUPÉE À PARTIR DU PANNEAU DE DISTRIBUTION AVANT DE COMMENCER L'INSTALLATION.

SECTION 1

Préparation de la hotte de cuisinière

- Sortez la hotte de l'emballage et assurez-vous d'avoir toutes les pièces. En plus de la hotte, vous devriez avoir :
 - 2 - Filtres à graisses en aluminium
 - 1 - Adaptateur de conduit de 8,25 cm x 25,4 cm
 - 3 - Vis de montage de l'adaptateur
 - 4 - Vis de montage no 8
 - 1 - Base GU24, lampe LED de 8W
 - 1 - Installation du commutateur à bascule double de montage à distance
 - 1 - Instructions et mesures de sécurité
- Déposez la hotte à plat sur la table de manière à ce que la partie inférieure soit face à vous. Placez un morceau de carton en dessous afin d'éviter d'endommager la table ou la hotte.
- Retirez les pièces suivantes de la hotte et placez-les à un endroit sûr jusqu'à ce que vous en ayez besoin (**Figure 1**) :

Filtres à graisses : tirez sur les languettes pour les retirer.

Panneau inférieur : retirez les 4 vis qui le maintiennent en place.

Écran protecteur de lampe : appuyez sur les côtés. Le panneau est maintenu en place grâce à la pression exercée sur les languettes de la hotte.

Couvercle du compartiment des fils : retirez la vis qui le maintient en place.

Ventilateur : à l'aide d'un tournevis à douille ou d'une clé à cliquet de 3/8 po, retirez les 4 écrous qui tiennent le ventilateur.

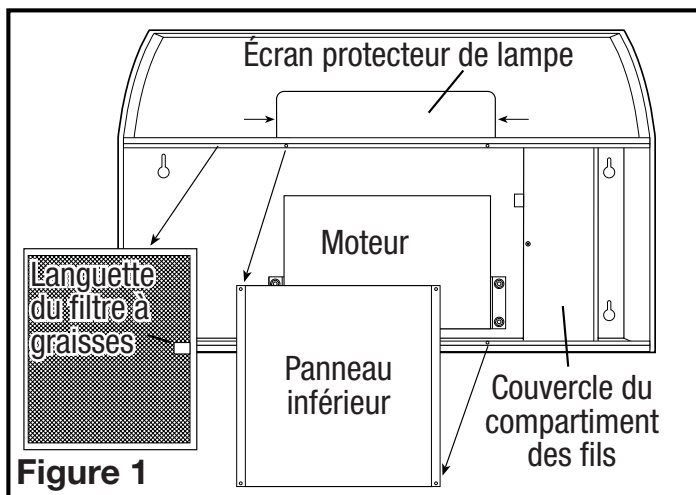


Figure 1

SECTION 2

Préparez l'emplacement du support de la hotte.

- Pour installer la hotte sous des armoires dont la base est en retrait, il faut d'abord installer des bandes de fixation en bois (non comprises) afin que la hotte soit fixée convenablement (**Figure 2**).

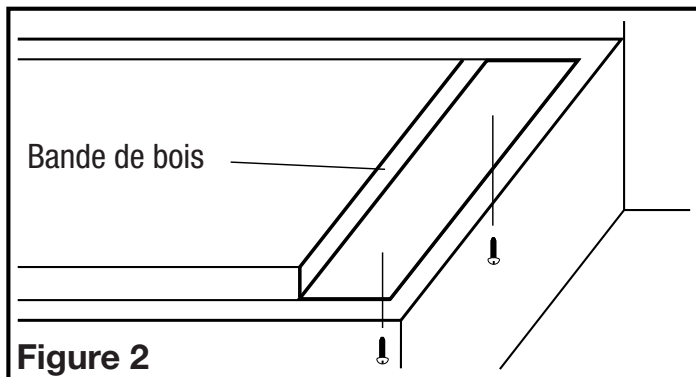


Figure 2

- L'épaisseur des bandes doit correspondre au retrait de l'armoire et doit avoir une largeur d'environ 5 cm.
- Posez les bandes à l'aide de vis à bois (non comprises) de longueur appropriée. Assurez-vous que les bandes sont alignées aux encoches en trou de serrure de la hotte.

SECTION 3

Préparez la hotte pour l'installation

- Déterminez le type de conduits dont vous aurez besoin. Pour garantir la meilleure qualité d'air et performance acoustique, il est recommandé que la longueur de la canalisation et le nombre de coudes soient réduits au minimum, que le rayon de chaque coude soit aussi grand que possible pour l'installation, et que des conduits rigides soient utilisés. Ce modèle peut évacuer l'air verticalement ou horizontalement par un conduit de 8,25 cm sur 25,4 cm. On peut également l'utiliser sans évacuation (il rejette alors l'air dans la cuisine) en ajoutant 2 filtres au charbon de modèle CF-01 (non compris) (**Figure 3**).

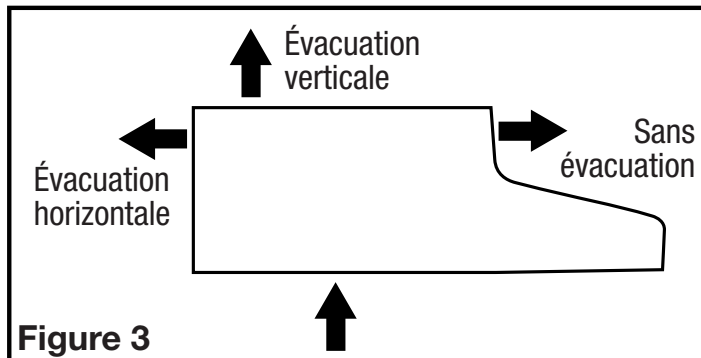


Figure 3

- Évacuation horizontale ou verticale** - Retirez la pièce rectangulaire défonçable. Pour ce faire, insérez un tournevis dans le pourtour et brisez les attaches qui le retiennent. Enlevez ensuite la pièce avec des pinces (**Figure 4**).

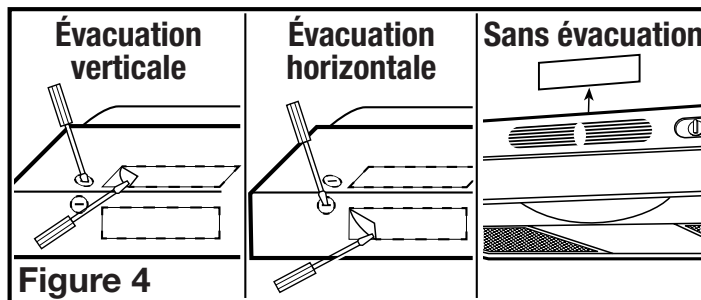


Figure 4

- Sans évacuation** - Soulevez et retirez le panneau de l'évent situé derrière la grille, exposant ainsi l'entrée d'air frontale. N'utilisez pas de tournevis ni tout autre objet qui pourrait égratigner la hotte (**Figure 4**).
- Déterminez où le service électrique entrera dans la hotte et enlevez l'entrée défonçable électrique appropriée en insérant un tournevis dans la fente et le remuant dans les deux sens jusqu'à ce que l'entrée se détache (**Figure 4**).
- Une fois que l'entrée défonçable appropriée a été enlevée, tenez la hotte à l'endroit où elle sera fixée et marquez l'emplacement des trous pour les conduits, les entrées électriques et l'installation. Sinon, vous pouvez prendre les mesures et faire les marques à partir de celles-ci.
- Percez des trous dans le mur ou l'armoire pour le raccord de conduit et l'entrée électrique.
- Pour un conduit vertical ou horizontal de 8,25 x 25,4 cm (3-1/4 po x 10 po), installer l'assemblage de clapet à la hotte en glissant la section à onglets du clapet sous le corps de la hotte et en vissant les deux vis fournies. À l'aide de ruban adhésif approuvé, appliquez autour du col pour sceller les fuites d'air (**Figure 5**).

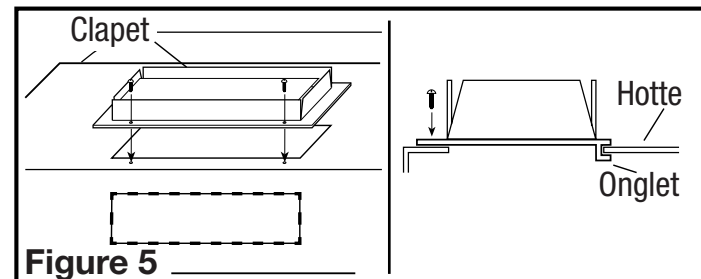


Figure 5

- Passez le câble par l'entrée électrique en prenant soin de garder un jeu de 15,24 cm pour les raccords, puis fixez le capuchon de connexion homologué au câble en le vissant.

SECTION 4

Installation du ventilateur pour hottes avec évacuation

REMARQUE : lorsque vous réinstallez le ventilateur, assurez-vous de le remettre exactement à la même place.

1. Une fois l'ouverture du ventilateur dans la direction choisie, placez les supports de fixation du ventilateur (de chaque côté du ventilateur) au-dessus des goujons du ventilateur à l'intérieur de la hotte (Figure 6).

REMARQUE : Assurez-vous de bien maintenir le ventilateur en place jusqu'à ce qu'il soit solidement fixé à la hotte.

2. Fixez le ventilateur à l'aide des 4 vis que vous avez enlevées plus tôt. Commencez à visser les écrous à la main, puis serrez-les à l'aide d'un tournevis à douille ou d'une clé à cliquet de 3/8 po jusqu'à ce qu'ils soient complètement enfoncés (Figure 6).

REMARQUE : INSTALLATION SANS ÉVACUATION SEULEMENT, Si ce n'est déjà fait, retirez le panneau de l'évent situé derrière la grille (Figure 4).

3. Branchez le ventilateur au connecteur approprié sur le côté du compartiment de fils. Le branchement ne pourra se faire que dans un seul sens (Figure 7).

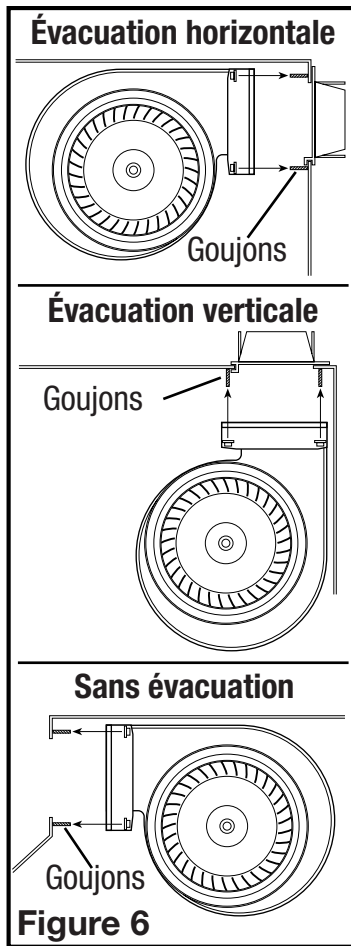


Figure 6

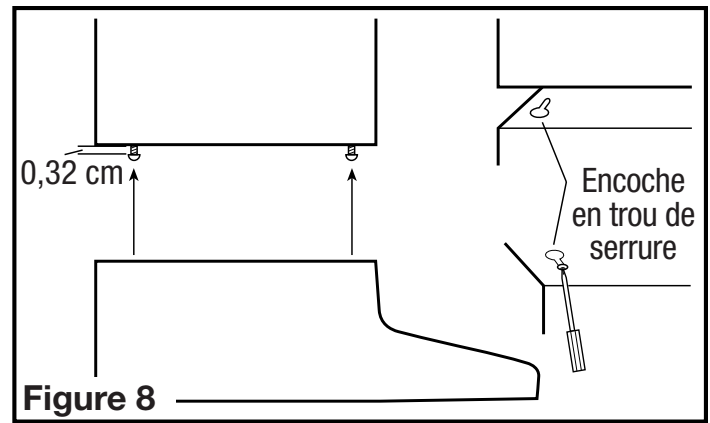


Figure 8



MISE EN GARDE : NE PAS INSTALLER À MOINS DE 20 POUCHES AU-DESSUS LA SURFACE DE CUISSON.

SECTION 6

Câblage



MISE EN GARDE : TOUTES LES CONNEXIONS ÉLECTRIQUES DOIVENT ÊTRE CONFORMES AUX CODES DU BÂTIMENT LOCAUX, AUX RÉGLEMENTS LOCAUX OU AU CODE NATIONAL DE L'ÉLECTRICITÉ. SI LES MÉTHODES POUR INSTALLER DES CÂBLAGES ÉLECTRIQUES NE VOUS SONT PAS FAMILIÈRES, FAITES APPEL AUX SERVICES D'UN ÉLECTRICIEN QUALIFIÉ.

1. Pour le câblage approprié, il est nécessaire de mener la puissance d'alimentation maison jusqu'à l'emplacement de la hotte.
2. Comme il s'agit d'un commutateur monté à distance, l'installateur devra fournir et monter une boîte électrique à 3 interrupteurs. La boîte doit répondre aux exigences ergonomiques décrites par l'acte américain d'incapacités.
3. Il sera nécessaire d'installer le câblage supplémentaire entre la hotte et la boîte de commutation de commande (non incluse). On recommande qu'un câble à 3 conducteurs (noir, blanc, rouge, plus terre) et un câble à 2 conducteurs (noir, blanc, plus terre) soient installés entre la hotte et la boîte de commutation avant l'installation de la hotte. Marquez le câble à 3 conducteurs « Câble A » et le câble à 2 conducteurs « Câble B » pour aider à simplifier les raccordements.
4. **Raccordements à la hotte (Figure 9) :**
Connectez le fil de terre d'alimentation maison (vert ou nu) au fil de terre vert standard de la hotte et aux fils de terre des câbles A et B.
Connectez le câble d'alimentation maison neutre (blanc) aux 2 câbles toronnés blancs dans la boîte de câbles de la hotte de cuisinière.
Connectez un des fils noirs toronnés du porte-fusible de la hotte au fil (noir) chaud d'approvisionnement de maison.
Connectez l'autre fil noir du porte-fusible de la hotte au fil noir du câble A.
Connectez le fil blanc du câble A au fil toronné noir de la hotte (ce fil noir mène à un connecteur rectangulaire à six broches monté sur le côté du boîtier électrique).
Connectez le fil rouge du câble A au fil toronné rouge de la hotte (ce fil rouge mène à un connecteur rectangulaire à six broches monté sur le côté du boîtier électrique).
Connectez le fil noir du câble B au fil toronné rouge de la hotte (ce fil rouge mène à un connecteur plat à 4 broches dans le boîtier électrique).
Connectez le fil blanc du câble B au fil toronné bleu de la hotte (ce fil rouge mène à un connecteur plat à 4 broches dans le boîtier électrique).
Utilisez des méthodes approuvées pour toutes les connexions.
5. **Connexions à la boîte de commutation (Figure 9) :**
Connectez le fil noir du câble A au fil noir central des DEUX commutateurs à bascule.
Connectez le fil blanc du câble A au fil blanc du commutateur du ventilateur.
Connectez le fil rouge du câble A au fil rouge du commutateur du ventilateur.
Connectez le fil noir du câble B au fil rouge du commutateur d'éclairage.
Connectez le fil blanc du câble B au fil blanc du commutateur d'éclairage.
Connectez les fils verts des deux câbles A et B au câble vert attaché à la plaque murale.
Utilisez des méthodes approuvées pour toutes les connexions.
6. Après que toutes les connexions ont été faites, installez la couverture du compartiment des cache-fils et serrez la vis. Assurez-vous que tout le câblage est bien contenu dans le compartiment de câblage.

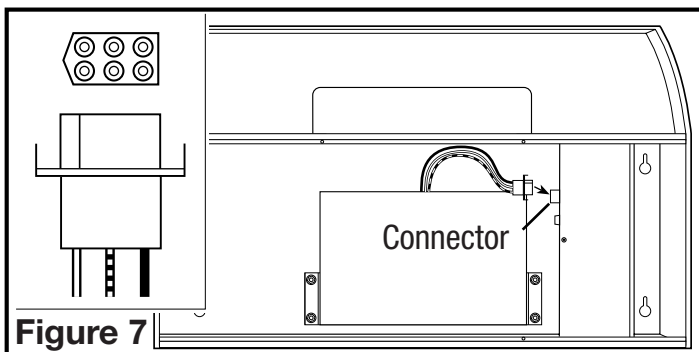


Figure 7

SECTION 5

Installation de la hotte



MISE EN GARDE : ASSUREZ-VOUS QUE L'ALIMENTATION ÉLECTRIQUE EST COUPÉE À PARTIR DU PANNEAU DE DISTRIBUTION AVANT DE COMMENCER L'INSTALLATION.

REMARQUE : si vous installez la hotte dans une construction existante et que vous n'aurez plus accès aux conduits une fois la hotte fixée, posez-les maintenant. Pour ce faire, consultez les instructions de la section traitant des conduits.

1. Vissez les 4 vis de montage aux endroits préalablement marqués. Laissez un jeu d'environ 0,32 cm. Faites glisser les vis dans les encoches en trou de serrure de la hotte, en prenant soin d'aligner la partie avant de la hotte avec le rebord des armoires. Ensuite, serrez fermement toutes les vis (Figure 8).

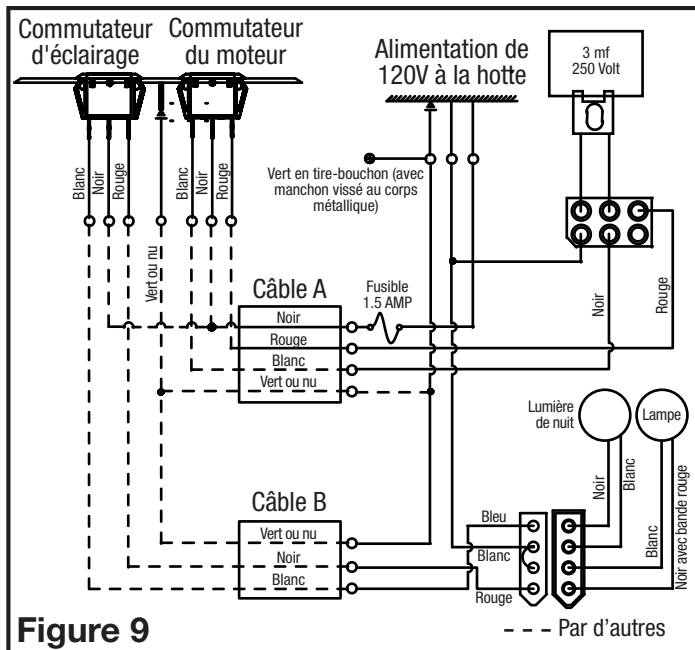


Figure 9

SECTION 7

Conduits



MISE EN GARDE : TOUS LES CONDUITS DOIVENT ÊTRE CONFORMES AUX CODES DU BÂTIMENT LOCAUX ET NATIONAUX.

REMARQUE : La canalisation de ce ventilateur à l'extérieur du bâtiment a un effet important sur le flux d'air, le bruit et la consommation d'énergie du ventilateur. Utilisez la route de canalisation la plus courte et la plus droite possible pour une meilleure performance, et évitez d'installer le ventilateur avec des conduits plus petits que recommandé. L'isolation autour des conduits peut réduire la perte d'énergie et empêcher le développement de moisissures. Il se peut que les ventilateurs installés avec des conduits existants n'atteignent pas leur débit d'air nominal.



AVERTISSEMENT : AFIN DE RÉDUIRE LES RISQUES D'INCENDIE, UTILISEZ UNIQUEMENT DES CONDUITS EN MÉTAL.

1. Reliez le conduit au raccord et à l'adaptateur de la hotte. Assurez-vous que les joints des conduits et les pénétrations extérieures sont scellés avec du mastic ou tout autre matériau similaire pour créer un passage d'air étanche afin de minimiser la perte ou le gain de chaleur et réduire le risque de condensation. Placez / enveloppez l'isolant autour du conduit et / ou ventilateur afin de minimiser la possibilité d'accumulation de condensation à l'intérieur du conduit, ainsi que la perte ou le gain de chaleur (Figure 10).

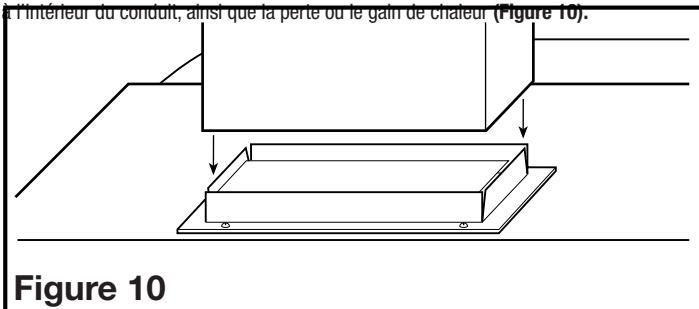


Figure 10



MISE EN GARDE : DIRIGEZ TOUJOURS LES CONDUITS DU VENTILATEUR VERS L'EXTÉRIEUR EN VOUS ASSURANT QUE L'EXTRÉMITÉ EST MUNIE D'UN CAPUCHON DE MUR OU DE TOIT.

SECTION 8

Fin de l'installation

1. Réinstallez le panneau inférieur que vous avez retiré à la Section 1 en le fixant à l'aide des 4 vis.
2. Réinstallez les filtres en les glissant dans les rainures, de chaque côté de la hotte, et en les poussant vers le haut jusqu'à ce qu'ils soient bien en place (Figure 11).

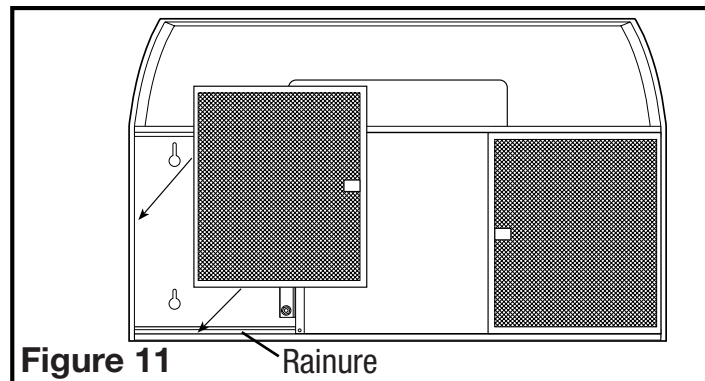


Figure 11 Rainure

3. Installez la lampe LED de 8 watts incluse dans la douille en alignant les broches de la base de la lampe à la prise de la douille et le tournant doucement dans le sens des aiguilles d'une montre jusqu'à ce que la lampe se mette en place et soit bien installée dans la douille de lampe. Installez une lampe veilleuse (non comprise) de type C7 (à petit culot) d'un maximum de 4 watts dans la douille latérale, puis réinstallez l'écran protecteur de lampe. Pour ce faire, serrez les côtés de l'écran et insérez-les dans les encoches de la hotte.
4. Réglez les deux commutateurs à bascule à la position «OFF» et rétablissez le courant. Vérifiez si la lumière et le ventilateur fonctionnent correctement.
5. Si vous entendez un bruit de vibration, cherchez-en la source et essayez de resserrer les fixations. Sinon, vous pouvez ajuster le ruban adhésif afin de resserrer ou de sceller le point de connexion.

SECTION 9

Commandes

Votre hotte est commandée par deux commutateurs à bascule à distance avec un qui commande l'éclairage et l'autre qui contrôle le ventilateur d'extraction. Chaque interrupteur comprend trois positions, gauche, centre et droite. Pour le commutateur du ventilateur, la position de gauche (I) est à faible vitesse, tandis que la position de droite (II) est à grande vitesse. La position à gauche de l'interrupteur de lumière (O) éclaire la lumière de nuit seulement, alors que la position à droite (●) éclaire la lumière principale seulement. Le centre des deux commutateurs est la position «OFF».

SECTION 10

Entretien



MISE EN GARDE : ASSUREZ-VOUS QUE L'ALIMENTATION ÉLECTRIQUE EST COUPÉE À PARTIR DU PANNEAU DE DISTRIBUTION AVANT DE PROCÉDER À L'ENTRETIEN DE L'APPAREIL.

Filtres

1. **Filtre à graisses** - Des filtres à graisses en aluminium, que vous devez nettoyer au moins une fois par mois, sont inclus avec la hotte. Ceux-ci vont au lave-vaisselle et doivent être lavés avec un savon ou un détergent doux. Pour retirer les filtres, suivez les instructions de la section « Fin de l'installation » en commençant par la fin. Remplacez les filtres à graisses endommagés par des filtres Air King de modèle GF-01.
2. **Filtre à odeurs au charbon** - Les filtres à odeurs au charbon (optionnels) ne peuvent être nettoyés. S'ils deviennent trop sales et ne filtrent plus les odeurs ou qu'ils ont un an d'usage, vous devez les jeter et vous en procurer des nouveaux. Remplacez-les par les filtres à odeurs Air King de modèle CF-01.

Changement de la lampe

1. Retirez l'écran protecteur de lampe en appuyant sur les côtés. Le panneau est maintenu en place grâce à la pression exercée sur les languettes de la hotte.

Ampoule LED : Retirez la lampe en tournant attentivement dans le sens contraire des aiguilles d'une montre pour libérer la lampe de la base. L'installation est l'inverse de la dépose. L'installation est l'inverse du démontage. Remplacez par le modèle AK8LED40 ou une lampe compatible de 8W GU24.

Lampe veilleuse : dévissez l'ampoule de la veilleuse de la douille et remplacez-la par une ampoule de veilleuse de type C7 (à petit culot) d'un maximum de 4 watts.

Fusible

1. Pour remplacer le fusible, tournez vers la droite le dessus de la fusible localisée à côté du fil conducteur et tirez. Remplacez avec un fusible de 125 volts, 1-1/2 ampères max. Remettez la fusible dans son emplacement (Figure 7).

Nettoyage



MISE EN GARDE : N'UTILISEZ PAS D'ESSENCE, DE BENZINE, DE DILUANT, DE PRODUITS D'ENTRETIEN PUISSANTS, ETC., PUISQU'ILS POURRAIENT ENDOMMAGER LA HOTTE.

1. Nettoyez la hotte avec du savon doux, comme du savon à vaisselle liquide, et un chiffon doux et sec. **N'UTILISEZ JAMAIS DE TAMPON ABRASIF OU DE POUDRE À RÉCURER.** Essayez complètement l'appareil avant de rétablir l'alimentation électrique. **N'IMMERGEZ JAMAIS DE COMPOSANTS ÉLECTRIQUES DANS L'EAU.**
2. Vous pouvez nettoyer les dépôts (saletés, peluches, etc.) qui se sont accumulés dans le ventilateur à l'aide d'un aspirateur. Comme le ventilateur est continuellement lubrifié, il n'est pas nécessaire de l'huiler.

Guide de dépannage

Trouble	Cause possible	Solution suggérée
1. La hotte ne fonctionne pas lorsque l'interrupteur est à EN (ON).	1a. Un fusible peut être grillé ou un disjoncteur peut être déclenché. 1b. Le câblage n'est pas raccordé correctement.	1a. Remplacer le fusible ou réinitialiser le disjoncteur. 1b. Couper l'alimentation de l'unité. Vérifier que tous les fils sont raccordés.
2. La hotte fonctionne, mais l'air circule plus lentement que la normale.	2. Obstruction dans les conduits d'évacuation.	2. Vérifier pour quelque obstruction dans les conduits incluant le filtre.
3. La hotte produit un son de crécelle.	3a. Le moteur est lâche. 3b. Le raccord des conduits est lâche.	3a. Couper l'alimentation de l'unité. Retirer le filtre, vérifier que toutes les vis sont serrées complètement. 3b. Couper l'alimentation de l'unité. Vérifier que tous les raccords des conduits sont bien serrés.

GARANTIE LIMITÉE

CE QUE COUVRE CETTE GARANTIE : Ce produit est garanti contre tout vice de fabrication ou de matière.

COMBIEN DE TEMPS CETTE GARANTIE DURE : Cette garantie se rapporte seulement à l'acheteur original du produit et dure pendant une (1) année de la date de l'achat original ou jusqu'à ce que l'acheteur original du produit vend ou transfère le produit, celui qui se produit en premier.

QUE FERA AIR KING : Au cours de la période de garantie, Air King, à son choix, réparera ou remplacera n'importe quelle partie ou pièces qui s'avèrent défectueuses ou remplacera le produit entier par le même modèle ou un modèle comparable.

CE QUE CETTE GARANTIE NE COUVRE PAS : Cette garantie ne s'applique pas si le produit était endommagé ou arrête de fonctionner en raison d'un accident, d'une mauvaise manipulation ou opération, de dommages d'expédition, d'abus, de mauvaise utilisation, de réparation faite ou tentées non autorisées. Cette garantie ne couvre pas les coûts d'expédition pour le retour des produits à Air King pour la réparation ou le remplacement. Air King payera les frais d'expédition de retour de Air King après les réparations ou le remplacement de garantie.

TOUTES LES GARANTIES, EXPRESSES OU TACITES (COMPRENANT, SANS LIMITATION, TOUTE GARANTIE TACITE DE VALEUR MARCHANDE), DURENT UN AN DE LA DATE DE L'ACHAT ORIGINAL OU JUSQU'À CE QUE L'ACHETEUR ORIGINAL DU PRODUIT VEND OU TRANSFÈRE LE PRODUIT, CELUI QUI SE PRODUIT EN PREMIER ET DANS AUCUN CAS AIR KING N'ASSUME AUCUNE RESPONSABILITÉ EXPRESSE OU TACITE POUR (I) DES DOMMAGES ACCIDENTELS OU INDIRECTS DE N'IMPORTE QUELLE CAUSE, OU (II) LE REMPLACEMENT OU LA RÉPARATION DE TOUS FUSIBLES, DISJONCTEURS OU RÉCEPTACLES DE MAISON. MALGRÉ N'IMPORTE QUOI À L'EFFET CONTRAIRE, DANS AUCUN CAS LA RESPONSABILITÉ D'AIR KING, SOUS UNE GARANTIE EXPRESSE OU TACITE, NE DÉPASSERA LE PRIX D'ACHAT DU PRODUIT ET UNE TELLE RESPONSABILITÉ SE TERMINERA AVEC L'EXPIRATION DE LA PÉRIODE DE GARANTIE.

Certains états et provinces ne permettent pas les limitations de la période de garantie, ou l'exclusion ou la restriction des dommages accidentels ou indirects, et, par conséquent, les présentes restrictions ne peuvent pas s'appliquer. La présente garantie vous donne des droits légaux spécifiques et peut-être certains autres droits qui peuvent varier selon la province. La preuve d'achat est exigée avant qu'une réclamation de garantie ne soit acceptée.

SERVICE À LA CLIENTÈLE :

Sans frais (800) 465-7300

Notre équipe de service à la clientèle est disponible pour vous aider avec des questions sur le produit, les adresses des centres de service, et les pièces de rechange. Vous pouvez la rejoindre, du lundi au vendredi, de 8h:00 à 16h:00 HNE. Veuillez avoir le numéro du modèle disponible, ainsi que le genre et le style (qui se trouvent sur l'étiquette à l'intérieur de votre produit).

Veuillez ne pas renvoyer le produit à l'endroit de l'achat.

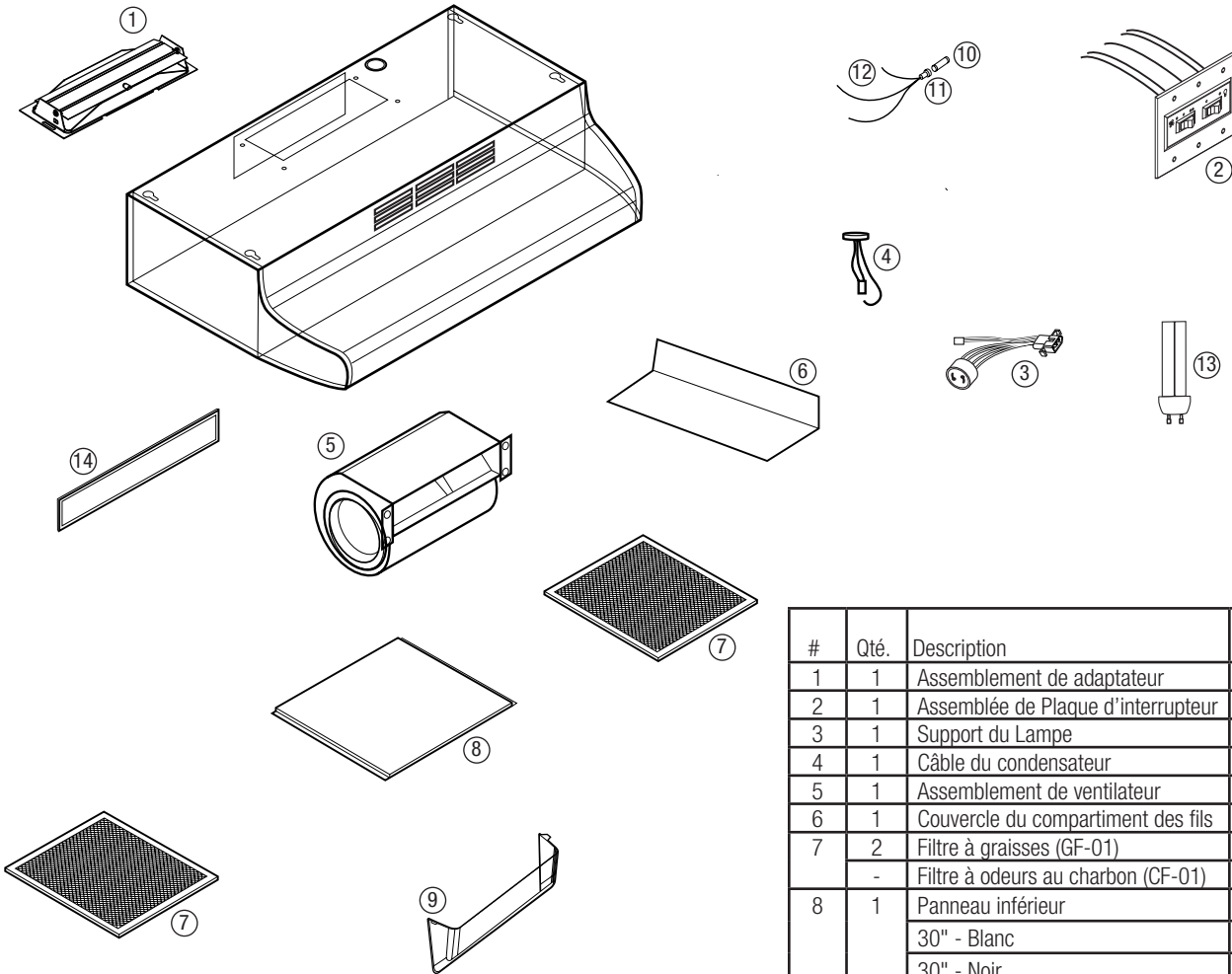
www.airkinglimited.com

IL SE PEUT QUE LES PIÈCES POUR LES PRODUITS DISCONTINUÉS, OBSOLÈTES ET AUTRES PRODUITS NE SOIENT PAS DISPONIBLES. POUR DES RAISONS DE SÛRETÉ, BEAUCOUP DE COMPOSANTS ÉLECTRONIQUES ET LA PLUPART DES COMPOSANTS DES CHAUFFAGES NE SONT PAS À LA DISPOSITION DES CONSOMMATEURS POUR L'INSTALLATION OU LE REMPLACEMENT.

Installateur : _____ Date d'installation : _____

Lieu de l'achat : _____ Numéro de modèle : _____

TABLEAU DES PIÈCES DE RECHANGE



#	Qté.	Description	# de pièce de remplacement
1	1	Assemblage de adaptateur	5S1199080
2	1	Assemblée de Plaque d'interrupteur	5S1143131
3	1	Support du Lampe	5S1199703
4	1	Câble du condensateur	5S1111019
5	1	Assemblage de ventilateur	5S1144001
6	1	Couvercle du compartiment des fils	5S1111048
7	2	Filter à graisses (GF-01)	5S1111033
	-	Filter à odeurs au charbon (CF-01)	5S1111034
8	1	Panneau inférieur	
		30" - Blanc	5S1144333
		30" - Noir	5S1144336
		30" - Acier inoxydable	5S1144338
		36" - Blanc	5S1144343
		36" - Noir	5S1144346
		36" - Acier inoxydable	5S1144348
9	1	Écran protecteur de lampe	5S1111053
10	1	Fusible	5S1111054
11	1	Socle à Fusible	5S1199205
12	1	Fil conducteur interne	5S1111055
13	1	Lampe de 8 watts LED	5S1250001
14	1	Louver Plate - Blanc	5S1429003
	1	Noir	5S1429006