

# IMPORTANT INSTRUCTIONS - OPERATING MANUAL

AKZA200D, AKZA200D1



Exhaust Fan



## READ AND SAVE THESE INSTRUCTIONS

READ CAREFULLY BEFORE ATTEMPTING TO ASSEMBLE, INSTALL, OPERATE OR MAINTAIN THE PRODUCT DESCRIBED. PROTECT YOURSELF AND OTHERS BY OBSERVING ALL SAFETY INFORMATION. FAILURE TO COMPLY WITH INSTRUCTIONS COULD RESULT IN PERSONAL INJURY AND/OR PROPERTY DAMAGE!



RETAIN INSTRUCTIONS FOR FUTURE REFERENCE.

## GENERAL SAFETY INFORMATION

When using electrical appliances, basic precautions should always be followed to reduce the risk of fire, electric shock and injury to person, including the following:



**WARNING:** TO REDUCE THE RISK OF FIRE, ELECTRIC SHOCK AND INJURY TO PERSON, OBSERVE THE FOLLOWING:

- a) Use this unit only in the manner intended by the manufacturer. If you have questions, contact the manufacturer.
- b) Before servicing or cleaning the unit, switch power off at service panel and lock the service disconnecting means to prevent power from being switched on accidentally. When the service disconnecting means cannot be locked, securely fasten a prominent warning device, such as a tag, to the service panel.



**WARNING:** TO REDUCE THE RISK OF FIRE, ELECTRIC SHOCK AND INJURY TO PERSON, OBSERVE THE FOLLOWING:

- a) Installation work and electrical wiring must be done by qualified person(s) in accordance with all applicable codes and standards, including fire-related construction.
- b) Sufficient air is needed for proper combustion and exhausting of gases through the flue (chimney) of fuel burning equipment to prevent back drafting. Follow the heating equipment manufacturer's guideline and safety standards such as those published by the National Fire Protection Association (NFPA) and the American Society for Heating, Refrigeration, and Air Conditioning Engineers (ASHRAE), and the local code authorities.
- c) When cutting or drilling into wall or ceiling, do not damage electrical wiring and other hidden utilities.



**CAUTION:** FOR GENERAL VENTILATING USE ONLY. DO NOT USE TO EXHAUST HAZARDOUS OR EXPLOSIVE MATERIALS AND VAPORS.

- d) Ducted fans must always be vented to the outdoors.
- e) This unit must be grounded.
- f) To avoid motor bearing damage and noisy and/or unbalanced impellers, keep drywall spray, construction dust, etc. off power unit.
- g) Read all instructions before installing or using exhaust fan.



**WARNING:** TO REDUCE THE RISK OF FIRE, ELECTRIC SHOCK, DO NOT USE THIS FAN WITH ANY SOLID-STATE SPEED CONTROL DEVICE.



**WARNING:** DO NOT USE IN KITCHENS.



**WARNING:** THE DUCTING FROM THIS FAN TO THE OUTSIDE OF THE BUILDING HAS A STRONG EFFECT ON THE AIR FLOW, NOISE AND ENERGY USE OF THE FAN. USE THE SHORTEST, STRAIGHTEST DUCT ROUTING POSSIBLE FOR BEST PERFORMANCE, AND AVOID INSTALLING THE FAN WITH SMALLER DUCTS THAN RECOMMENDED. INSULATION AROUND THE DUCTS CAN REDUCE ENERGY LOSS AND INHIBIT MOLD GROWTH. FANS INSTALLED WITH EXISTING DUCTS MAY NOT ACHIEVE THEIR RATED AIRFLOW.

## SAVE THESE INSTRUCTIONS

# INSTALLATION INSTRUCTIONS



**CAUTION:** MAKE SURE POWER IS SWITCHED OFF AT SERVICE PANEL BEFORE STARTING INSTALLATION.

## SECTION 1

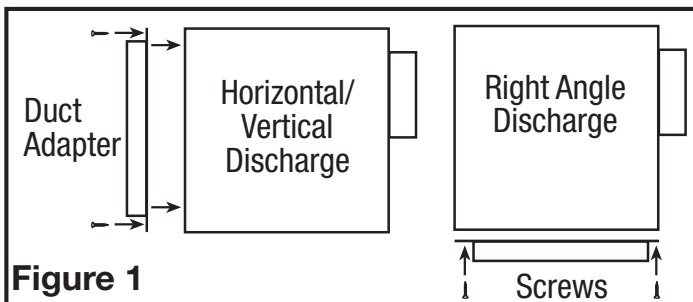
### Preparing the Exhaust Fan

1. Unpack fan from the carton and confirm that all pieces are present. In addition to the exhaust fan you should have:
  - 1 - Duct Adapter Panel
  - 1 - Side Panel (attached)
  - 1 - Damper Assembly (attached)
  - 2 - Mounting Brackets
  - 1 - Hardware bag
    - 7 - Screws
    - 4 - Nuts
  - 1 - Instruction/Safety Sheet
2. Choose the location for your fan. To ensure the best air and sound performance, it is recommended that the length of ducting and the number of elbows be kept to a minimum, the radius of each elbow be as large as possible for the installation, and that insulated hard ducting be used. This fan will require at least 12" of clearance in the ceiling or wall, and will mount through drywall up to 1/2" thick. The fan mounts between 24" on center joists using the provided mounting brackets.
3. No additional vibration deadening materials are needed for this fan.

## SECTION 2

### Determine Discharge

1. Determine if you will require the unit to exhaust vertically/horizontally or at a right angle and install the included duct adapter panel accordingly, using the included screws (Figure 1).



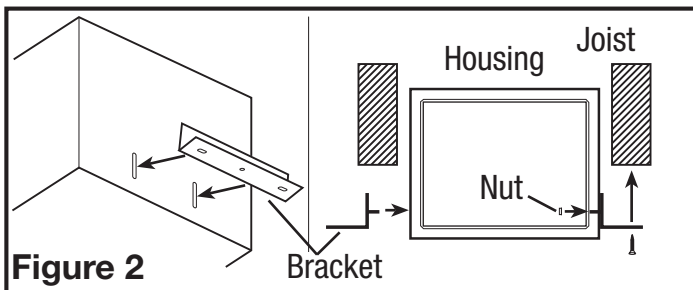
**NOTE:** In the right angle configuration the air will enter the unit and flow out the side at a 90° angle. In the horizontal/vertical discharge configuration, the air will enter the unit and flow directly out the other side.

2. Once the duct adapter panel is installed, using the same procedure as in Step 1, install the side panel onto the open end of the housing (this will be dependent on how you have chosen to exhaust the unit).

## SECTION 3

### Mounting to a Joist

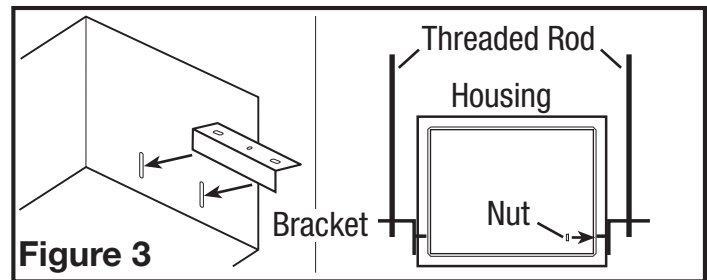
1. If the mounting brackets are not already in place, install both brackets through the top set of slots on the fan housing and secure in place with the four included nuts as shown. Center the fan housing between the joists and secure the mounting brackets with screws (not included) to the joist. Adjust the height of the housing so that it will be flush with the finished ceiling by loosening the mounting bracket nuts and sliding the housing up or down on the bracket. Full tighten all four nuts to secure the housing in place (Figure 2).



## SECTION 4

### Hanging Installation

1. If the mounting brackets are not already in place, install both brackets through the top set of slots on the fan housing and secure in place with the four included nuts as shown. Lift unit up onto the threaded rods and secure in place using appropriate hardware (not included) (Figure 3).



## SECTION 5

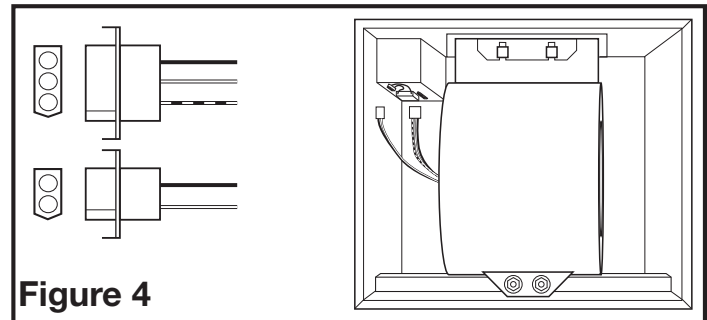
### Ducting



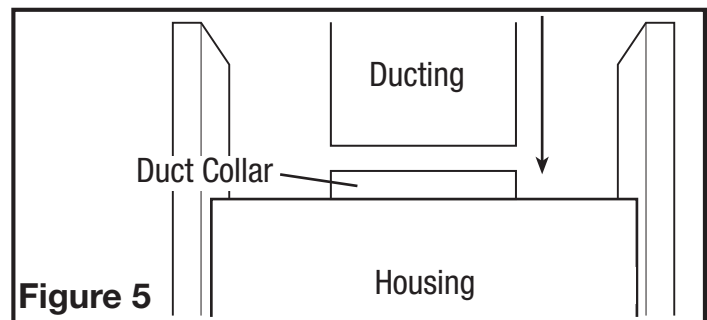
**CAUTION:** ALL DUCTING MUST COMPLY WITH LOCAL AND NATIONAL BUILDING CODES.

**NOTE:** To ensure quiet operation, at least 8 feet of insulated flexible duct or insulated duct board needs to be installed between the exhaust or supply grille(s) and the fan.

1. Before installing the ducting, make sure the fan's 2 pin and 3 pin quick connect motor cords are plugged into the corresponding receptacle located on the interior wire compartment cover. These cords will only fit one way into the receptacles (Figure 4).



2. Connect the ducting to the fan's duct collar (Figure 5). Seal ducting to housing with appropriately rated tape. Use screws (rectangular duct) or suitable clamps (round duct) to secure in place. Do not allow screws to interfere with operation of damper. Always duct the fan to the outside through a wall or roof cap. It is recommended that low restriction termination fittings be used.



## SECTION 6

### Wiring



**CAUTION:** MAKE SURE POWER IS SWITCHED OFF AT SERVICE PANEL BEFORE STARTING INSTALLATION.



**CAUTION:** ALL ELECTRICAL CONNECTIONS MUST BE MADE IN ACCORDANCE WITH LOCAL CODES, ORDINANCES, OR NATIONAL ELECTRICAL CODE. IF YOU ARE UNFAMILIAR WITH METHODS OF INSTALLING ELECTRICAL WIRING, SECURE THE SERVICES OF A QUALIFIED ELECTRICIAN.

**NOTE:** This unit includes a side access panel for wiring that does not require the removal of the fan's blower assembly.

1. Remove the wire compartment cover screw and place cover in a secure place (Figure 6).

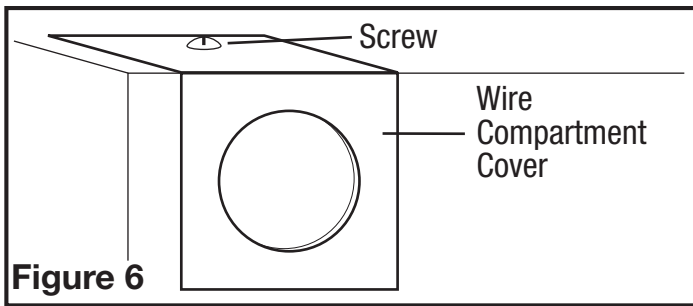


Figure 6

2. **Continuous Ventilation:** For two speed fans wired for continuous ventilation, connect the White wire of the fan to the White (Neutral) wire from the power source. Connect the ground wire from the house to the green wire from the fan housing. Run 2 wires from a properly grounded wall switch (not included) to the fan. Connect the Black wire of the fan to the Black wire (Hot) from the power source. Connect the Hot Yellow wire from the fan to the input of the switch. Connect the second Yellow wire from the fan to the output side of the switch. Closing the switch will change from normal to high speed. (Figure 7). Use approved methods for all connections.

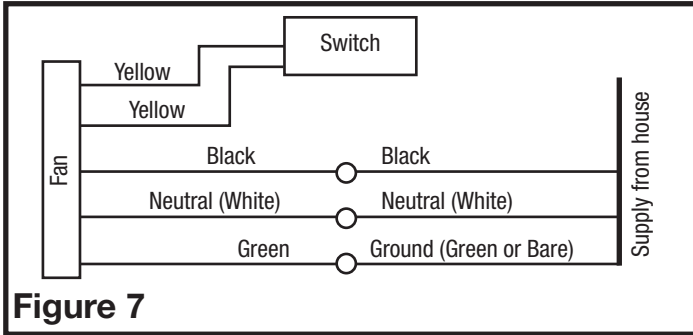


Figure 7

- 2b. **Intermittent Ventilation:** For two speed fans wired for intermittent ventilation with a standard duplex toggle switch (such as Leviton 5224-2W not included). Connect the White wire of the fan to the White (Neutral) wire from the power source. Connect the ground wire from the fan to the ground wire from the power source. Properly ground the switches. Connect the black wire from the supply to one side of the top switch. Connect the black wire from the fan to the other side of the top switch, Connect 1 yellow wire from the fan to each side of the bottom switch. The top switch turns the fan On & Off, the bottom switch changes speed between high and low (Figure 8). Use approved methods for all connections.

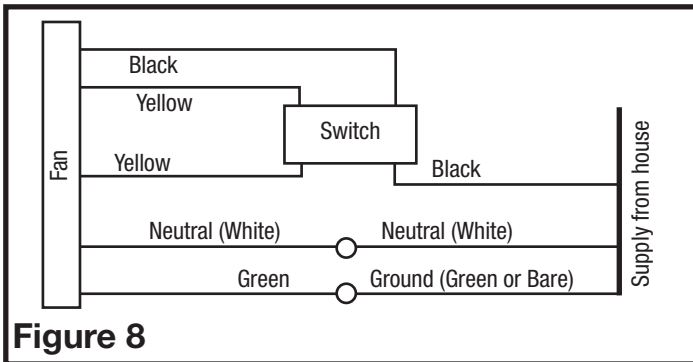


Figure 8

**NOTE:** Unit must be grounded according to all local and national codes.

3. Carefully tuck wire back inside wire compartment and replace wire compartment cover securing with the screw that was removed earlier.

## SECTION 7

### Completing the Installation

**NOTE:** When fan is mounted inline and no penetration is made into unconditioned spaces, there is no need to use a sealant appropriate for contact with the building materials present and for the temperature requirements of the installation to prevent air leakage from unconditioned spaces. Additional material (backing rod, ceiling material) are also not required.

**NOTE:** This fan is rated for direct insulation contact (Type IC) and it is recommended that this fan be completely covered by insulation in order to reduce heat loss or gain to unconditioned space.

1. Restore power and test your installation.

## SECTION 8

### Access Panel

1. This unit includes a hinged access panel. This allows access to the interior of the fan once installed. To access the interior, unscrew the screws holding the panel in place (Figure 9).

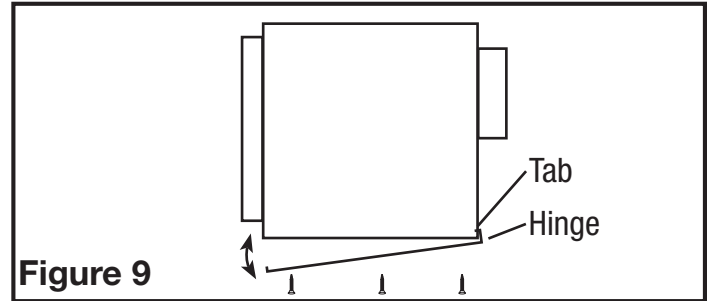


Figure 9

2. Reinstall the access panel by making sure the tabs are inserted into the slots on the housing and pivoting the panel back towards the housing. Using the screws removed in step 1, reattach the panel.

## SECTION 9

### Activating the Boost Speed

If your unit is equipped with a boost speed, and it is determined that additional flow is necessary due to excessive duct resistance or other field conditions activate the boost speed by:

1. Find the 2 wire harness from the fan motor to the capacitor.
2. Disconnect the harness from the capacitor at the quick connect fitting and remove the "Boost Label" from the quick connect fitting on the boost capacitor.
3. Plug the motor harness into the boost capacitor.

## SECTION 10

### Use and Care



**CAUTION:** MAKE SURE POWER IS SWITCHED OFF AT SERVICE PANEL BEFORE SERVICING THE UNIT.

1. **Cleaning the Fan Assembly:** Wipe all parts with a dry cloth or gently vacuum the fan. NEVER IMMERSE ELECTRICAL PARTS IN WATER.

### CALIFORNIA RESIDENTS ONLY:



**WARNING:** THIS PRODUCT CAN EXPOSE YOU TO A CHEMICAL [OR CHEMICALS] KNOWN TO THE STATE OF CALIFORNIA TO CAUSE CANCER.



**WARNING:** THIS PRODUCT CAN EXPOSE YOU TO A CHEMICAL [OR CHEMICALS] KNOWN TO THE STATE OF CALIFORNIA TO CAUSE REPRODUCTIVE TOXICITY.

## Troubleshooting Guide

Trouble	Probable Cause	Suggested Remedy
1. Fan does not operate when the switch is on.	1a. A fuse may be blown or a circuit tripped. 1b. Connector plug from motor is not plugged in. 1c. Wiring is not connected properly. 1d. Motor has stopped operating.	1a. Replace fuse or reset circuit breaker. 1b. Turn off power to unit. Remove Grill and plug motor into receptacle in housing. Restore power to unit. 1c. Turn off power to unit. Check that all wires are connected. 1d. Replace motor.
2. Fan is operating, but air moves slower than normal.	2. Obstruction in the exhaust ducting.	2. Check for any obstructions in the ducting. The most common are bird nests in the roof cap or wall cap where the fan exhausts to the outside.
3. Fan is operating louder than normal	3a. Motor is loose. 3b. Fan blade is hitting housing of unit.	3a. Turn off power to unit. Remove grill and check that all screws are fully tightened. Restore power to unit. 3b. Call your dealer for service.

# LIMITED WARRANTY

**WHAT THIS WARRANTY COVERS:** This product is warranted against defects in workmanship and/or materials.

**HOW LONG THIS WARRANTY LASTS:** This warranty extends only to the original purchaser of the product and lasts for five (5) years from the date of original purchase or until the original purchaser of the product sells or transfers the product, whichever first occurs.

**WHAT AIR KING WILL DO:** During the warranty period, Air King will, at its sole option, repair or replace any part or parts that prove to be defective or replace the whole product with the same or comparable model.

**WHAT THIS WARRANTY DOES NOT COVER:** This warranty does not apply if the product was damaged or failed because of accident, improper handling or operation, shipping damage, abuse, misuse, unauthorized repairs made or attempted. This warranty does not cover shipping costs for the return of products to Air King for repair or replacement. Air King will pay return shipping charges from Air King following warranty repairs or replacement.

**ANY AND ALL WARRANTIES, EXPRESSED OR IMPLIED (INCLUDING, WITHOUT LIMITATION, ANY IMPLIED WARRANTY OF MERCHANTABILITY), LAST FIVE YEARS FROM THE DATE OF ORIGINAL PURCHASE OR UNTIL THE ORIGINAL PURCHASER OF THE PRODUCT SELLS OR TRANSFERS THE PRODUCT, WHICHEVER FIRST OCCURS AND IN NO EVENT SHALL AIR KING'S LIABILITY UNDER ANY EXPRESS OR IMPLIED WARRANTY INCLUDE (I) INCIDENTAL OR CONSEQUENTIAL DAMAGES FROM ANY CAUSE WHATSOEVER, OR (II) REPLACEMENT OR REPAIR OF ANY HOUSE FUSES, CIRCUIT BREAKERS OR RECEPTACLES. NOTWITHSTANDING ANYTHING TO THE CONTRARY, IN NO EVENT SHALL AIR KING'S LIABILITY UNDER ANY EXPRESS OR IMPLIED WARRANTY EXCEED THE PURCHASE PRICE OF THE PRODUCT AND ANY SUCH LIABILITY SHALL TERMINATE UPON THE EXPIRATION OF THE WARRANTY PERIOD.**

Some states and provinces do not allow limitations on how long an implied warranty lasts, or the exclusion or limitation of incidental or consequential damages, so these exclusions or limitations may not apply to you. This warranty gives you specific legal rights. You may also have other rights which vary from state to state and province to province. Proof of purchase is required before a warranty claim will be accepted.

## CUSTOMER SERVICE:

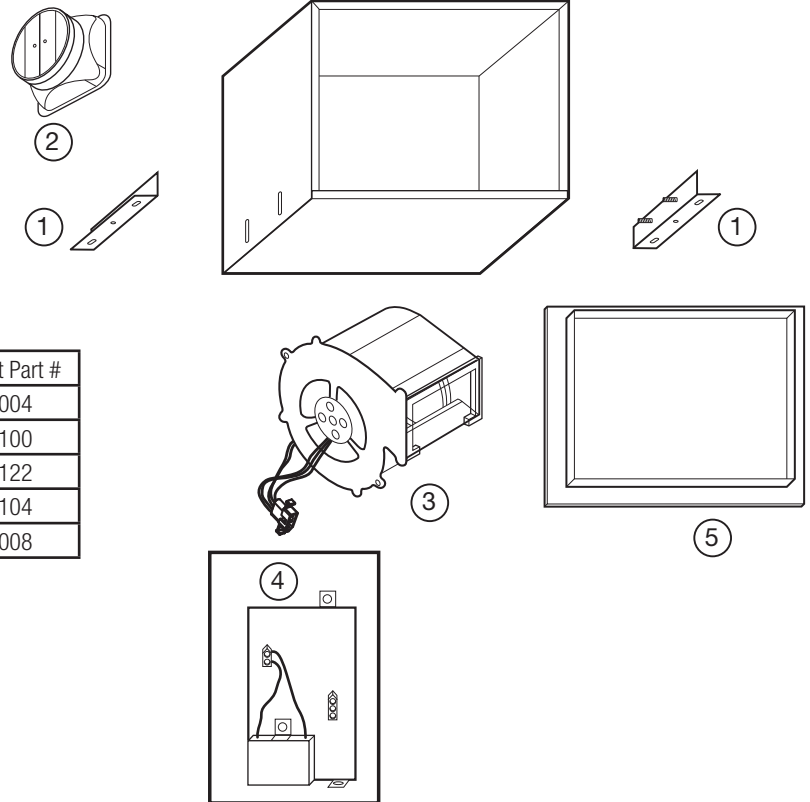
Toll-Free (800) 465-7300

Our Customer Service team is available to assist you with product questions, service center locations, and replacement parts. They can be reached Monday through Friday, 8am-4pm Eastern. Please have your model number available, as well as the type and style (located on the label inside of your product).

Please do not return product to place of purchase.

[www.airkinglimited.com](http://www.airkinglimited.com)

**PARTS FOR DISCONTINUED, OBSOLETE AND CERTAIN OTHER PRODUCTS MAY NOT BE AVAILABLE. DUE TO SAFETY REASONS, MANY ELECTRONIC COMPONENTS AND MOST HEATER COMPONENTS ARE NOT AVAILABLE TO CONSUMERS FOR INSTALLATION OR REPLACEMENT.**



#	Qty.	Description	Replacement Part #
1	2	Mounting Brackets	5S1249004
2	1	Collar Assembly	5S5299100
3	1	Blower Assembly	5S1239122
4	1	Wire Compartment Assembly	5S1253104
5	1	Duct Adapter	5S1249008

Installer: \_\_\_\_\_

Installation Date: \_\_\_\_\_

Place of Purchase: \_\_\_\_\_

Model Number: \_\_\_\_\_

# INSTRUCTIONS IMPORTANTES – MODE D'EMPLOI

AKZA200D, AKZA200D1

**Air King**  
Ventilation Products®

Ventilateur d'Évacuation



## LIRE ET CONSERVER CES INSTRUCTIONS

LIRE SOIGNEUSEMENT AVANT DE TENTER D'ASSEMBLER, INSTALLER, OPÉRER OU DE RÉPARER LE PRODUIT DÉCRIT. PROTÉGEZ VOUS-MÊME ET LES AUTRES EN OBSERVANT TOUTE L'INFORMATION DE SÉCURITÉ. FAILLIR À SE CONFORMER AUX INSTRUCTIONS PEUT RÉSULTER EN BLESSURE PERSONNELLE GRAVE ET/OU EN DOMMAGE À LA PROPRIÉTÉ.



CONSERVER CES INSTRUCTIONS POUR RÉFÉRENCES FUTURES.

## INSTRUCTIONS GÉNÉRALES DE SÉCURITÉ



Lors de l'utilisation d'appareils électriques, des précautions de base doivent toujours être suivies pour réduire les risques d'incendie, de choc électrique et de blessures corporelles, incluant ce qui suit:



**AVERTISSEMENT** : POUR RÉDUIRE LES RISQUES D'INCENDIE, DE CHOC ÉLECTRIQUE OU DE BLESSURES PERSONNELLES OBSERVER CE QUI SUIT:

- Utiliser cette unité seulement de la manière pour laquelle le fabricant l'a conçu. Si vous aviez des questions, veuillez contacter le fabricant.
- Avant d'effectuer un service ou de nettoyer l'unité, couper l'alimentation électrique dans le panneau de distribution et verrouiller le dispositif de déconnexion afin d'éviter que l'alimentation ne revienne accidentellement. Lorsque le dispositif ne peut être verrouillé, fixer solidement un avis d'avertissement, tel qu'une étiquette, au panneau de distribution.



**AVERTISSEMENT** : POUR RÉDUIRE LES RISQUES D'INCENDIE, DE CHOC ÉLECTRIQUE OU DE BLESSURES PERSONNELLES OBSERVER CE QUI SUIT:

- Le travail d'installation et le câblage électrique doivent être effectués par une(des) personne(s) qualifiée(s) en conformité avec tous les codes et normes applicables, incluant la construction relative aux incendies.
- De l'air en quantité suffisante est requis pour la bonne combustion et l'évacuation de gaz par le conduit (cheminée) provenant d'équipement de brûlage au combustible pour prévenir un refoulement. Suivre les directives du fabricant de l'équipement de chauffage et les normes de sécurité telles que celles publiées par la National Fire Protection Association (NFPA) et de la American Society for Heating, Refrigeration, and Air Conditioning Engineers (ASHRAE), et de celles des autorités locales du code.
- Lors de coupe ou de perçage des murs et plafonds, ne pas endommager le filage électrique et autres utilités cachées.



**ATTENTION** : POUR USAGE DE VENTILATION GÉNÉRALE EXCLUSIVEMENT. NE PAS UTILISER POUR ÉVACUER DU MATÉRIEL ET DES VAPEURS DANGEREUSES OU EXPLOSIVES.

- Les ventilateurs avec conduits doivent toujours être évacués vers l'extérieur
- Cette unité doit être mise à la terre
- Pour éviter des dommages aux roulements des moteurs et/ou des hélices bruyantes ou déséquilibrées, empêcher la poussière de cloison sèche, poussière de construction, etc., d'atteindre l'unité de puissance.
- Lire toutes les instructions avant d'installer ou d'utiliser la ventilateur.



**AVERTISSEMENT** : POUR RÉDUIRE LES RISQUES D'INCENDIE OU DE CHOC ÉLECTRIQUE, NE PAS UTILISER CE VENTILATEUR AVEC UN RÉGULATEUR DE VITESSE ÉLECTRONIQUE.



**AVERTISSEMENT** : NE PAS UTILISER DANS LES CUISINES



**AVERTISSEMENT** : LA CANALISATION DE CE VENTILATEUR À L'EXTÉRIEUR DU BÂTIMENT A UN EFFET IMPORTANT SUR LE FLUX D'AIR, LE BRUIT ET LA CONSOMMATION D'ÉNERGIE DU VENTILATEUR. UTILISEZ LA ROUTE DE CANALISATION LA PLUS COURTE ET LA PLUS DROITE POSSIBLE POUR UNE MEILLEURE PERFORMANCE, ET ÉVITEZ D'INSTALLER LE VENTILATEUR AVEC DES CONDUITS PLUS PETITS QUE RECOMMANDÉ. L'ISOLATION AUTOUR DES CONDUITS PEUT RÉDUIRE LA PERTE D'ÉNERGIE ET EMPÊCHER LE DÉVELOPPEMENT DE MOISSURES. IL SE PEUT QUE LES VENTILATEURS INSTALLÉS AVEC DES CONDUITS EXISTANTS N'ATTEignent PAS LEUR DÉBIT D'AIR NOMINAL.

## CONSERVER CES INSTRUCTIONS

# INSTRUCTIONS D'INSTALLATION



**ATTENTION :** VOUS ASSURER QUE L'ALIMENTATION EST COUPÉE AU PANNEAU DE SERVICE AVANT DE COMMENCER L'INSTALLATION.

## SECTION 1

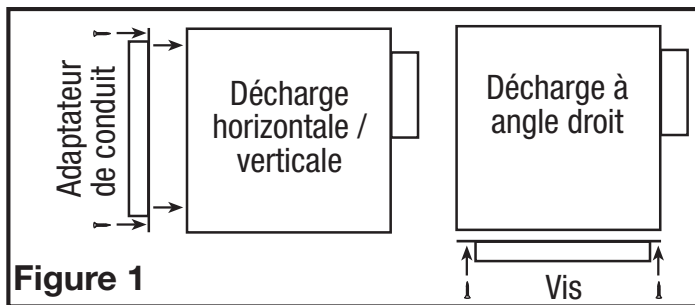
### Préparation du Ventilateur d'évacuation

- Sortir le ventilateur de sa boîte et confirmer que toutes les pièces sont présentes. En plus du ventilateur d'évacuation vous devriez avoir:
    - Panneau adaptateur de conduit
    - Panneau latéral (attaché)
    - Ensemble de clapet (attaché)
  - Supports de montage
  - Sac de la Quincaillerie
    - 7 - Vis
    - 4 - Écrou
  - Feuillet d'instructions / sécurité
- Choisir un emplacement pour votre ventilateur. Pour garantir la meilleure qualité d'air et performance acoustique, il est recommandé que la longueur de la canalisation et le nombre de coudes soient réduits au minimum, que le rayon de chaque coude soit aussi grand que possible pour l'installation, et que des conduits rigides isolés soient utilisés. Ce ventilateur nécessitera au moins 30,5cm (12po) de dégagement dans le plafond ou le mur, et s'installe au travers de cloison sèche d'une épaisseur de jusqu'à 1,3cm (½po). Le ventilateur se monte entre 24 po sur les solives centrales à l'aide des supports de montage fournis.
  - Aucun matériel amortissant de vibrations supplémentaire n'est nécessaire pour ce ventilateur.

## SECTION 2

### Déterminez la décharge

- Déterminez si vous aurez besoin que l'unité décharge verticalement / horizontalement ou à un angle droit et installez le panneau d'adaptateur de conduit inclus, en conséquence, en utilisant les vis fournies (Figure 1).



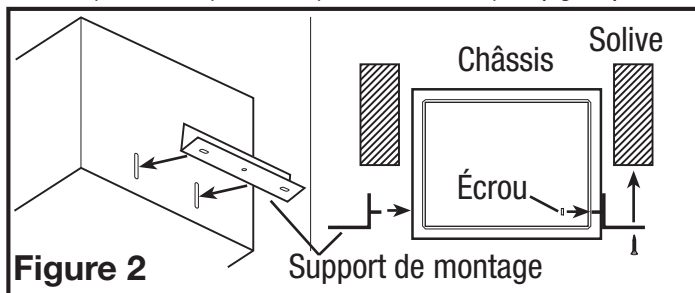
**REMARQUE :** Dans la configuration à angle droit, l'air pénétrera l'unité et s'écoulera par le côté à un angle de 90°. Dans la configuration d'évacuation horizontale / verticale, l'air pénétrera l'appareil et s'écoulera directement de l'autre côté.

- Une fois que le panneau de l'adaptateur de conduit est installé, en utilisant la même procédure que dans l'étape 1, installez le panneau latéral sur l'extrémité ouverte du boîtier (ceci dépendra de la façon dont vous avez choisi de décharger l'unité).

## SECTION 3

### Montage sur une solive

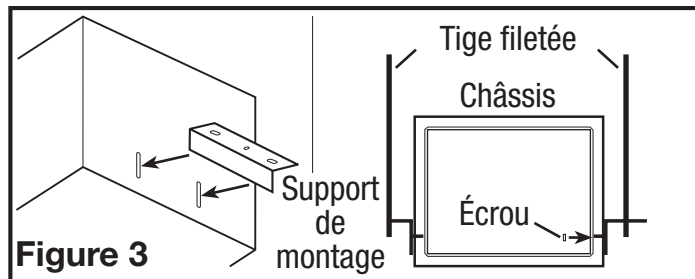
- Si les supports de montage ne sont pas déjà en place, installez les deux supports à travers l'ensemble des fentes de haut sur le boîtier du ventilateur et fixez en place avec les quatre écrous inclus comme indiqué. Centrez le boîtier du ventilateur entre les solives et fixez les supports de montage avec des vis (non incluses) à la solive. Ajustez la hauteur du boîtier de sorte qu'il soit en affleurement avec le plafond fini en desserrant les écrous du support de montage et le boîtier coulissant vers le haut ou vers le bas sur le support. Serrez complètement les quatre écrous pour fixer le boîtier en place (Figure 2).



## SECTION 4

### Installation suspendue

- Si les supports de montage ne sont pas déjà en place, installez les deux supports à travers l'ensemble des fentes du haut sur le boîtier du ventilateur et fixez en place avec les quatre écrous inclus comme indiqué. Soulevez l'unité sur les tiges filetées et fixez en place à l'aide du matériel approprié (non inclus) (Figure 3).



## SECTION 5

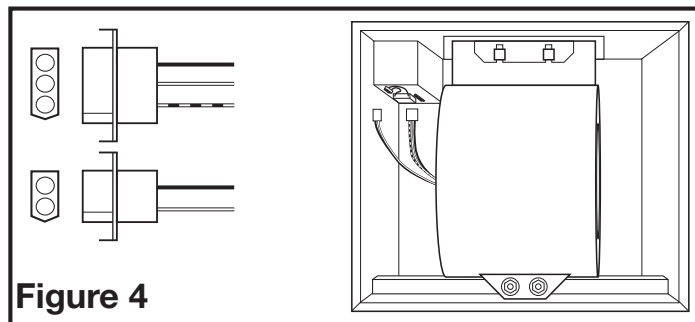
### Conduits



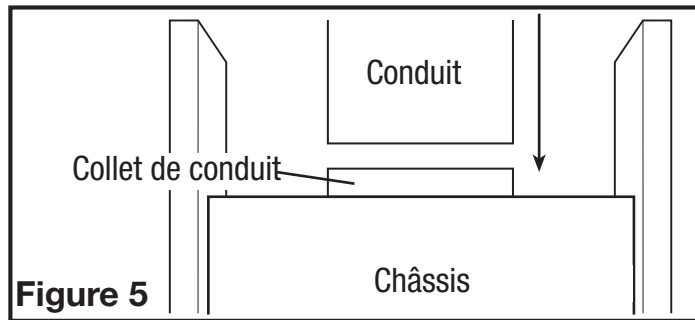
**ATTENTION :** TOUTS LES CONDUITS DOIVENT ÊTRE CONFORMES AUX CODES DU BÂTIMENT LOCAUX ET NATIONAUX.

**REMARQUE :** Pour assurer un fonctionnement silencieux, vous devez installer au moins 8 pieds de conduits flexibles isolés ou des panneaux de conduit isolés entre la (les) grille(s) d'échappement ou d'alimentation et le ventilateur.

- Avant d'installer la canalisation, assurez-vous que les cordons à 2 broches et 3 broches de connexion rapide du moteur du ventilateur sont branchés dans le logement correspondant situé sur le couvercle du compartiment de fil intérieur. Ces cordons ne s'adaptent que dans un sens dans les récipients (Figure 4).



- Connectez le conduit au collet de conduit du ventilateur (Figure 5). Scellez les conduits au logement avec du ruban approprié. Utilisez des vis (de conduit rectangulaire) ou des colliers (de conduit circulaire) pour fixer en place. Ne laissez pas les vis interférer avec le fonctionnement de l'amortisseur. Canailisez toujours le ventilateur à l'extérieur par le mur ou un évent de toiture. Il est recommandé d'utiliser des raccords de terminaison à faible restriction.



## SECTION 6

### Câblage



**ATTENTION :** VOUS ASSURER QUE L'ALIMENTATION EST COUPÉE AU PANNEAU DE SERVICE AVANT DE COMMENCER L'INSTALLATION.



**ATTENTION :** TOUTES LES CONNEXIONS DOIVENT ÊTRE FAITES EN CONFORMITÉ AVEC LES CODES ÉLECTRIQUES LOCAUX OU NATIONAUX. SI VOUS N'ÊTES PAS FAMILIER AVEC LES MÉTHODES D'INSTALLATION DE CÂBLAGE ÉLECTRIQUE, RECOURREZ AUX SERVICES D'UN ÉLECTRICIEN QUALIFIÉ.

**REMARQUE :** cette unité possède un panneau d'accès latéral pour le câblage qui ne requiert pas l'enlèvement de l'assemblage de la soufflante du ventilateur.

- Enlever le vis du couvercle du compartiment à câblage et mettre ce couvercle dans un endroit fiable (Figure 6).

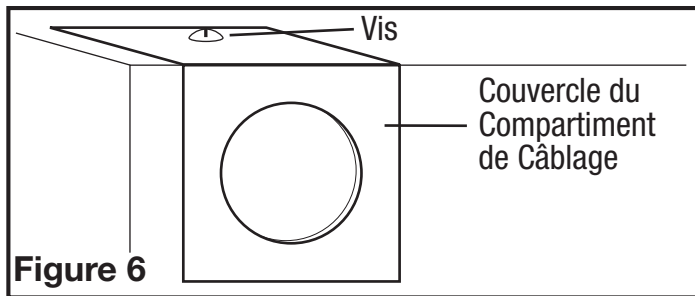


Figure 6

2. **Ventilation continue:** Pour les ventilateurs à deux vitesses, raccordés pour une ventilation continue. Connectez le fil blanc du ventilateur au fil blanc (neutre) de la source d'alimentation. Connectez le fil de terre de la maison au fil vert du boîtier du ventilateur. Connectez le fil noir du ventilateur au fil noir (chaud) de la source d'alimentation. Utilisez un interrupteur à bascule standard duplex, correctement mis à terre, pour relier le fil jaune chaud du ventilateur à l'entrée de l'interrupteur. Connectez le deuxième fil jaune du ventilateur au côté de sortie du commutateur. Fermer l'interrupteur changera la vitesse de normale à haute vitesse (Figure 7). Utiliser des méthodes approuvées pour toutes les connexions.

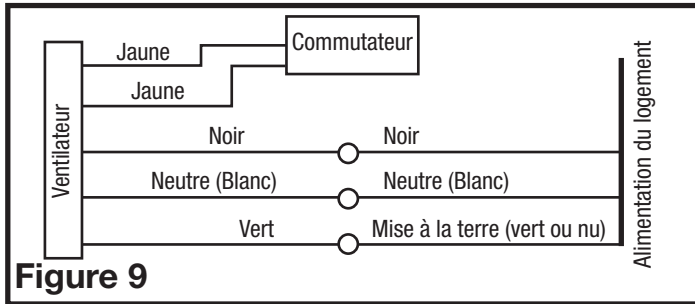


Figure 9

3. **Ventilation intermittente:** Pour les ventilateurs à deux vitesses, raccordés pour une ventilation intermittente avec un interrupteur à bascule duplex standard (comme Leviton 5224 -2W non inclus). Connectez le fil blanc du ventilateur au fil blanc (neutre) de la source d'alimentation. Connectez le fil de terre du ventilateur au fil de terre de la source d'alimentation. Mettez à terre les interrupteurs correctement. Connectez le fil noir de la source d'alimentation à un côté de l'interrupteur. Connectez le fil noir du ventilateur à l'autre côté de l'interrupteur. Connectez 1 fil jaune du ventilateur à chaque côté de l'interrupteur. Le commutateur avec les connexions noires met le ventilateur en marche et arrêt. Le commutateur avec les connexions jaunes change la vitesse entre haute et basse (Figure 8). Utiliser des méthodes approuvées pour toutes les connexions.

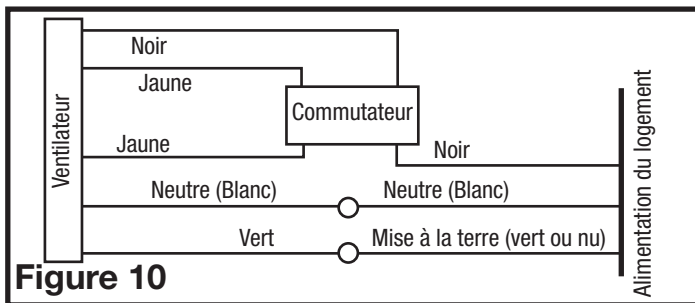


Figure 10

3. Regrouper soigneusement les fils à l'intérieur du compartiment pour le raccordement et replacer le couvercle du compartiment en le fixant avec la vis qui fut enlevée précédemment.

## SECTION 7

### Complétion de l'installation

**REMARQUE :** Lorsque le ventilateur est monté en ligne et aucune pénétration n'est faite dans des espaces non conditionnés, il n'est pas nécessaire d'utiliser un scellant approprié pour le contact avec les matériaux de construction présents et pour les exigences de température

## Guide de dépannage

Trouble	Cause Possible	Solution Suggérée
1. Le ventilateur ne fonctionne pas lorsque l'interrupteur est à la position en marche.	1a. Un fusible peut être grillé ou un disjoncteur peut être déclenché. 1b. La fiche de raccord du moteur n'est pas connectée. 1c. Le câblage n'est pas raccordé correctement. 1d. La moteur est terminée	1a. Remplacer le fusible ou réinitialiser le disjoncteur. 1b. Couper l'alimentation à l'unité. Retirer la grille et brancher le moteur dans le réceptacle dans le cabinet. Remettre l'alimentation sur l'unité. 1c. Couper l'alimentation de l'unité. Vérifier que tous les fils sont raccordés. 1d. Remplacez la moteur
2. Le ventilateur fonctionne, mais l'air circule plus lentement que la normale.	2. Obstruction dans les conduits d'évacuation.	2. Vérifier pour toute obstruction dans les conduits. Les plus courantes sont des nids d'oiseau dans le chapeau de toit ou mural là où le ventilateur s'évacue vers l'extérieur.
3. Le ventilateur fonctionne de manière plus bruyante que la normale.	3a. Le moteur est lâche. 3b. L'hélice du ventilateur frotte contre le cabinet de l'unité.	3a. Couper l'alimentation à l'unité. Retirer la grille et vérifier que toutes les vis sont complètement serrées. Remettre l'alimentation sur l'unité. 3b. Appeler votre marchand pour un service.

de l'installation pour prévenir les fuites d'air des espaces non conditionnés. Aucun matériel supplémentaire (tige de support, matériau du plafond) n'est nécessaire.

**REMARQUE :** Ce ventilateur est conçu pour le contact d'isolation directe (type IC). Il est aussi recommandé que ce ventilateur soit complètement recouvert par l'isolation afin de réduire la perte de chaleur ou de gagner de l'espace inconditionné.

1. Restaurer l'alimentation et tester votre installation.

## SECTION 8

### Panneau d'accès

1. Cet appareil comprend un panneau d'accès à charnière. Cela permet d'accéder à l'intérieur du ventilateur une fois installé. Pour accéder à l'intérieur, dévisser les vis qui maintiennent le panneau en place (Figure 9).

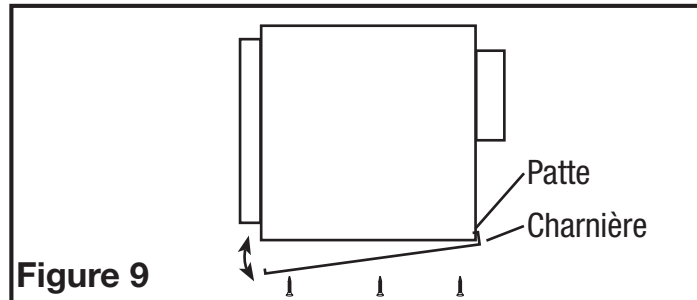


Figure 9

2. Réinstallez le panneau d'accès en vous assurant que les pattes sont insérées dans les fentes sur le boîtier et faites pivoter le panneau arrière vers le boîtier. Remettez le panneau en utilisant les vis retirées à l'étape 1.

## SECTION 9

### Activation de la vitesse d'impulsion

Si votre appareil est équipé d'une vitesse de suralimentation, et il est déterminé qu'un flux supplémentaire est nécessaire en raison de la résistance excessive des conduits ou d'autres conditions, activez la vitesse de suralimentation par :

1. Trouvez le harnais à deux fils du moteur du ventilateur au condensateur.
2. Débranchez le faisceau du condensateur au niveau du raccord de connexion rapide et retirez «l'étiquette d'impulsion» du raccord de connexion rapide sur le condensateur d'amplification.
3. Branchez le harnais du moteur dans le condensateur d'amplification.

## SECTION 10

### Utilisation et entretien



**ATTENTION :** VOUS ASSURER QUE L'ALIMENTATION EST COUPÉE AU PANNEAU DE SERVICE AVANT DE COMMENCER L'INSTALLATION.

1. **Nettoyage de l'assemblage du ventilateur :** Nettoyer toutes les parties à l'aide d'un chiffon sec ou passer délicatement l'aspirateur sur le ventilateur. NE JAMAIS IMMERGER LES PARTIES ÉLECTRIQUES DANS L'EAU.

### RÉSIDENTS DE LA CALIFORNIE UNIQUEMENT :



**AVERTISSEMENT :** CE PRODUIT PEUT VOUS EXPOSER À UN PRODUIT CHIMIQUE [OU À DES PRODUITS CHIMIQUES] CONNU(S) PAR L'ÉTAT DE LA CALIFORNIE POUR CAUSER LE CANCER.



**AVERTISSEMENT :** CE PRODUIT PEUT VOUS EXPOSER À UN PRODUIT CHIMIQUE [OU À DES PRODUITS CHIMIQUES] CONNU(S) PAR L'ÉTAT DE LA CALIFORNIE POUR CAUSER LA TOXICITÉ ENVERS LES FONCTIONS DE LA REPRODUCTION.

# GARANTIE LIMITÉE

**QUE COUVRE CETTE GARANTIE :** Ce produit est garanti contre tout vice de fabrication ou de matière.

**COMBIEN DE TEMPS CETTE GARANTIE DURE :** Cette garantie se rapporte seulement à l'acheteur original du produit et dure pendant cinq (5) années de la date de l'achat original ou jusqu'à ce que l'acheteur original du produit vend ou transfère le produit, celui qui se produit en premier.

**QUE FERA AIR KING :** Au cours de la période de garantie, Air King, à son choix, réparera ou remplacera n'importe quelle partie ou pièces qui s'avèrent défectueuses ou remplacera le produit entier par le même modèle ou un modèle comparable.

**CE QUE CETTE GARANTIE NE COUVRE PAS :** Cette garantie ne s'applique pas si le produit était endommagé ou arrête de fonctionner en raison d'un accident, d'une mauvaise manipulation ou opération, de dommages d'expédition, d'abus, de mauvaise utilisation, de réparation faite ou tentées non autorisées. Cette garantie ne couvre pas les coûts d'expédition pour le retour des produits à Air King pour la réparation ou le remplacement. Air King payera les frais d'expédition de retour de Air King après les réparations ou le remplacement de garantie.

**TOUTES LES GARANTIES, EXPRESSES OU TACITES (COMPRENANT, SANS LIMITATION, TOUTE GARANTIE TACITE DE VALEUR MARCHANDE), DURENT CINQ ANNÉES DE LA DATE DE L'ACHAT ORIGINAL OU JUSQU'À CE QUE L'ACHETEUR ORIGINAL DU PRODUIT VEND OU TRANSFÈRE LE PRODUIT, CELUI QUI SE PRODUIT EN PREMIER ET DANS AUCUN CAS AIR KING N'ASSUME AUCUNE RESPONSABILITÉ EXPRESSE OU TACITE POUR (I) DES DOMMAGES ACCIDENTELS OU INDIRECTS DE N'IMPORTE QUELLE CAUSE, OU (II) LE REMPLACEMENT OU LA RÉPARATION DE TOUS FUSIBLES, DISJONCTEURS OU RÉCEPTACLES DE MAISON. MALGRÉ N'IMPORTE QUOI À L'EFFET CONTRAIRE, DANS AUCUN CAS LA RESPONSABILITÉ D'AIR KING, SOUS UNE GARANTIE EXPRESSE OU TACITE, NE DÉPASSERA LE PRIX D'ACHAT DU PRODUIT ET UNE TELLE RESPONSABILITÉ SE TERMINERA AVEC L'EXPIRATION DE LA PÉRIODE DE GARANTIE.**

Certains états et provinces ne permettent pas les limitations de la période de garantie, ou l'exclusion ou la restriction des dommages accidentels ou indirects, et, par conséquent, les présentes restrictions ne peuvent pas s'appliquer. La présente garantie vous donne des droits légaux spécifiques et peut-être certains autres droits qui peuvent varier selon la province. La preuve d'achat est exigée avant qu'une réclamation de garantie ne soit acceptée.

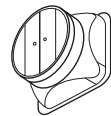
## SERVICE À LA CLIENTÈLE :

Sans frais (800) 465-7300

Notre équipe de service à la clientèle est disponible pour vous aider avec des questions sur le produit, les adresses des centres de service, et les pièces de rechange. Vous pouvez la rejoindre, du lundi au vendredi, de 8h:00 à 16h:00 HNE. Veuillez avoir le numéro du modèle disponible, ainsi que le genre et le style (qui se trouvent sur l'étiquette à l'intérieur de votre produit). Veuillez ne pas renvoyer le produit à l'endroit de l'achat.

[www.airkinglimited.com](http://www.airkinglimited.com)

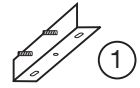
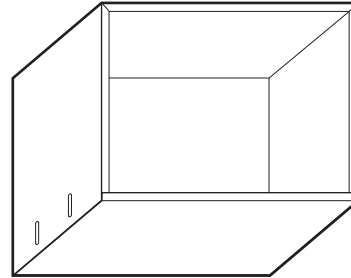
**IL SE PEUT QUE LES PIÈCES POUR LES PRODUITS DISCONTINUÉS, OBSOLÈTES ET AUTRES PRODUITS NE SOIENT PAS DISPONIBLES. POUR DES RAISONS DE SÛRETÉ, BEAUCOUP DE COMPOSANTS ÉLECTRONIQUES ET LA PLUPART DES COMPOSANTS DES CHAUFFAGES NE SONT PAS À LA DISPOSITION DES CONSOMMATEURS POUR L'INSTALLATION OU LE REMPLACEMENT.**



2

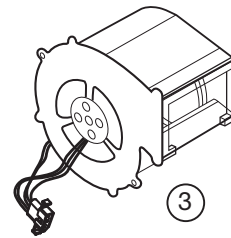


1

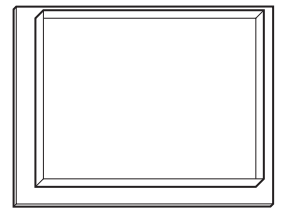


1

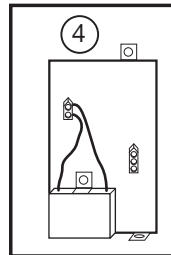
#	Qté.	Description	# de pièce de remplacement
1	2	Supports de montage	5S1249004
2	1	Assemblée de collier	5S5299100
3	1	Assemblée de la soufflante	5S1239122
4	1	Assemblée du compartiment du fil	5S1253104
5	1	Adaptateur de conduit	5S1249008



3



5



4

Installateur : \_\_\_\_\_

Date d'installation : \_\_\_\_\_

Endroit de l'achat : \_\_\_\_\_

Numéro de modèle : \_\_\_\_\_