

# MERCURY by AGA

## 48" Dual Fuel Range AMC48DF



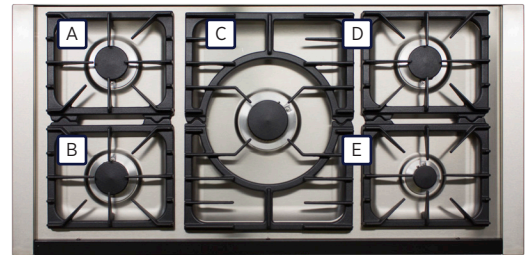
### Oven Features

- Over 6 cubic feet of oven space amongst 3 separate ovens maximize space and reduce energy consumption
- One extra-large 7-Mode Multi-Function™ Oven (left oven) tailored to your cooking needs with Defrost, Convection, Convection Broiling, Fan Assist Bake, Conventional, Browning and Base Heat
- A second extra-large true European convection oven (right oven)
- Each large oven has 5 rack positions; the range comes with 4 heavy duty steel racks and one telescoping steel rack for a total of 5 oven racks
- Powerful dual-element broiler with an 8-pass, 2,300 watt broiler – ready to cook in just 5 minutes
- Glide Out Broiler System™ with Full Broil and Half Broil mode to provide complete coverage with 4 adjustable heights and extendable gliding tray spacious enough to cook six 6-oz steaks at once
- 9 eye-catching Hi-Fi Style Controls deliver precise power to each burner and oven with stereo-like grace
- Spacious storage drawer with rubber mat to protect and store your cookware
- EasyClean™ Technology with black enamel interior



### Cooktop Features

- Natural Gas cooktop with 5 sealed brass burners each topped with a porcelain enamel finish cast iron flame spreader to provide superb heat distribution and retention
- One center 17,000 BTU brass burner, three 12,000 BTU brass burners and one 6,000 BTU brass burner
- Extra-large 11.75" diameter burner rated 17,000 BTUs perfect for rapid boiling, large stock pots and stir fry
- 6 interlocking matte finish cast iron grates allow for easy removal and cleaning
- Includes an 11" diameter wok ring made of semi-gloss black enamel coated cast iron to cradle a large wok (not included) on the center burner keeping the wok at the perfect height for focused heat distribution
- Extra-large two-piece interlocking center grate
- Four grates interlock above each side burner providing ample space for any pan
- LP Conversion Kit included



A: 12,000 / 2,400 BTU  
 B: 12,000 / 2,400 BTU  
 C: 17,000 / 3,400 BTU  
 D: 12,000 / 2,400 BTU  
 E: 6,000 / 1,200 BTU



AMC48DF-SKY  
Midnight Sky



AMC48DF-BLK  
Gloss Black



AMC48DF-MBL  
Matte Black



AMC48DF-IVY  
Ivory



AMC48DF-WHT  
White



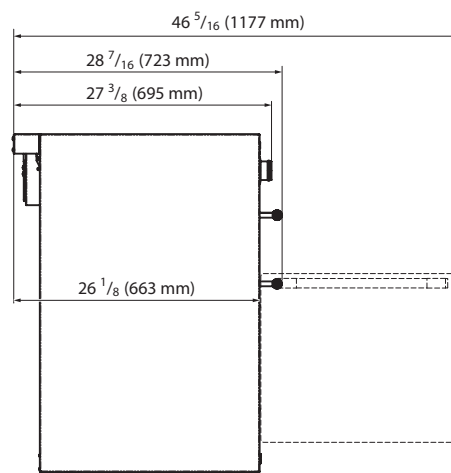
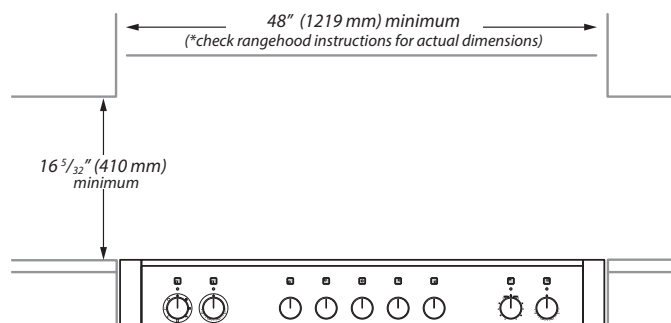
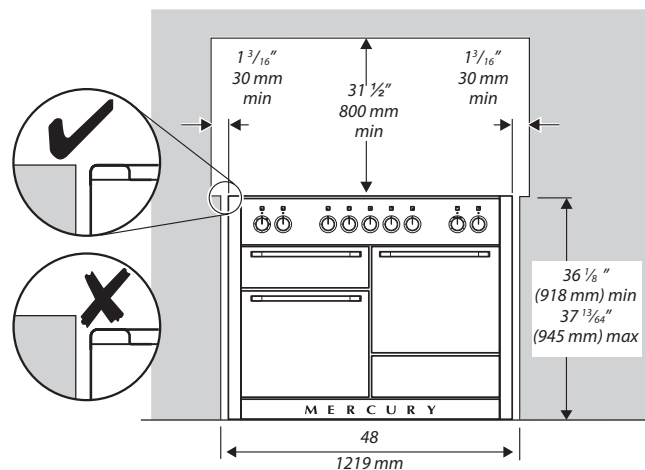
AMC48DF-SS  
Stainless Steel

# MERCURY 48" Dual Fuel Range

by **AGA** AMC48DF

General Properties	
Oven Capacity	6 cu. ft.
Cooking Mode Main Cavity - Right side	Convection Bake 2.8 cu. ft. (17" W x 14" D x 14 1/2" H*)
Cooking Mode Second Cavity - Left side	Multi-function Oven with 7 Cooking Modes 2.8 cu. ft. (17" W x 14" D x 14 1/2" H*)
Cooking Mode Third Cavity - Broiler	Dual-element with 8-pass 2,300W 0.5 cu. ft.
Cleaning Type	EasyClean™ Enamel
Controls	Knobs on fascia
Sealed Burners	Yes
Oven Performance	
Main Cavity - Right side	2,500W
Second Cavity - Left side	2,500W
Third Cavity - Broiler	2,300W
Broiler Type	8 Pass Radiant Heat
Cooktop Performance	
Cooktop Dimensions	43" W x 21 1/2" D
Number of Brass Burners	5
Power of Left Front Burner	12,000 BTU High; 2,400 BTU Low
Power of Back Left Burner BTU	12,000 BTU High; 2,400 BTU Low
Power of Center Burner BTU	17,000 BTU High; 3,400 BTU Low
Power of Front Right Burner BTU	6,000 BTU High; 1,200 BTU Low
Power of Back Right Burner BTU	12,000 BTU High; 2,400 BTU Low
Electrical Details	
Circuit Breaker (A)	40A
Volts (V)	240V
Frequency (Hz)	60Hz
Plug Type	4 Wire
Power Cord Length	48"
Energy Source	Electric Ovens and Gas Cooktop
Gas Type	Natural Gas with LP Conversion Kit included
Alternative Gas Type	Liquid Propane
Dimensions & Weights	
Appliance Dimensions	47 9/16" W x 28 7/16" D x 36 1/8" H
Depth with Door Open	46 1/8"
Weight	357 lbs.
Shipping Weight	390 lbs.
Package Dimensions	49 1/4" W x 31" D x 46 1/2" H

\*Usable Space



Accessories Included	
1 Enameled broiler pan	1 - Cast iron wok ring
1 Broiler pan insert	1 - LP conversion kit
1 Storage drawer mat	
Warranty	
1 Year Warranty, Entire Appliance, Parts and Labor	