

Elise

by **AGA**

36" Dual Fuel Range AEL36DF

Add sophistication and “savoir vivre” to your kitchen design with the panache and Provencal style of the AGA Elise Dual Fuel Range. Much more than alluring looks, the Elise offers powerful and dynamic cooking performance, making it the choice range for gourmets and designers alike.

Oven Features

Multifunction oven with 7 settings including true European dual-convection cooking, fan-assisted baking, browning, thaw & serve, convection broiling, warming and conventional cooking

- Large 4.5 cu. ft. oven
- Three robust telescopic glide-out racks
- Dual broiler system

Includes cookware accessories

- Two roasting tins nest into the shelf and slide out with ease
- A full-width broiler pan and trivet easily adjusts on oven runners and is great for broiling and grilling large batches

Cooktop Features

5 sealed brass burners provide for easy clean-up and prevent messy spills from reaching the oven or internal components

- Powerful 17,000 BTU center burner is ideal for rapid boiling, wok cooking and large pots
- Three 12,000 BTU burners
- One 6,000 BTU burner can be turned down to a low 1,200 BTU simmer
- Each burner is equipped with thermocouple safety mechanism

Continuous cast iron cooktop to smoothly slide cookware across burners without spillage

- Locking mechanism secures grates in place during cooking
- Grates are easy to remove for cleaning
- Matte finish cast iron grates are easy to clean and won't discolor

Dignified brushed-metal control knobs

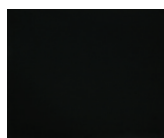
Convenient storage drawer stores cookware and even oven racks



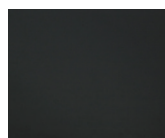
A: 12,000 / 2,400 BTU
 B: 12,000 / 2,400 BTU
 C: 17,000 / 3,400 BTU
 D: 12,000 / 2,400 BTU
 E: 6,000 / 1,200 BTU



AEL36DF-SKY
Midnight Sky



AEL36DF-BLK
Gloss Black



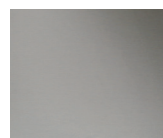
AEL36DF-MBL
Matte Black



AEL36DF-IVY
Ivory



AEL36DF-WHT
White



AEL36DF-SS
Stainless Steel

Elise 36" Dual Fuel Range

by **AGA** AEL36DF

General Properties	
Total Oven Capacity	4.5 cu. ft.
Usable Oven Space	28" W x 14" D x 14 1/2" H
Cooking Mode	Multi-function Oven with 7 Cooking Modes
Cleaning Type	EasyClean™ Enamel
Controls	Knobs on fascia
Sealed Burners	Yes

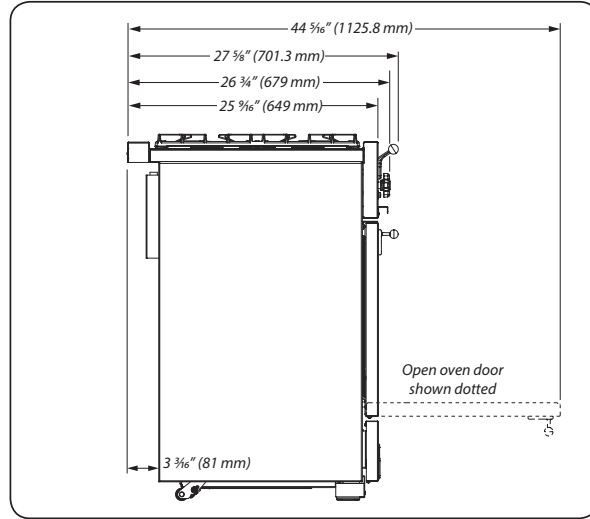
Cooktop Performance	
Cooktop Dimensions	35 1/2" W x 21 3/5" D
Number of Brass Burners	5
Power of Left Front Burner	12,000 BTU High; 2,400 BTU Low
Power of Back Left Burner BTU	12,000 BTU High; 2,400 BTU Low
Power of Center Burner BTU	17,000 BTU High; 3,400 BTU Low
Power of Front Right Burner BTU	6,000 BTU High; 1,200 BTU Low
Power of Back Right Burner BTU	12,000 BTU High; 2,400 BTU Low

Electrical Details	
Circuit Breaker (A)	20A
Volts (V)	240V
Frequency (Hz)	60Hz
Plug Type	4-prong NEMA 14-50P
Power Cord Length	50"
Energy Source	Electric Oven and Gas Cooktop
Gas Type	Natural Gas with LP Conversion Kit included
Alternative Gas Type	Liquid Propane

Dimensions & Weights	
Appliance Dimensions	35 1/2" W x 27 5/8" D x 36" H
Depth with Door Open	44 5/16"
Weight	306 lbs.
Shipping Weight	390 lbs.
Package Dimensions	49 1/4" W x 31" D x 46 1/2" H

Accessories Included	
2 roasting tins 1 adjustable full-width broiler pan with trivet	1 - LP conversion kit

Warranty	
1 Year Warranty, Entire Appliance, Parts and Labor	



Installation Clearance Dimensions	
A - Gap between side of appliance and adjacent vertical surface ABOVE cooktop level	4 1/2"
B - Gap between side of appliance and adjacent vertical surface BELOW cooktop level	3/16" (U.S.) 1/2" (Canada)
C - Gap between cooktop level and any horizontal combustible surface	31 1/2"
D - Maximum depth of cabinets installed above the top surface cooking sections	13"
E - Minimum distance between horizontal surfaces less than dimension C	35 1/2" (U.S.) 36 3/8" (Canada)
F - Minimum distance between horizontal cabinets and worktop surfaces adjacent to range	18"

For complete installation instructions, visit aga-ranges.com

