



# STAINLESS STEEL UTILITY SHELF



8" Wide



K-245 Shown

Model #	Width	Length
K-245	8"	24"
K-246	8"	36"

Item #: \_\_\_\_\_ Qty #: \_\_\_\_\_  
 Model #: \_\_\_\_\_  
 Project #: \_\_\_\_\_

**FEATURES:**

Furnished with Mop Hangers and Hooks for hanging rags.  
 Both rag hooks and mop hangers are spot welded to shelf.

**CONSTRUCTION:**

Shelf and brackets are die formed.

**MATERIAL:**

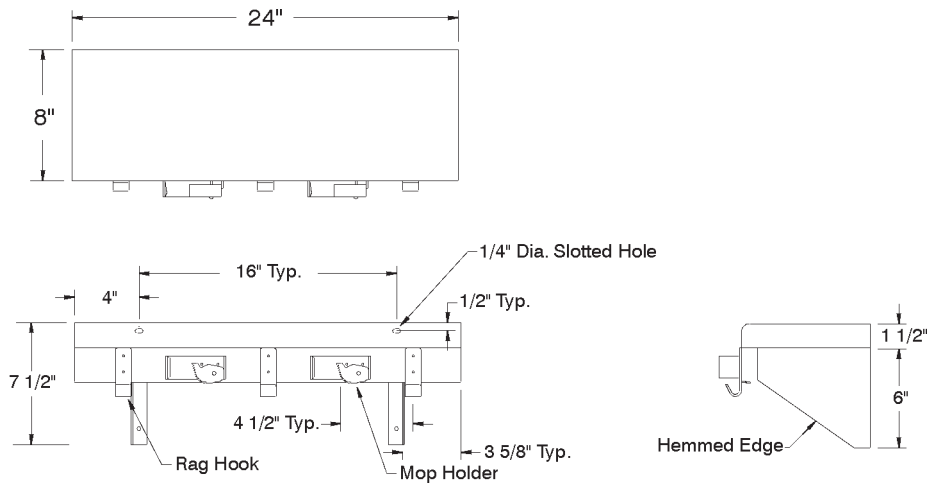
18 gauge stainless steel type "430" polished to a satin finish.

## DETAILS and SPECIFICATIONS

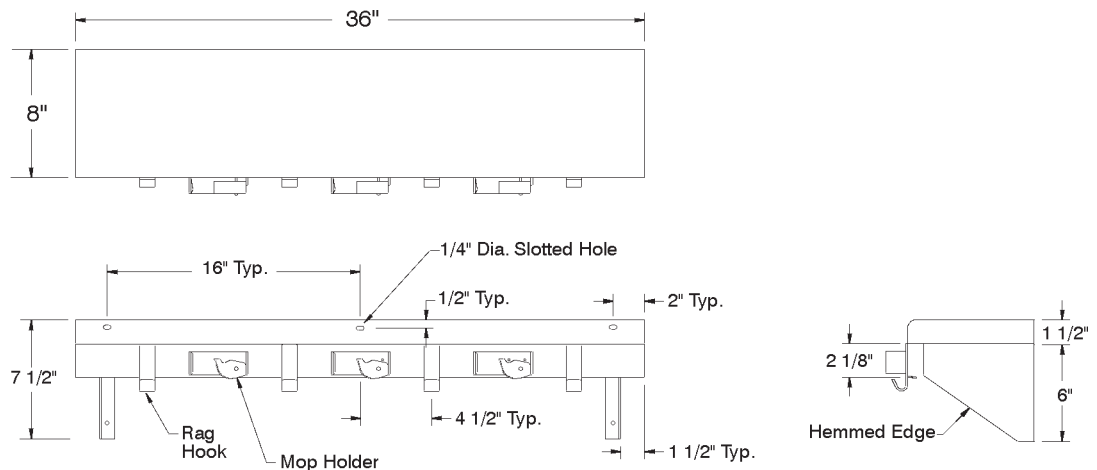
TOL ± .500"

ALL DIMENSIONS ARE TYPICAL

K-245



K-246



Customer Service Available To Assist You 1-800-645-3166 8:30 am - 7:00 pm E.S.T.

For Orders & Customer Service:

Email: [customer@advancetabco.com](mailto:customer@advancetabco.com) or Fax: 631-242-6900

For Smart Fabrication™ Quotes:

Email: [smartfab@advancetabco.com](mailto:smartfab@advancetabco.com) or Fax: 631-586-2933