



Faucet Not Included

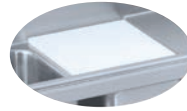
**93 & 9 SERIES**  
Welded Side Cross-Bracing



**94 SERIES**  
Welded Side & Adjustable Front & Rear Cross-Bracing

STAINLESS STEEL  
**REGALINE SINKS**  
**One Compartment - One Drainboard**  
(Specify Drainboard Location)

Item #: \_\_\_\_\_ Qty #: \_\_\_\_\_  
Model #: \_\_\_\_\_  
Project #: \_\_\_\_\_



Recessed Bowl Surface  
Accommodates  
Poly-Vance Cutting Boards  
& Sink Covers



**YES! It's SeaLess!**

**FEATURES:**

- Tile edge for ease of installation.
- One piece **Deep Drawn** sink bowls with integral drainboards with splash.
- Featuring the single bowl unit design.
- All sink bowls have a large liberal 3" radius.
- Placement of the welded leg assembly ensures stability and furnishes direct support of the column load requirement for the entire sink unit.
- "94" Series is supplied with adjustable front and rear cross brace featuring leg clamps to secure left to right cross bracing.

**CONSTRUCTION:**

- All TIG welded.
- Welded areas blended to match adjacent surfaces and to a satin finish.
- Gussets welded to a die-embossed reinforcing channel.

**MATERIALS:**

- Spec-Line (94 Series):** 14 gauge type 304 stainless steel 11" High Splash.
- Standard (93 Series):** 16 gauge type 304 stainless steel 8" High Splash.
- Super Saver (9 Series):** 18 gauge type 304 stainless steel 8" High Splash.

- LEGS:**
- 1 5/8" diameter tubular stainless steel.
  - Stainless steel gussets & channels.
  - Stainless Steel 1" adjustable bullet feet.

Bowl Size	O.A. Length	DRBD. Size	SPEC-LINE 94 Series		STANDARD 93 Series		SUPER SAVER 9 Series		Cu. Ft.
			Model #	WT.	Model #	WT.	Model #	WT.	
<b>16" x 20"</b>	40"	18"	<b>14 Ga. 304 S/S</b> 14" Water Level		<b>16 Ga. 304 S/S</b> 12" Water Level		<b>18 Ga. 304 S/S</b> 12" Water Level		
	46"	24"	94-1-24-18R or L	93 lbs.	93-1-24-18R or L	75 lbs.	9-1-24-18R or L	65 lbs.	20
	58"	36"*	94-1-24-24R or L	98 lbs.	93-1-24-24R or L	80 lbs.	9-1-24-24R or L	73 lbs.	24
<b>20" x 20"</b>	44"	18"	94-1-24-36R or L	114 lbs.	93-1-24-36R or L	90 lbs.	9-1-24-36R or L	78 lbs.	26
	50"	24"	94-21-20-18R or L	98 lbs.	93-21-20-18R or L	80 lbs.	9-21-20-18R or L	71 lbs.	20
	62"	36"*	94-21-20-24R or L	104 lbs.	93-21-20-24R or L	86 lbs.	9-21-20-24R or L	77 lbs.	27
<b>18" x 24"</b>	54"	24"	94-21-20-36R or L	127 lbs.	93-21-20-36R or L	107 lbs.	9-21-20-36R or L	91 lbs.	31
	42"	18"	94-61-18-18R or L	100 lbs.	93-61-18-18R or L	84 lbs.	9-61-18-18R or L	75 lbs.	24
	48"	24"	94-61-18-24R or L	106 lbs.	93-61-18-24R or L	92 lbs.	9-61-18-24R or L	84 lbs.	27
<b>24" x 24"</b>	60"	36"*	94-61-18-36R or L	130 lbs.	93-61-18-36R or L	109 lbs.	9-61-18-36R or L	95 lbs.	38
	54"	24"	94-41-24-24R or L	126 lbs.	93-41-24-24R or L	105 lbs.	9-41-24-24R or L	92 lbs.	28
	66"	36"*	94-41-24-36R or L	149 lbs.	93-41-24-36R or L	126 lbs.	9-41-24-36R or L	110 lbs.	42
<b>20" x 28"</b>	44"	18"	94-81-20-18R or L	139 lbs.	93-81-20-18R or L	116 lbs.	9-81-20-18R or L	107 lbs.	36
	50"	24"	94-81-20-24R or L	146 lbs.	93-81-20-24R or L	122 lbs.	9-81-20-24R or L	113 lbs.	46
	62"	36"*	94-81-20-36R or L	170 lbs.	93-81-20-36R or L	142 lbs.	9-81-20-36R or L	133 lbs.	54
* Regalines with 36" Drainboards are Supplied with Two Additional Legs for Support.			14" Water Level 17" Flood Level		12" Water Level 15" Flood Level		12" Water Level 15" Flood Level		

Weights & Cubes Are Approximate



Customer Service Available To Assist You **1-800-645-3166** 8:30 am - 7:00 pm E.S.T.

For Orders & Customer Service:  
Email: customer@advancetabco.com or Fax: 631-242-6900

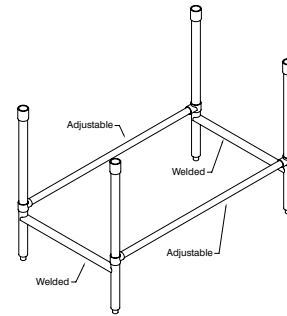
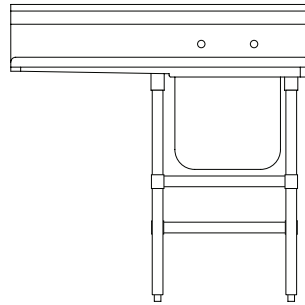
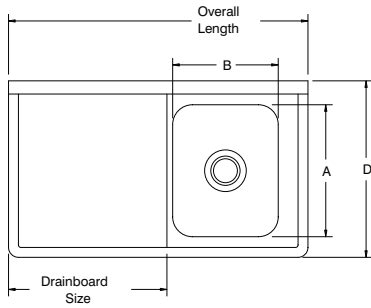
For Smart Fabrication™ Quotes:  
Email: smartfab@advancetabco.com or Fax: 631-586-2933

# DIMENSIONS and SPECIFICATIONS

TOL Overall: ± .500"  
Interior: ± .250"

ALL DIMENSIONS ARE TYPICAL

(SPECIFY DRAINBOARD LOCATION)



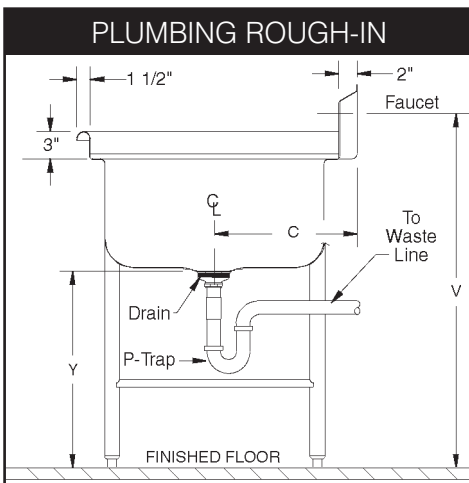
(Left hand Drainboard Shown)

94 Series Includes front & Rear Adjustable Cross Bracing (Shown Above)

## DESCRIPTION

BOWL (SIZE)	Overall Length	DRBD (SIZE)	Recommended Use					94 SERIES					9 & 93 SERIES				
				A	B	C	D	V	W	X	Y	Z	V	W	X	Y	Z
16x20	40"	18"	DISH SINKS	20"	16"	13 5/8"	27"	38"	11"	14"	20"	45"	38"	8"	12"	22"	42"
	46"	24"															
	58"	*36"															
20x20	44"	18"	DISH & POT SINKS	20"	20"	13 5/8"	27"	38"	11"	14"	20"	45"	38"	8"	12"	22"	42"
	50"	24"															
	62"	*36"															
18x24	42"	18"	POT & PAN SINKS	24"	18"	15 5/8"	31"	38"	11"	14"	20"	45"	38"	8"	12"	22"	42"
	48"	24"															
	60"	*36"															
24x24	54"	24"	POT SINKS	24"	24"	15 5/8"	31"	38"	11"	14"	20"	45"	38"	8"	12"	22"	42"
	66"	*36"															
20x28	44"	18"	PAN SINKS	28"	20"	17 5/8"	35"	38"	11"	14"	20"	45"	38"	8"	12"	22"	42"
	50"	24"															
	62"	*36"															

\* Regalines with 36" Drainboards are Supplied with Two Additional Legs for Support.



## MECHANICAL:

- Supply is 1/2" IPS hot & cold.
- Faucet holes on 8" centers.
- Faucets are not included (**see accessories**).
- Waste drains are 1 1/2" IPS S/S basket type, located in center of sink bowl, and are included.

