

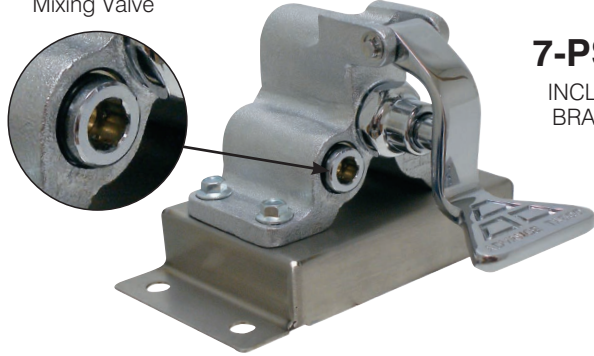


# FOOT PEDAL VALVES

Conforms To NSF 61/9 Lead Free Requirements

Item #: \_\_\_\_\_ Qty #: \_\_\_\_\_  
 Model #: \_\_\_\_\_  
 Project #: \_\_\_\_\_

Adjustable  
Mixing Valve



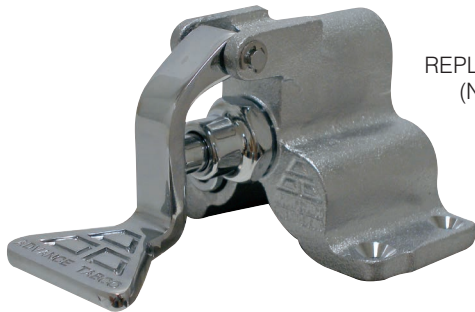
**7-PS-39**  
INCLUDES  
BRACKET

**FEATURES:**

- Foot Actuated Pedal Valve for water operation.
- Hot & Cold water mixture.
- Built-In Check Valves
- Tempering Mixing Valve to adjust water temperature

**MATERIAL:**

**Body:** Chrome Plated Brass  
**Pedal:** Chrome Plated  
**Bracket:** 16 Ga., Type 304 Stainless Steel



**K-103**  
REPLACEMENT ONLY  
(NO BRACKET)

**OPTIONS & REPLACEMENTS**

**Thermostatic  
Mixing Valve  
K-425**



**Replacement  
Bonnet  
K-01**



**NOTE:** Mixing Valve is a Tempering Valve Only.  
Does not meet ASSE 1070 Specs.



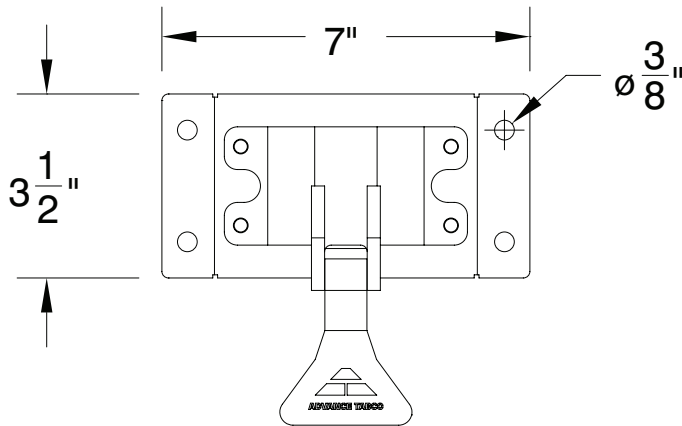
Click This Link To  
View Assembly Sheet



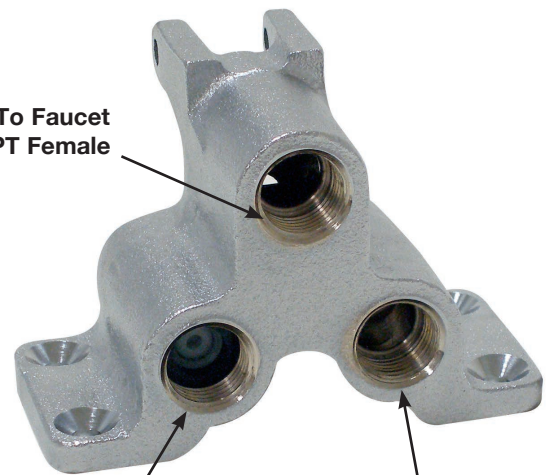
## DIMENSIONS and SPECIFICATIONS

TOL ± .500"

ALL DIMENSIONS ARE TYPICAL

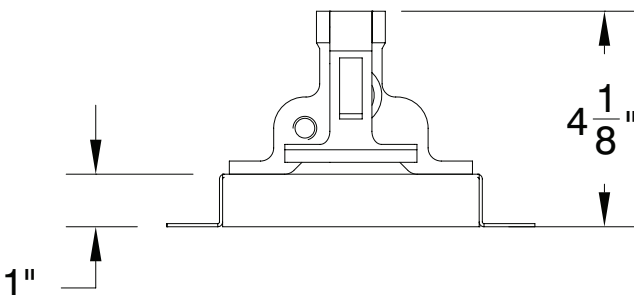


Outlet To Faucet  
3/8" NPT Female



Hot Inlet  
3/8" NPT Female

Cold Inlet  
3/8" NPT Female



**⚠ WARNING:**

Valve on this page may expose you to chemicals, including lead, that are known to the State of California to cause cancer or birth defects or other reproductive harm. For more Info., visit [www.p65warnings.ca.gov](http://www.p65warnings.ca.gov).