



STAINLESS STEEL

ONE COMPARTMENT A.D.A. COMPLIANT WALL MOUNTED SCRUB SINK



SCR-ADA-1

Item #: _____ Qty #: _____
 Model #: _____
 Project #: _____



FEATURES:

- Meets A.D.A. Compliance
- Slanted Front Wall Mount Design
- Coved Corner Bowl Radius
- Fully Enclosed Under Section Conceals Plumbing
- Removable Front Panel
- Supplied with Wall Mounting Bracket
- Includes One K-6 Drain and One K-410 Strainer Plate

CONSTRUCTION:

- All TIG welded.
- Welded areas blended to match adjacent surfaces and to a satin finish.

MATERIAL:

- 16 Gauge, Type 304 Stainless Steel

Model #	Length	Width	Bowl Depth	Wt.	Cu. Ft.
SCR-ADA-1	30"	21"	12 1/2"	125 lbs.	19

RECOMMENDED FAUCETS & OPTIONS



K-185/K-186



TA-14

Model #	Description
K-185	Hands Free Sensor Faucet, A/C Powered w/ Manual Wrist Handle, Rose Spray
K-186	Hands Free Sensor Faucet Battery Powered w/ Manual Wrist Handle, Rose Spray
K-187	Thermostatic Mixing Valve w/ Checks
TA-14	Panel Lock



Customer Service Available To Assist You 1-800-645-3166 8:30 am - 8:00 pm E.S.T.

For Orders & Customer Service:

Email: customer@advancetabco.com or Fax: 631-242-6900

For Smart Fabrication™ Quotes:

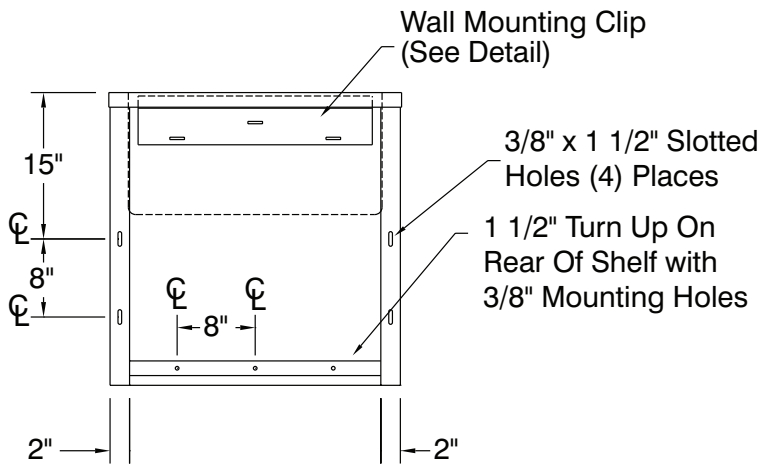
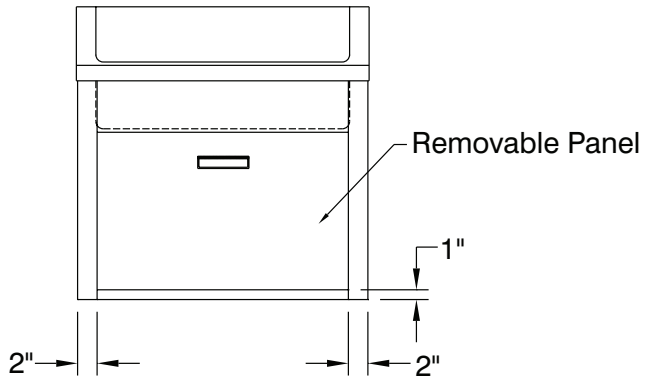
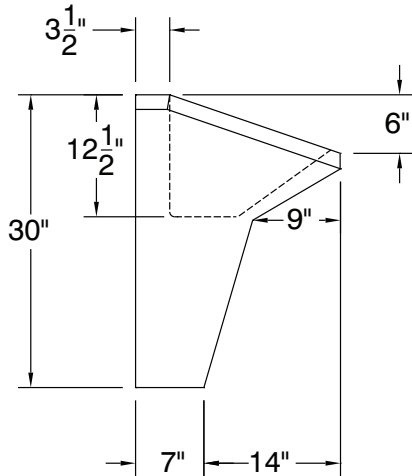
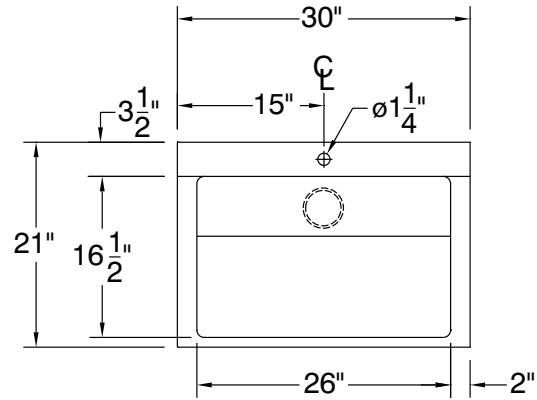
Email: smartfab@advancetabco.com or Fax: 631-586-2933

DIMENSIONS and SPECIFICATIONS

TOL Overall: $\pm .500''$

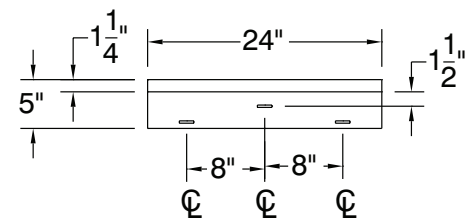
ALL DIMENSIONS ARE TYPICAL

SCR-ADA-1



TYPICAL REAR VIEW

125 lbs.



WALL MOUNTING CLIP DETAIL

