

Hand Sink/Dump Sink Combo Station



Item #: _____ Qty #: _____
 Model #: _____
 Project #: _____

FEATURES:

- Hand Sink:** One piece Deep Drawn 9" x 9" x 4" sink bowl
2" drain with strainer plate
- Dump Sink:** One piece Deep Drawn 10" x 14" x 7" sink bowl
2" drain with strainer plate
- K-125 splash mount swing spout faucet
- 29" working height
- 7" backsplash and side splashes
- Stainless Steel top, apron, sides, legs and adjustable bullet feet
- Upper sink drains into lower sink to help melt ice
- Removable Lower C-Fold style paper towel bin

MATERIAL:

- Sinks:** 20 gauge, 300 stainless steel
- K-125 splash mounted sink faucet, chrome plated brass body, chrome plated handle
- Legs:** 18 ga. 1-5/8" OD with 1" adjustable stainless steel bullet foot

MECHANICAL:

- Sinks:** 1-1/2" IPS drain (connect only lower sink to building drain). Note drain is only 5" off floor when planning connection to building drainage
- Faucet:** Faucet supply is 1/2" IPS male thread hot and cold
- Faucet Flow Rate:** 1.0 GPM/3.8 LPM aerator. 60 PSI
- Drains:** 1-1/2" IPS

Model #	O.A. Size L x W x H	Approx. Weight	Approx. Cu. Ft.
PRDS-25-12	12-3/16" x 25" x 36"	135 lbs.	9

REPLACEMENT PARTS



K-125
6" Splash Mounted Faucet

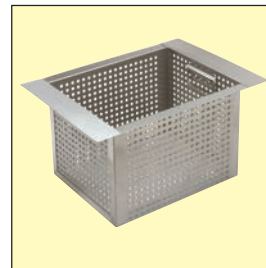


K-12
Deck Mounted Soap Dispenser



K-63
1-1/2" Basket Drain

OPTIONAL



A-16
Perforated Basket
For 10" x 14" x 7" Lower Sink



A-17A
Perforated Basket
For 9" x 9" x 4" Upper Sink

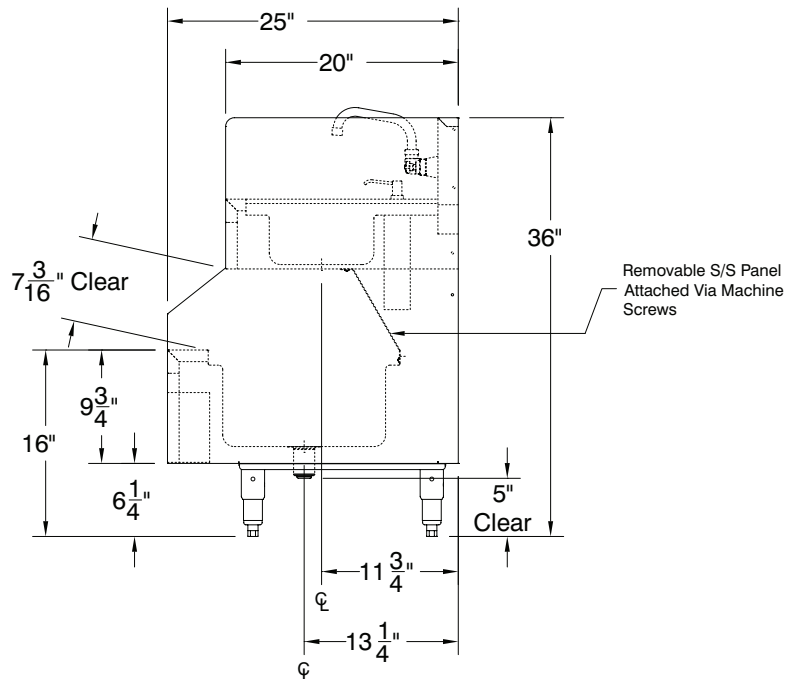
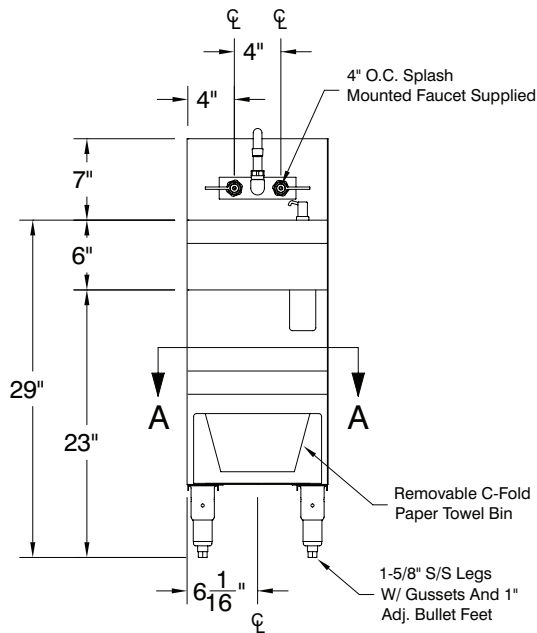
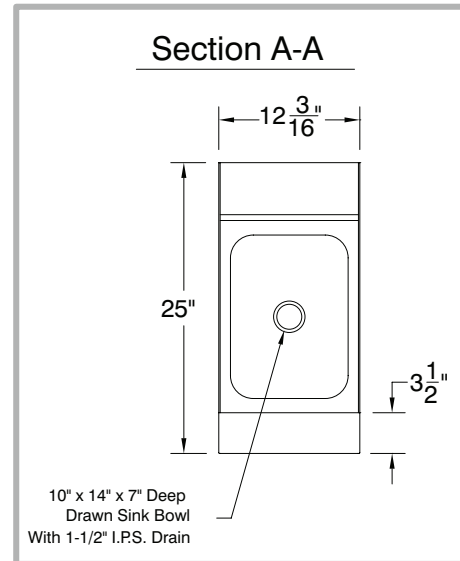
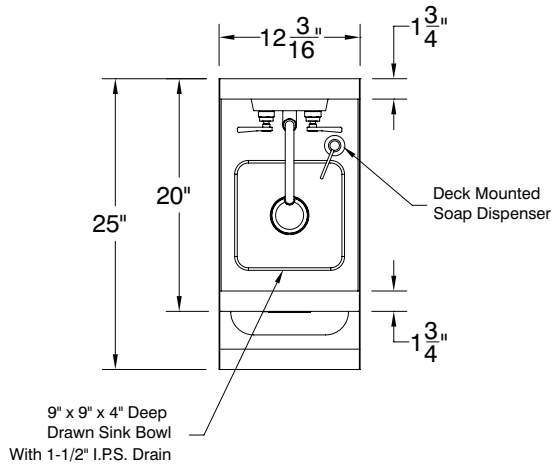
WARNING: Faucets on this page may expose you to chemicals, including lead, that are known to the State of California to cause cancer or birth defects or other reproductive harm. For more Info, visit www.p65warnings.ca.gov.

DIMENSIONS and SPECIFICATIONS

TOL Overall: ± .500" Interior: ± .250"

ALL DIMENSIONS ARE TYPICAL

PRDS-25-12



NOTE: This unit is fractionally larger than a standard 12" wide underbar section. Be sure to allow spacing in your bar lineup.

135 Lbs.

