



14 GAUGE STAINLESS STEEL  
**FLOOR MOUNTED SERVICE SINK  
 WITH TUBULAR LEGS**  
**TOE-PUSH OPERATED**



Foot Valves Included  
 On All "FV" Models

Item #: \_\_\_\_\_ Qty #: \_\_\_\_\_  
 Model #: \_\_\_\_\_  
 Project #: \_\_\_\_\_



**FEATURES:**

- 8 1/2" high backsplash.
- 12" sink bowl depth.
- One stainless steel "Z" bracket supplied each unit.
- One **K-6** 3 1/2" rear basket drain.
- Four tubular stainless steel legs with stainless steel bullet feet.
- One stainless steel support shelf with rear turn-up.
- Toe-Push Operated:** Includes one **K-104** toe-push valve and one **K-121** spout.
- Single hole provided.

**CONSTRUCTION:**

- All TIG welded.
- Welded areas blended to match adjacent surfaces and to a satin finish.
- Die formed tubular wall brackets.

**MATERIAL:**

- All 14 gauge type "304" stainless steel.
- 1 5/8" tubular "304" stainless steel legs.
- Stainless steel gussets.

**MECHANICAL:**

- Single faucet holes.

Model #	L	W	# of Spouts	# of Pedals	Wt.	Cu.Ft.
FS-FM-3119FV	31"	23"	1	1	101 lbs.	23

[Click Here For Install Guide](#)

**MULTI-STATION ACCESSORIES & REPLACEMENT PARTS**

Model	Description	QTY:
<b>K-6</b>	3 1/2" Drain (1 1/2" I.P.S.)	_____
<b>K-06</b>	Splash Mount Faucet Mounting Kit	_____
<b>K-13</b>	Stainless Steel Soap Dispenser (Wall Mount Only)	_____
<b>K-104</b>	Toe-Push Valve Assembly	_____
<b>K-121</b>	Single Hole, Splash Mounted 3-1/2" Gooseneck Spout	_____
<b>K-410</b>	Strainer Plate for 3-1/2" Drain	_____
<b>K-508</b>	Special Sizing Charge ( <i>Larger Size Cut Down To Smaller Size</i> )	_____
<b>TA-19</b>	Adjustable Stainless Steel Flanged Bullet Foot	_____



K-121



K-104



K-13



K-410



K-06

TA-19

= Ships UPS

Standard Faucets conform to NSF 61 Standard 9 and compliance to AB 1953 Standards.

**WARNING:** Equipment that include faucets on this page may contain a chemical known to the State of California to cause cancer, birth defects or other reproductive harm.



Customer Service Available To Assist You **1-800-645-3166** 8:30 am - 7:00 pm E.S.T.

For Orders & Customer Service:

Email: [customer@advancetabco.com](mailto:customer@advancetabco.com) or Fax: 631-242-6900

For Smart Fabrication™ Quotes:

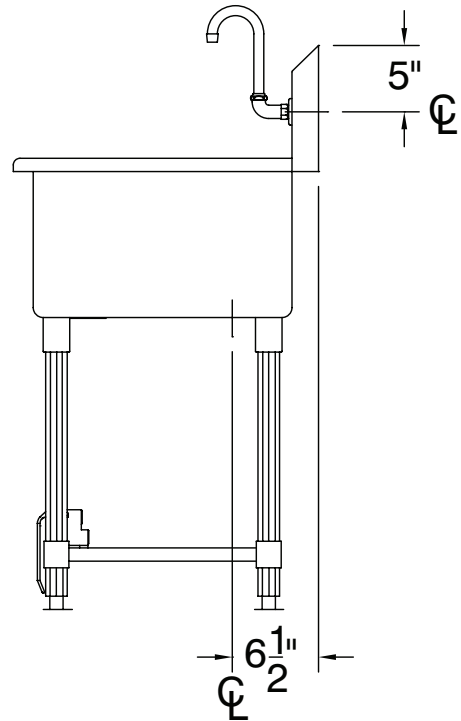
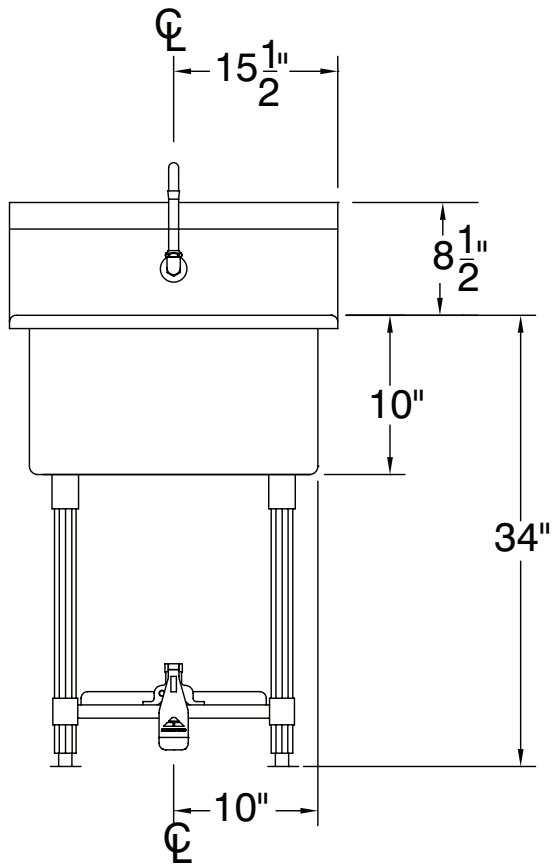
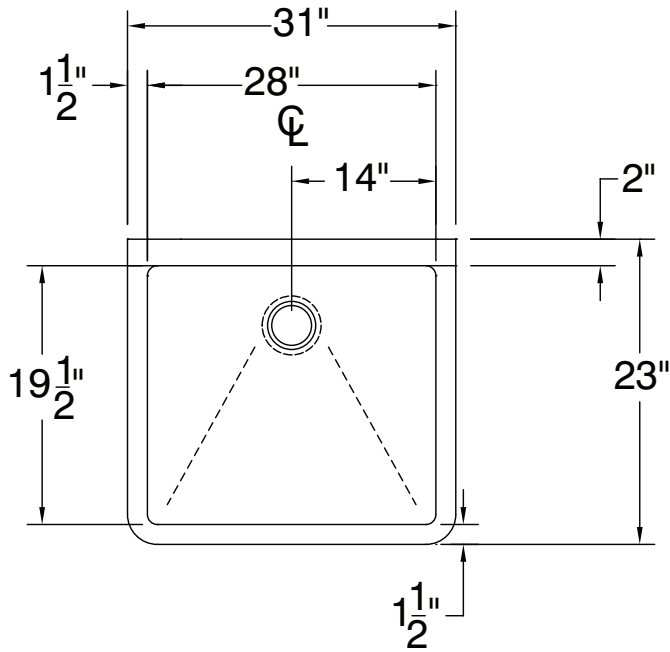
Email: [smartfab@advancetabco.com](mailto:smartfab@advancetabco.com) or Fax: 631-586-2933

# DETAILS and SPECIFICATIONS

TOL ± .500"

ALL DIMENSIONS ARE TYPICAL

FS-FM-3119FV



103 Lbs.

