



16 GAUGE STAINLESS STEEL

ONE STATION A.D.A. WALL MOUNTED REAR-DECK SINK WITH TUBULAR SUPPORTS WITH/WITHOUT MANUAL FAUCETS



Item #: _____ Qty #: _____
 Model #: _____
 Project #: _____



A.D.A. COMPLIANT



FEATURES:

- 8 1/2" high backsplash.
- 5" sink bowl depth.
- Stainless steel "Z" brackets.
- One 3 1/2" rear basket drain.
- Tubular stainless steel support brackets that allow full clearance underneath.
- "-F" Series includes K-134 8 1/2" gooseneck faucets with wrist handles.

CONSTRUCTION:

All TIG welded.
 Welded areas blended to match adjacent surfaces and to a satin finish.

MATERIAL:

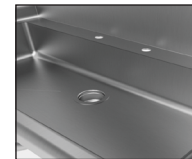
All 16 gauge type "304" stainless steel.
 1 5/8" tubular "304" stainless steel supports.

MECHANICAL:

8" O.C. faucet holes punched in deck at each station.



"-F" Series Sink Includes K-134 Gooseneck Faucet with Wrist Handles



8" O.C. Faucet Holes Provided In The Rear Deck

Model #	Length	# of Faucets Sink Accommodates		Wt.	Cu. Ft.
		# of Faucets Included	(Faucet Not Included)		
FC-WMD-1-ADA	40"	1	0	64 lbs.	22
FC-WMD-1-ADA-F	40"	1	1	66 lbs.	22

[Click Here For Install Guide](#)

MULTI-STATION ACCESSORIES & REPLACEMENT PARTS

Model	Description	QTY:
K-6	3 1/2" Drain (1 1/2" I.P.S.)	_____
K-13	Stainless Steel Soap Dispenser (Wall Mount Only)	_____
K-06	Splash Mount Faucet Mounting Kit	_____
K-134	Splash Mounted 3-1/2" Gooseneck Faucet (8" O.C.)	_____
K-411	Strainer Plate for 3-1/2" Drain	_____
K-472	Faucet Hole Revision (Manual Faucet Operated Sinks Only)	_____
K-449	5" Backsplash Modification (Used When Installing A Mirror Over An Ada Multi-Station Or Service Sink) Mirror Supplied By Others	_____
K-508	Special Sizing Charge (Larger Size Cut Down To Smaller Size)	_____
TA-19	Adjustable Stainless Steel Flanged Bullet Foot	_____



= Ships UPS

Standard Faucets conform to NSF 61 Standard 9 and compliance to AB 1953 Standards.



Customer Service Available To Assist You 1-800-645-3166 8:30 am - 7:00 pm E.S.T.

For Orders & Customer Service:

Email: customer@advancetabco.com or Fax: 631-242-6900

For Smart Fabrication™ Quotes:

Email: smartfab@advancetabco.com or Fax: 631-586-2933

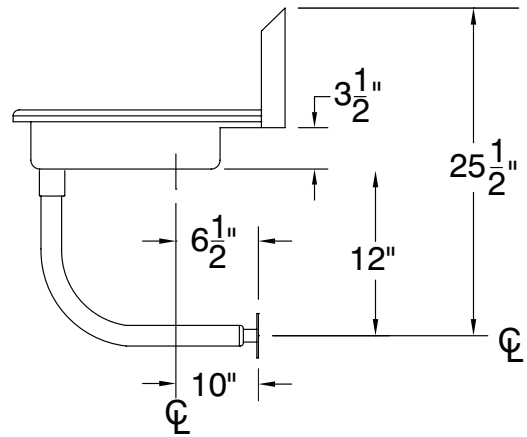
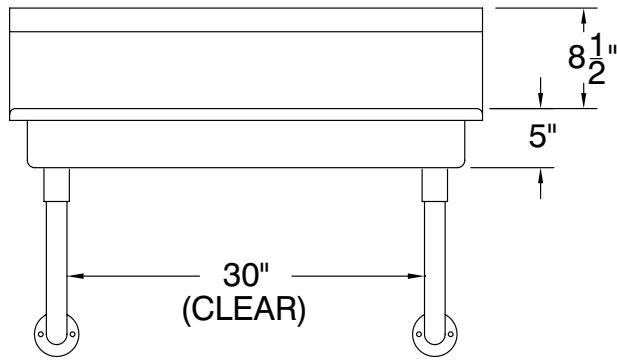
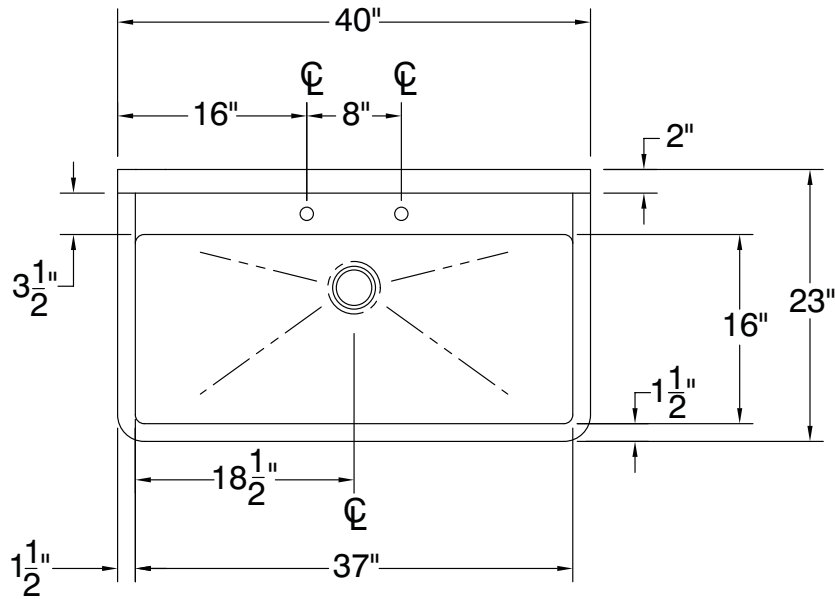
DETAILS and SPECIFICATIONS

TOL ± .500"

FITTINGS SUPPLIED AS SHOWN

ALL DIMENSIONS ARE TYPICAL

FC-WMD-FM-1-ADA



64 Lbs.



REF-JJ

325 Wireless Boulevard, Hauppauge, NY 11788

ADVANCE TABCO is constantly engaged in a program of improving our products. Therefore, we reserve the right to change specifications without prior notice.

© ADVANCE TABCO, SEPTEMBER 2021