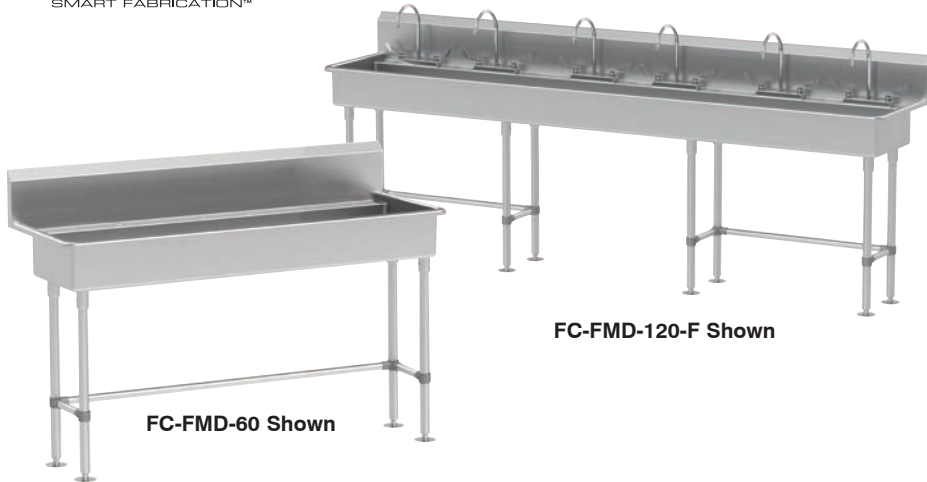




STAINLESS STEEL  
**16 GAUGE REAR-DECK  
 MULTI-STATION FLOOR MOUNTED SINK**



Item #: \_\_\_\_\_ Qty #: \_\_\_\_\_  
 Model #: \_\_\_\_\_  
 Project #: \_\_\_\_\_



**FEATURES:**

- 8 1/2" high backsplash.
- 8" sink bowl depth on Standard Series
- 5" sink bowl depth on A.D.A. Series
- Stainless steel "Z" brackets.
- 3 1/2" rear basket drains.
- Tubular stainless steel legs with flanged feet.
- Side & rear adjustable cross-bracing with leg clamps.
- "-F" Series includes K-134 8 1/2" gooseneck faucets with wrist handles.

**CONSTRUCTION:**

- All TIG welded.
- Welded areas blended to match adjacent surfaces and to a satin finish.

**MATERIAL:**

- All 16 gauge type "304" stainless steel.
- 1 5/8" tubular "304" stainless steel legs & cross-bracing.
- Stainless steel gussets.

**MECHANICAL:**

- 8" O.C. faucet holes punched in deck at each station.

STANDARD - 8" DEPTH			
# Of Stations	Without Faucet	Include Faucets	
2	FC-FMD-40	FC-FMD-40-F	2 Faucets
3	FC-FMD-60	FC-FMD-60-F	3 Faucets
4	FC-FMD-80	FC-FMD-80-F	4 Faucets
5	FC-FMD-100	FC-FMD-100-F	5 Faucets
6	FC-FMD-120	FC-FMD-120-F	6 Faucets

A.D.A. COMPLIANT - 5" DEPTH			
# Of Stations	Without Faucet	Include Faucets	
2	FC-FMD-40-ADA	FC-FMD-40-ADA-F	2 Faucets
3	FC-FMD-60-ADA	FC-FMD-60-ADA-F	3 Faucets
4	FC-FMD-80-ADA	FC-FMD-80-ADA-F	4 Faucets
5	FC-FMD-100-ADA	FC-FMD-100ADA-F	5 Faucets
6	FC-FMD-120-ADA	FC-FMD-120ADA-F	6 Faucets



8" O.C. Faucet Holes Provided In The Rear Deck



"-F" Models Include K-134 Gooseneck Faucets

**WARNING:** Equipment that include faucets on this page may contain a chemical known to the State of California to cause cancer, birth defects or other reproductive harm.

**Customer Service Available To Assist You 1-800-645-3166 8:30 am - 7:00 pm E.S.T.**

For Orders & Customer Service:  
 Email: [customer@advancetabco.com](mailto:customer@advancetabco.com) or Fax: 631-242-6900

For Smart Fabrication™ Quotes:  
 Email: [smartfab@advancetabco.com](mailto:smartfab@advancetabco.com) or Fax: 631-586-2933

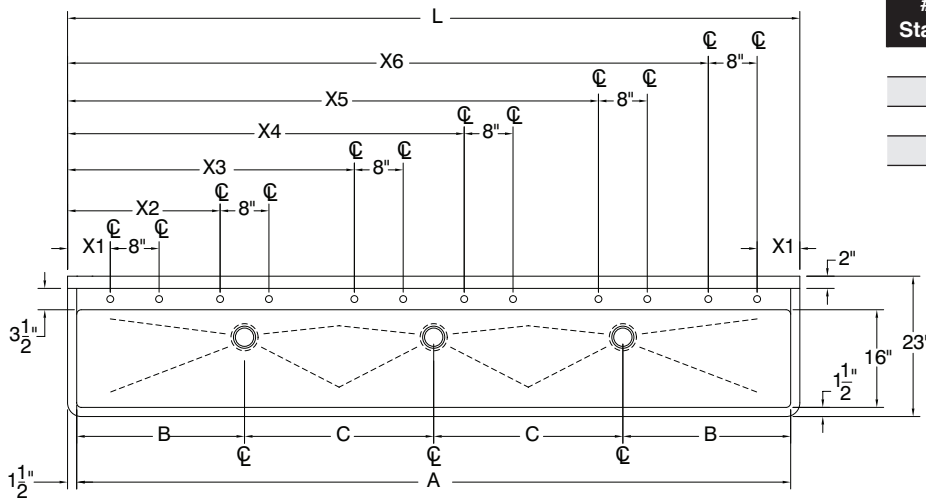
# DETAILS and SPECIFICATIONS

TOL ± .500"

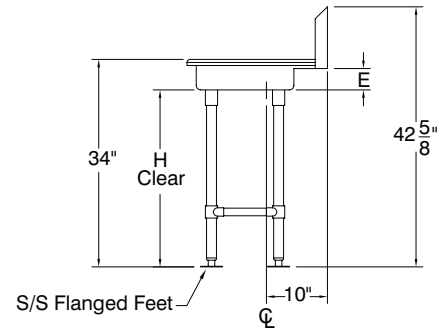
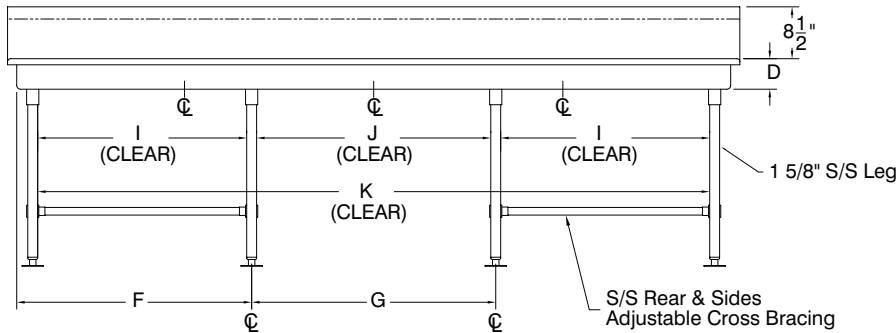
FITTINGS SUPPLIED AS SHOWN

ALL DIMENSIONS ARE TYPICAL

## FC-FM Series



FAUCET HOLE LOCATIONS						
# Of Stations	X1	X2	X3	X4	X5	X6
2	7"	25"	N/A	N/A	N/A	N/A
3	6"	26"	46"	N/A	N/A	N/A
4	7"	25"	47"	65"	N/A	N/A
5	7"	26 1/2"	46"	65 1/2"	85"	N/A
6	7"	25"	47"	65"	87"	105"



# Of Stations	L	Without Faucet	Includes Faucet	A	B	C	D	E	F	G	H	I	J	K	# Of Drains	Wt.	Cu.
<b>STANDARD - 8" DEPTH</b>																	
2	40"	FC-FMD-40	FC-FMD-40-F	37"	18 1/2"	N/A	8"	6 1/2"	N/A	N/A	26"	N/A	N/A	30"	1	90	29
3	60"	FC-FMD-60	FC-FMD-60-F	57"	28 1/2"	N/A	8"	6 1/2"	N/A	N/A	26"	N/A	N/A	50"	1	115	29
4	80"	FC-FMD-80	FC-FMD-80-F	77"	38 1/2"	N/A	8"	6 1/2"	N/A	N/A	26"	N/A	N/A	70"	1	137	56
5	100"	FC-FMD-100	FC-FMD-100-F	97"	27 1/2"	42"	8"	6 1/2"	38 3/4"	19 1/2"	26"	34 1/2"	19 1/2"	N/A	2	178	69
6	120"	FC-FMD-120	FC-FMD-120-F	117"	27 1/2"	31"	8"	6 1/2"	38 1/4"	40 9/16"	26"	34 1/4"	38 7/8"	N/A	3	210	81
<b>A.D.A. COMPLIANT - 5" DEPTH</b>																	
2	40"	FC-FMD-40-ADA	FC-FMD-40-ADA-F	37"	18 1/2"	N/A	5"	3 1/2"	N/A	N/A	29"	N/A	N/A	30"	1	90	20
3	60"	FC-FMD-60-ADA	FC-FMD-60-ADA-F	57"	28 1/2"	N/A	5"	3 1/2"	N/A	N/A	29"	N/A	N/A	50"	1	115	20
4	80"	FC-FMD-80-ADA	FC-FMD-80-ADA-F	77"	38 1/2"	N/A	5"	3 1/2"	N/A	N/A	29"	N/A	N/A	70"	1	137	56
5	100"	FC-FMD-100-ADA	FC-FMD-100ADA-F	97"	27 1/2"	42"	5"	3 1/2"	38 3/4"	19 1/2"	29"	34 1/2"	19 1/2"	N/A	2	178	69
6	120"	FC-FMD-120-ADA	FC-FMD-120ADA-F	117"	27 1/2"	31"	5"	3 1/2"	38 1/4"	40 9/16"	29"	34 1/4"	38 7/8"	N/A	3	210	81

